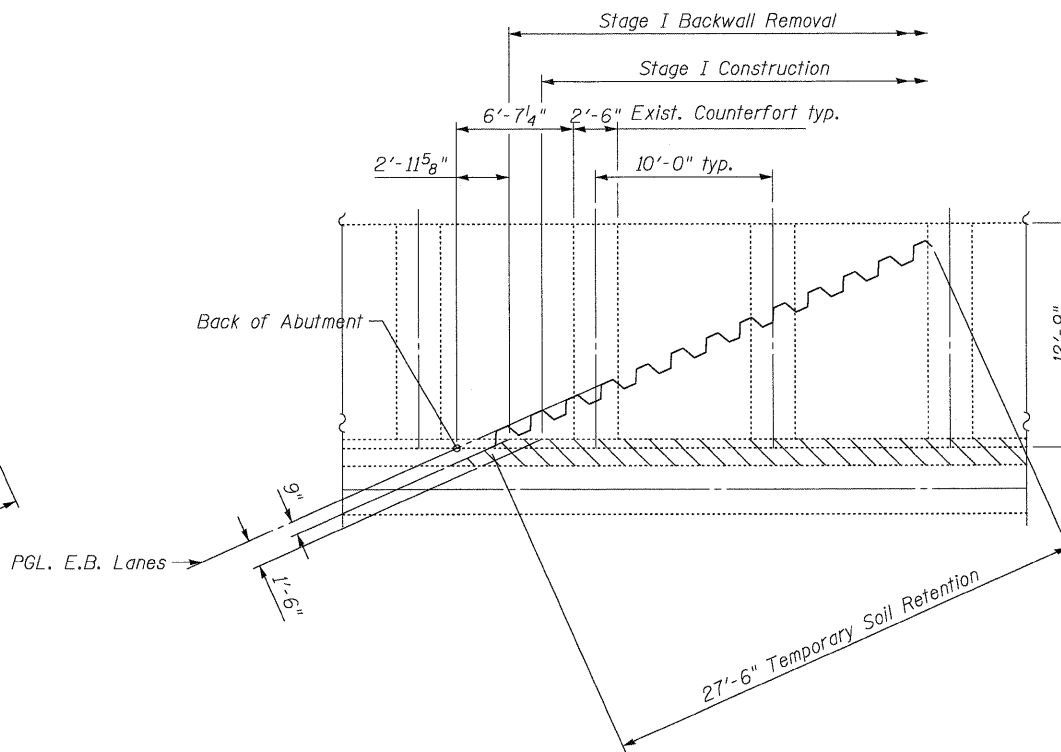
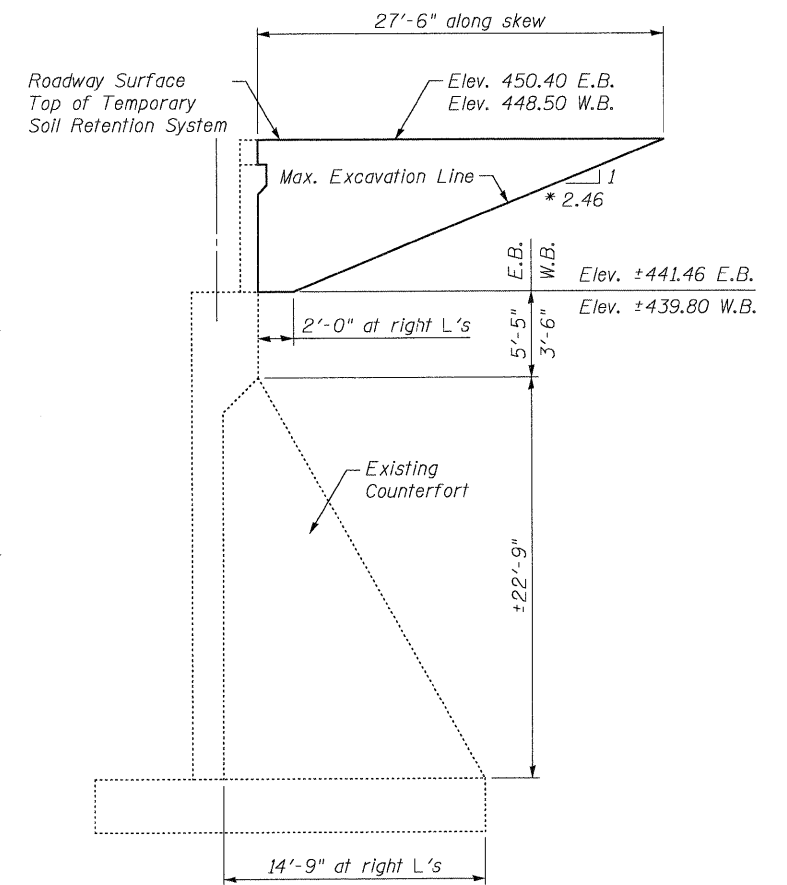


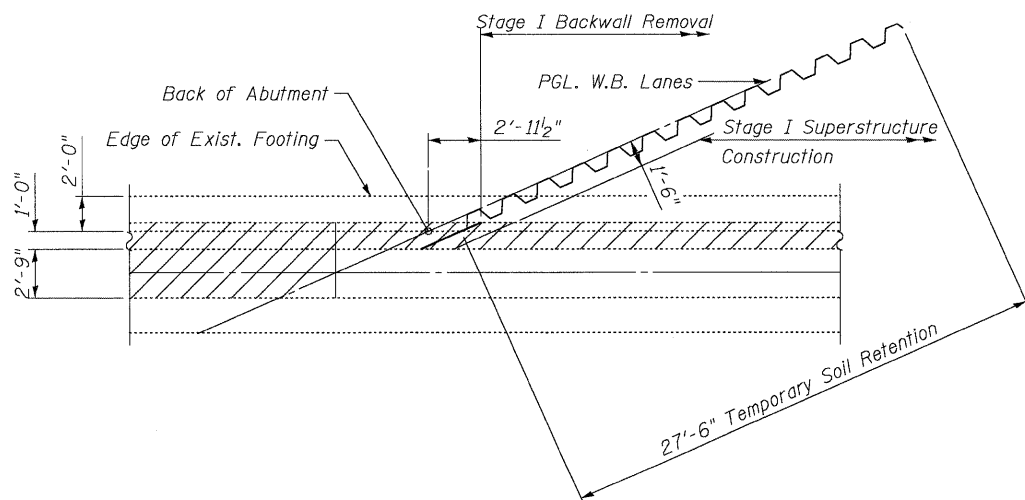
**PLAN WEST ABUTMENT - W.B. LANES**  
(Looking West)



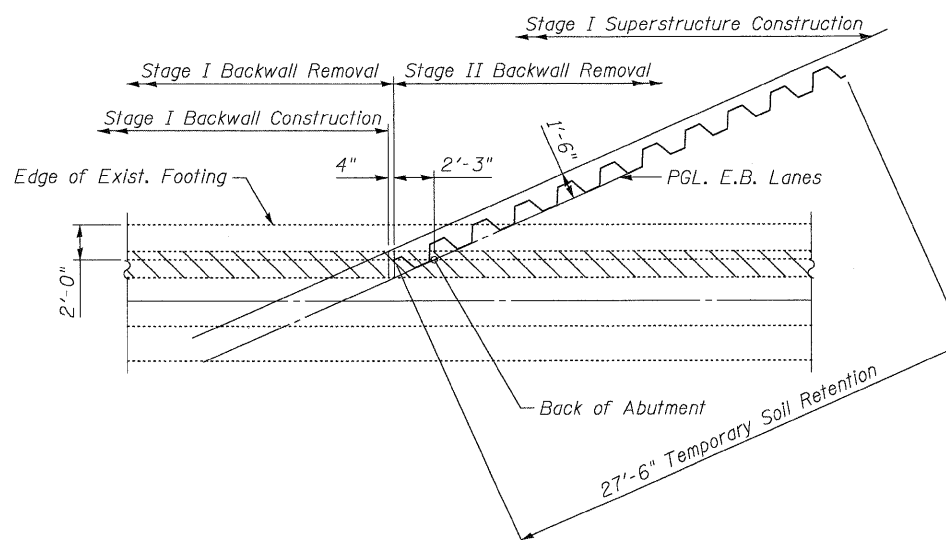
**PLAN WEST ABUTMENT - E.B. LANES**  
(Looking West)



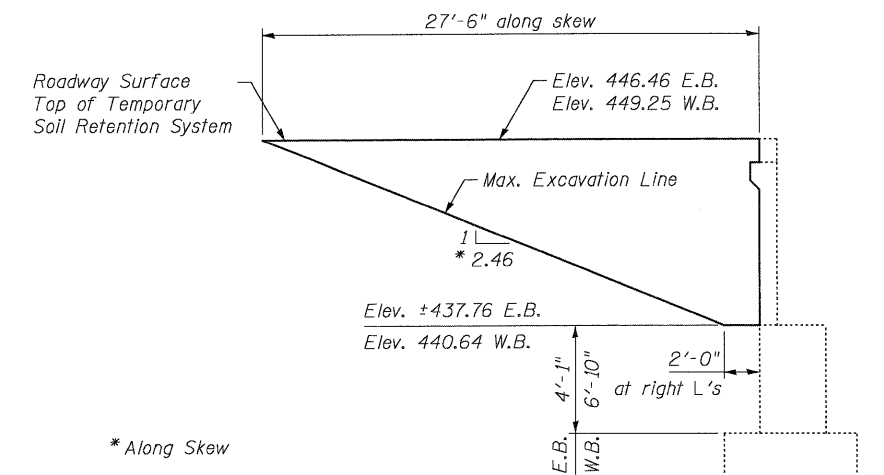
**SECTION THRU WEST ABUTMENTS**  
(Looking South)



**PLAN EAST ABUTMENT - W.B. LANES**  
(Looking East)



**PLAN EAST ABUTMENT - E.B. LANES**  
(Looking East)



**SECTION THRU EAST ABUTMENTS**  
(Looking South)

**TEMPORARY RETENTION DETAILS**  
**STRUCTURE NO. 082-0162 (EB)**  
**STRUCTURE NO. 082-0163 (WB)**

A cantilevered sheet piling design does not appear feasible and additional members or other retention systems may be necessary. The Contractor shall submit a temporary soil retention system design including plan details and calculations for review and acceptance by the Engineer.

**COOMBE-BLOXDORF P.C.**  
Engineers / Land Surveyors  
Springfield, Illinois  
Design Firm License No. 184-002703

PROJECT NO. 07004  
SCALE  
DATE / /  
DESIGN BY  
DRAWN BY CFC  
CHECKED BY MCB/GJB

SHEET NO. 4  
59 SHEETS

F.A.I. RTE.	SECTION	COUNTY	TOTAL SHEETS	SHEET NO.
64	82-2VB	ST. CLAIR	153	59
CONTRACT NO. 76867				
FED. ROAD DIST. NO.	ILLINOIS	FED. AID PROJECT		