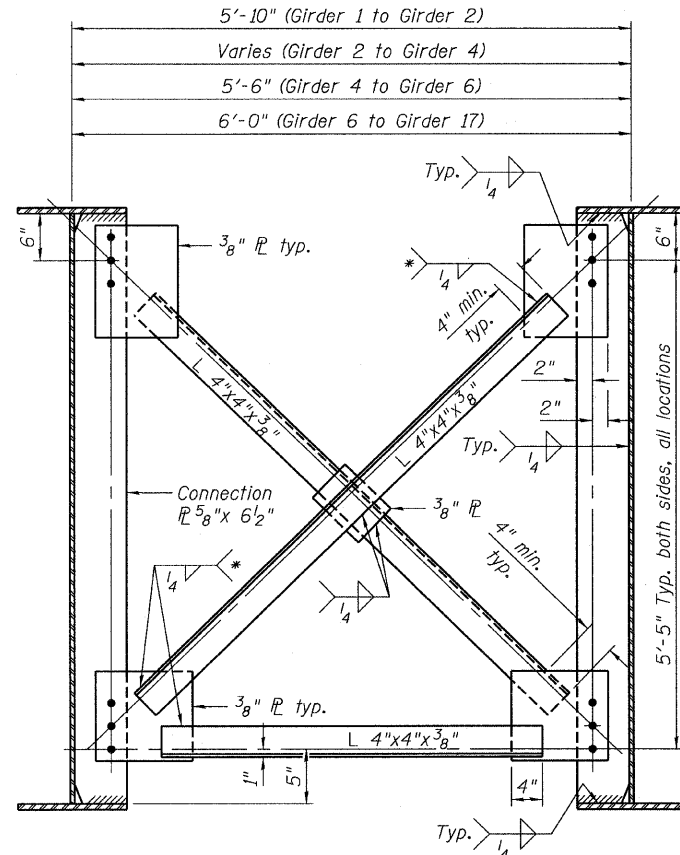


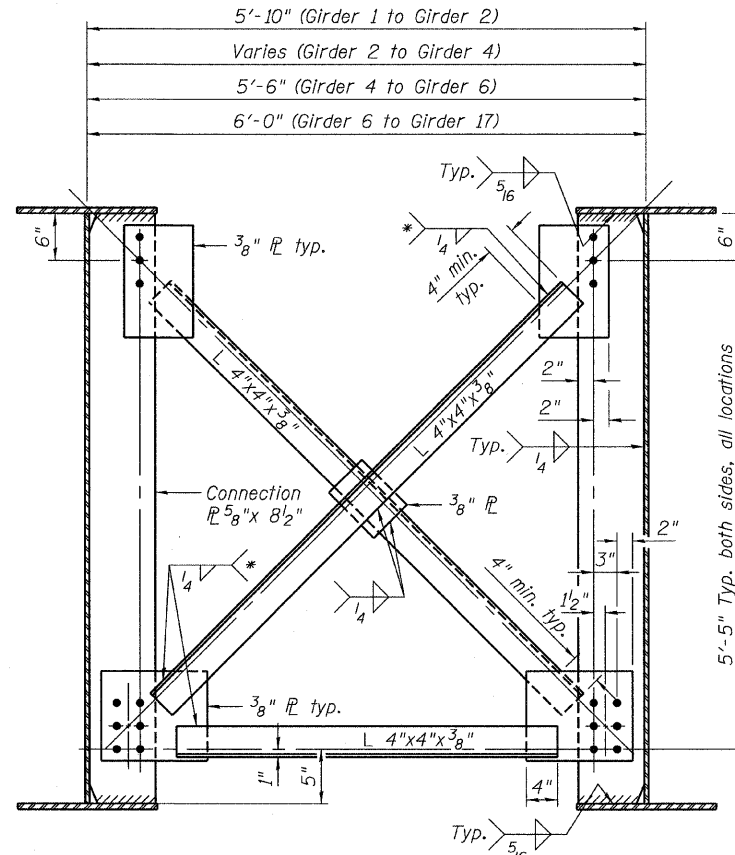
STATE OF ILLINOIS
DEPARTMENT OF TRANSPORTATION



INTERIOR CROSS FRAME CF1

(No. Req'd. = 98 EB, 112 WB)

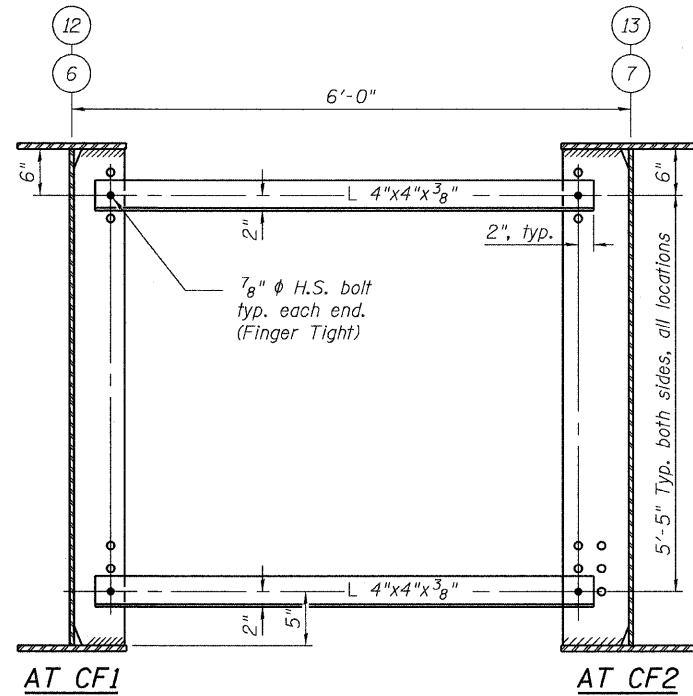
* Fillet weld angles along 3 sides on one face of gusset plate



INTERIOR CROSS FRAME CF2

(No. Req'd. = 42 EB, 48 WB)

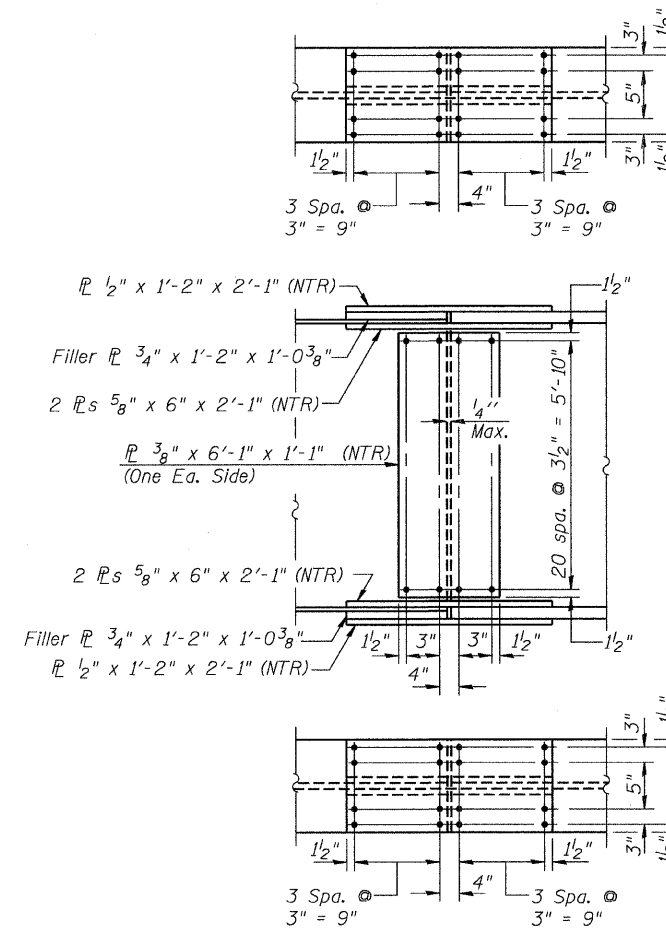
* Fillet weld angles along 3 sides on one face of gusset plate



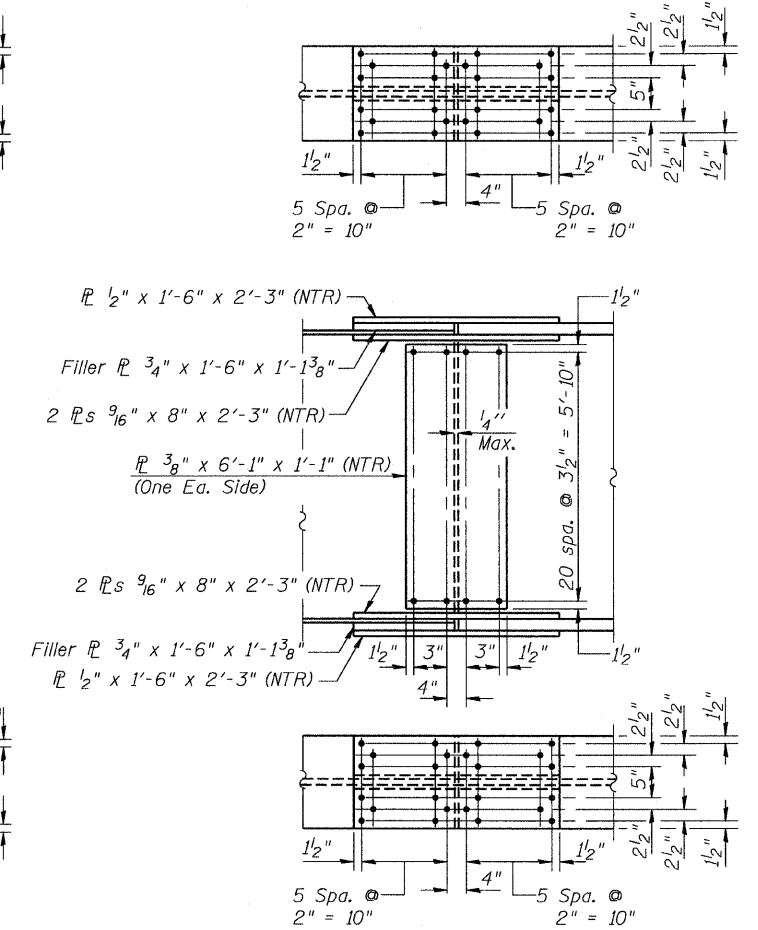
TEMPORARY ARTICULATED BRACING

(No. Req'd. = 8 EB, 8 WB)

See CF1 and CF2 for details not shown above.
After closure pour is complete, temporary braces shall be replaced by cross frames CF1 and CF2 as shown on framing plan.



FIELD SPLICE 1 & 4 DETAIL



FIELD SPLICE 2 & 3 DETAIL

Notes:
Use 7/8" phi H.S. bolts with 5/16" phi holes for all splice connections.
Load carrying components designated "NTR" shall conform to the Supplemental Requirements for Notch Toughness, Zone 2.
All splice plates shall be AASHTO M 270 Grade 50.
Use 3/4" phi H.S. bolts with 5/16" phi holes for all cross frame connections.
Two hardened washers required for each set of oversized holes.

DESIGNED	BWP/DJH
CHECKED	DJH/BWP
DRAWN	BWP/DJH
CHECKED	MJJ/BWP/KPC

**THOUVENOT,
WADE &
MOERCHEN, INC.**
SWANSEA • WATERLOO • EDWARDSVILLE • CARBONDALE • ST. CHARLES

CORPORATE OFFICE
4940 Old Collinsville Road
Swansea, Illinois 62226
Tel: 618.624.4488
Fax: 618.624.6688

SHEET NO. 33
59 SHEETS

F.A.I. RTE.	SECTION	COUNTY	TOTAL SHEETS	SHEET NO.
64	82-2VB-2	ST. CLAIR	153	88
CONTRACT NO. 76867				
FED. ROAD DIST. NO. 7 ILLINOIS FED. AID PROJECT				