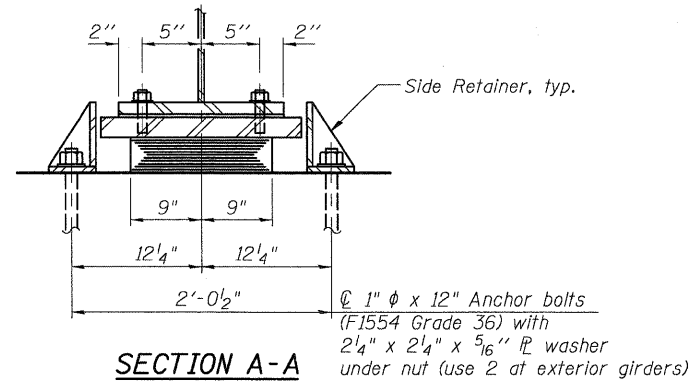
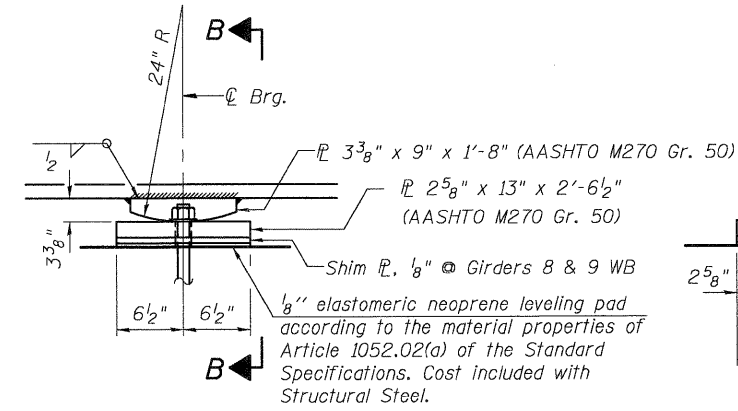


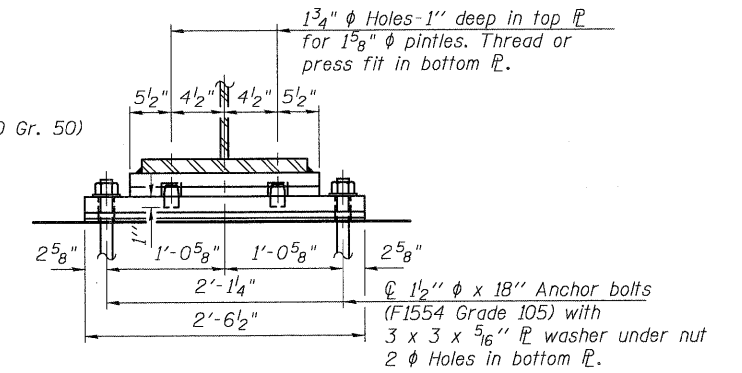
ELEVATION AT W. ABUT. (EB & WB)



SECTION A-A



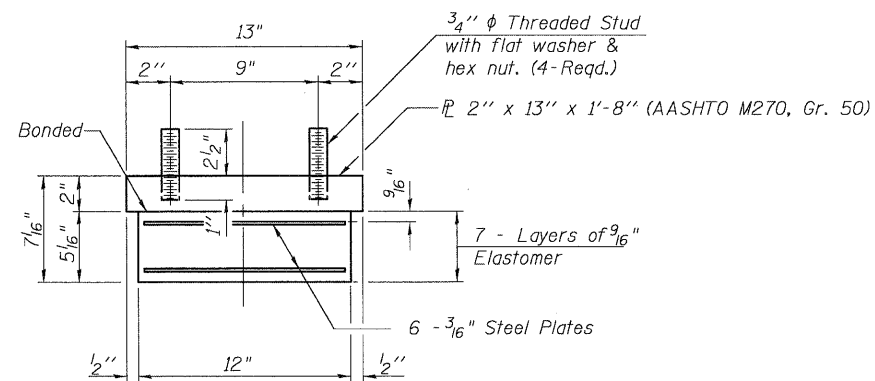
ELEVATION AT PIER #1 (EB & WB)



SECTION B-B

TYPE I ELASTOMERIC EXP. BRG.

FIXED BEARING



BEARING ASSEMBLY

Notes:

Anchor bolts shall be ASTM F1554 all-thread (or an Engineer-approved alternate material) of the grade(s) and diameter(s) specified. ASTM A307 Grade C anchor bolts may be used in lieu of ASTM F1554 Grade 36 (Fy=36ksi). The corresponding specified grade of AASHTO M314 anchor bolts may be used in lieu of ASTM F1554.

Anchor bolts at fixed bearings may be either cast in place or installed in holes drilled after the supported member is in place.

Anchor bolts for side retainers may be cast in place or installed in holes drilled before or after members are in place.

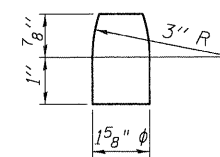
Drilled and set anchor bolts shall be installed according to Article 521.06 of the Standard Specifications.

Side retainers and other steel members required for the W. Abut. bearing assembly shall be included in the cost of Elastomeric Bearing Assembly, Type I.

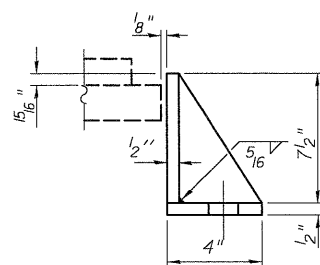
Two 1/8 in. adjusting shims shall be provided for each bearing in addition to all other plates or shims and placed as shown on bearing details.

Note:

Shim plates shall not be placed under Bearing Assembly.



PINTLE

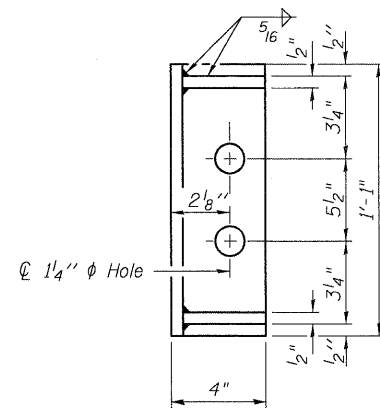


PLAN
(Interior Girders) (26 req'd.)

SIDE RETAINERS (W. ABUTS)

Equivalent rolled angle with stiffeners will be allowed in lieu of welded plates.

I-2E-1 10-1-08



PLAN
(Exterior Girders) (8 req'd.)

BILL OF MATERIAL

| Item | Unit | Total |
|-------------------------------------|------|-------|
| Elastomeric Bearing Assembly Type I | Each | 17 |
| Anchor Bolts, 1 1/2" phi | Each | 34 |
| Anchor Bolts, 1" phi | Each | 42 |

BEARING DETAILS
STRUCTURE NO. 082-0162 (E.B.)
STRUCTURE NO. 082-0163 (W.B.)

| | | | | | | | |
|---|-------------------|---------------------------|----------------|--------------------|------------------|-----------------------|--------------|
| COOMBE-BLOXDORF P.C. Engineers / Land Surveyors Springfield, Illinois Design Firm License No. 184-002703 | PROJECT NO. 07004 | SHEET NO. 35 59 SHEETS | F.A.I. RTE. 64 | SECTION 82-2VB | COUNTY ST. CLAIR | TOTAL SHEETS 153 | SHEET NO. 90 |
| | SCALE | | DATE 5/12/09 | CONTRACT NO. 76867 | | FED. ROAD DIST. NO. 7 | ILLINOIS |

USER NAME = CFC