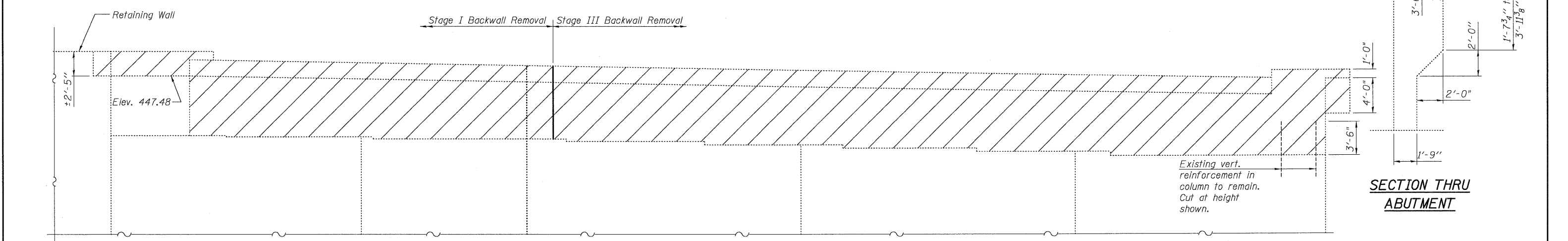


**PLAN**



**ELEVATION**

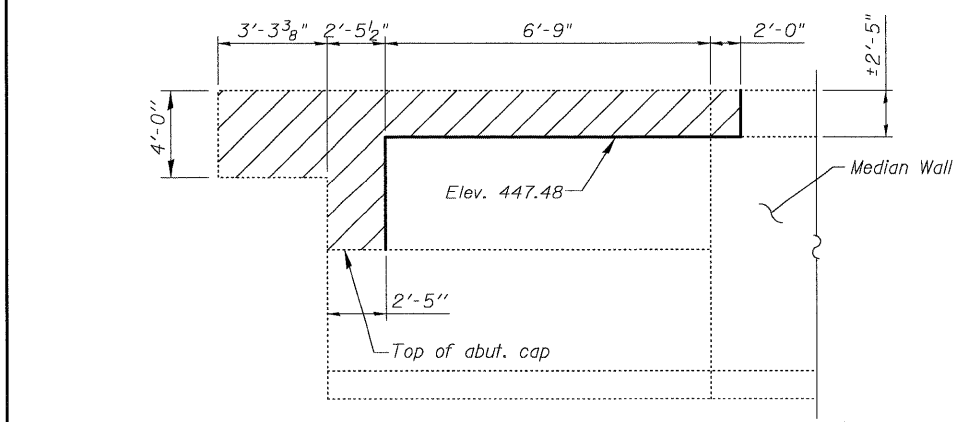
(Looking West)  
(median wall not shown)

**NOTES**

Hatched areas indicate Concrete Removal.  
Existing reinforcement not extending into the areas of new construction shall be cut at the removal line and removed. Exposed portion will be cleaned and coated with a layer of epoxy. Cost included with Concrete Removal.  
Existing reinforcement extending into the areas of new construction are to be cleaned, straightened and incorporated into the new construction. All reinforcement bars being reused that are damaged during concrete removal shall be replaced with an approved bar splicer or anchorage system. Cost included with Concrete Removal.

**BILL OF MATERIAL**

| ITEM             | UNIT    | QUANTITY |
|------------------|---------|----------|
| Concrete Removal | Cu. Yd. | 53.3     |



**Section A-A**  
(Showing wingwall removal)

**SECTION THRU ABUTMENT**

**CONCRETE REMOVAL DETAILS**  
**WEST ABUTMENT WB**  
**STRUCTURE NO. 082-0162 (E.B.)**  
**STRUCTURE NO. 082-0163 (W.B.)**

|  |   |                               |  |                                  |   |
|--|---|-------------------------------|--|----------------------------------|---|
| <b>COOMBE-BLOXDORF P.C.</b><br>Engineers / Land Surveyors<br>Springfield, Illinois<br>Design Firm License No. 184-002703 | PROJECT NO. 07004<br>SCALE<br>DATE 1/05/09<br>DRAWN BY TFG<br>CHECKED BY RM/MCB | SHEET NO. 38<br><br>59 SHEETS | F.A.I. RTE. 64<br>SECTION 82-2VB<br>COUNTY ST. CLAIR<br>CONTRACT NO. 76867 | TOTAL SHEETS 153<br>SHEET NO. 93 | FED. ROAD DIST. NO. 7 ILLINOIS FED. AID PROJECT |
|--|---|-------------------------------|--|----------------------------------|---|