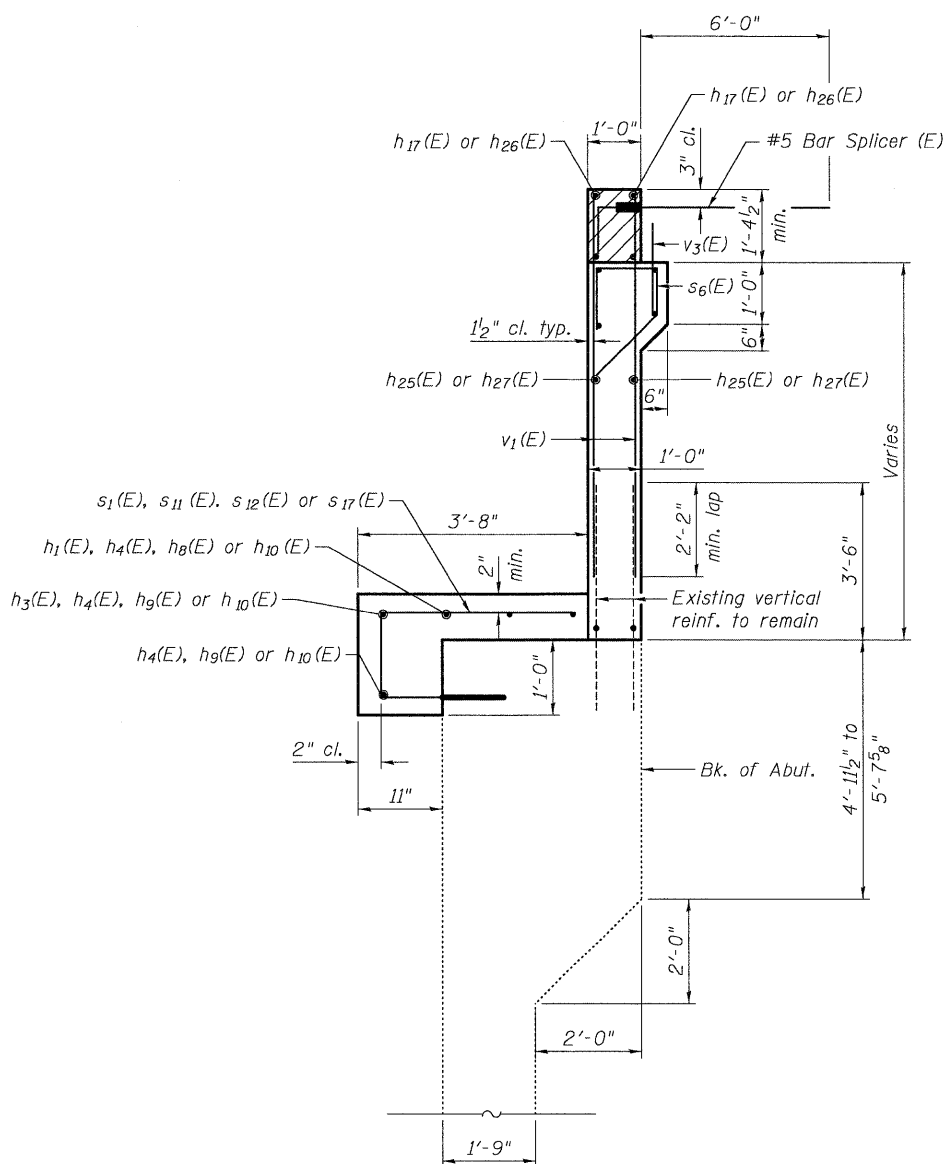
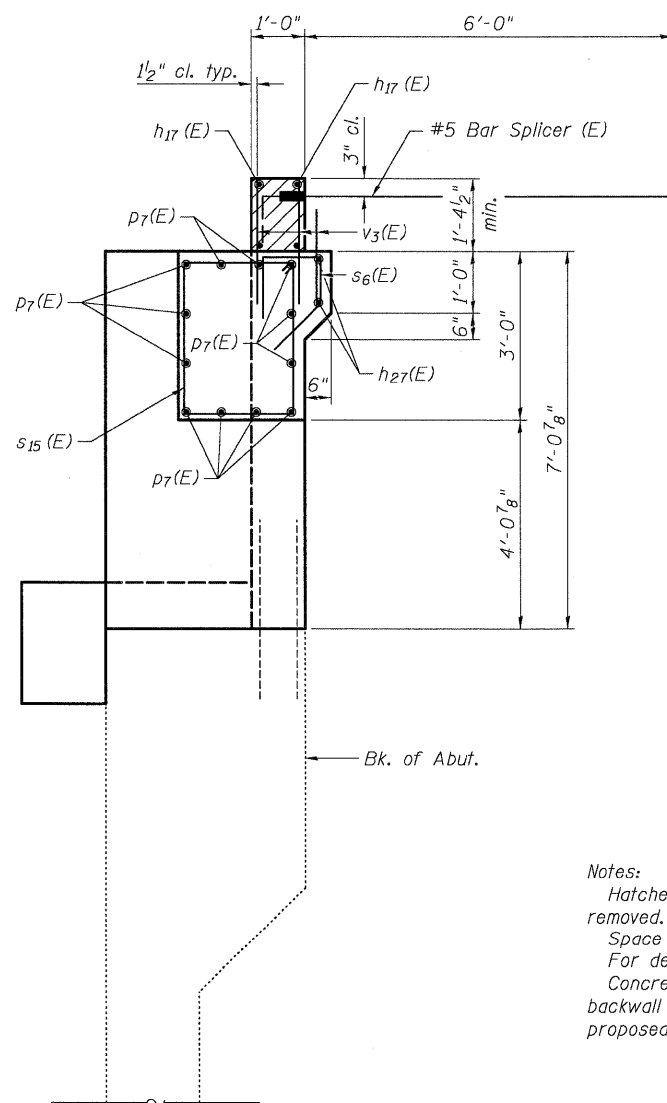


DETAIL C

West Abut. W.B. North End
(Hatched block not shown)



SECTION THRU ABUTMENT



SECTION A-A
(Hatched block shown)

BAR p8(E)

BAR d4(E)

BAR s6(E)

BAR s1(E), s11(E), s12(E) & s17(E)

BAR s13(E)

BAR	A
s1(E)	1'-8"
s11(E)	2'-1 1/2"
s12(E)	1'-3"
s17(E)	1'-9"

BAR s14(E)

BILL OF MATERIAL

Bar	No.	Size	Length	Shape
d4(E)	4	#5	7'-8"	U
h1(E)	12	#5	21'-1"	—
h3(E)	3	#5	27'-11"	—
h4(E)	14	#5	23'-8"	—
h8(E)	3	#5	18'-1"	—
h9(E)	4	#5	24'-2"	—
h10(E)	8	#5	22'-4"	—
h17(E)	8	#6	23'-4"	—
h25(E)	32	#5	22'-10"	—
h26(E)	12	#6	33'-3"	—
h27(E)	48	#5	33'-0"	—
h28(E)	4	#5	29'-11"	—
p7(E)	12	#7	9'-8"	—
p8(E)	4	#7	10'-4"	└
s1(E)	59	#4	6'-6"	└
s6(E)	137	#4	4'-7"	└
s11(E)	45	#4	7'-0"	└
s12(E)	10	#4	6'-1"	└
s13(E)	7	#4	12'-6"	└
s14(E)	7	#4	6'-6"	└
s15(E)	6	#4	9'-7"	└
s17(E)	15	#4	6'-7"	└
v1(E)	256	#5	7'-7"	—
v3(E)	155	#5	2'-2"	—
v5(E)	16	#5	6'-3"	—
Concrete Structures			Cu. Yd.	63.9
Reinforcement Bars, Epoxy Coated			Pound	8410
Bar Splicers			Each	77
Structure Excavation			Cu. Yd.	92
Concrete Sealer			Sq. Ft.	1,999

BAR s15(E)

Notes:
Hatched area to be poured after superstructure false work has been removed. Quantity of concrete included with Concrete Superstructure.
Space reinforcement in cap to miss anchor bolts.
For details of Bar Splicers, See Sheet 59 of 59.
Concrete sealer shall be applied to the front face of the proposed backwall and hatched area and to the top and front face of the proposed abutment cap.

WEST ABUTMENT WB
STRUCTURE NO. 082-0162 (E.B.)
STRUCTURE NO. 082-0163 (W.B.)

COOMBE-BLOXDORF P.C. Engineers / Land Surveyors Springfield, Illinois Design Firm License No. 184-002703	PROJECT NO. 07004 SCALE DATE 5/26/09 DRAWN BY TFG CHECKED BY RM/MCB	SHEET NO. 43 59 SHEETS	F.A.I. RTE. 64 SECTION 82-2VB COUNTY ST. CLAIR CONTRACT NO. 76867	TOTAL SHEETS 153 SHEET NO. 98
	FED. ROAD DIST. NO. 7 ILLINOIS FED. AID PROJECT			