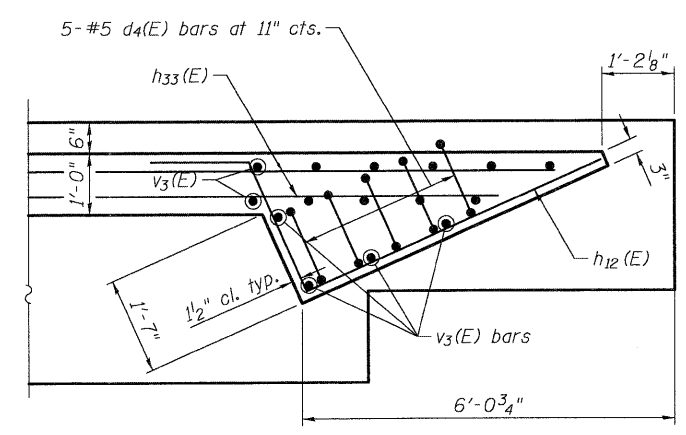


PLAN

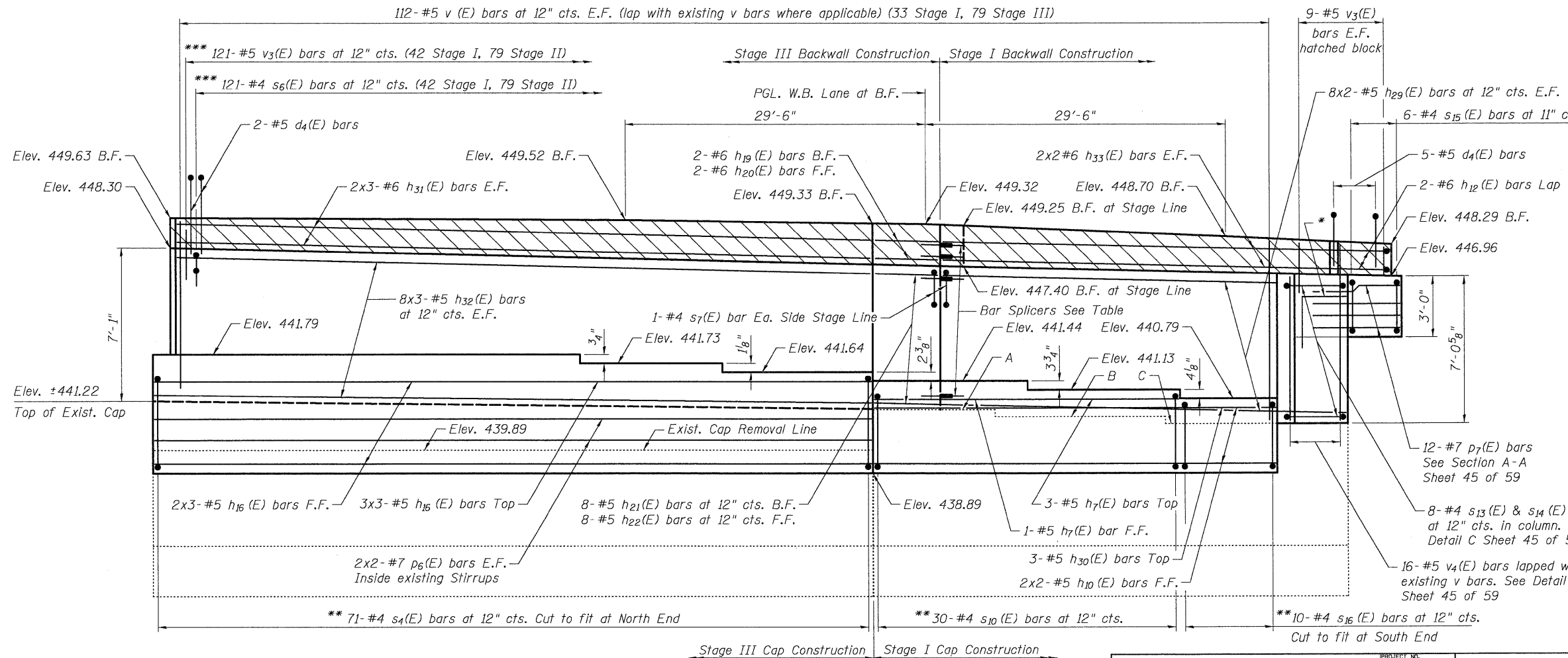


DETAIL D

East Abut. W.B. South End
(Showing hatched block reinf.)

TABLE OF EXISTING SEAT ELEVATIONS

A	440.64
B	440.29
C	439.90



ELEVATION
(Looking East)
(not showing median wall)

MIN. BAR LAPS

#4	2'-5"
#5	3'-0"
#6	3'-7"
#7	4'-10"

TABLE OF BAR SPLICERS

No.	Size	Bars Spliced
4	#6	h33(E)
16	#5	h29(E)
49	#5	Approach Pymt.

- * 4-#7 p8(E) bars lapped with p7(E) bars top. See Detail C.
- ** Epoxy grout #4 s4(E), s10(E) and s16(E) bars into 3/4" ϕ x 9" drilled holes. The center of the holes shall be drilled a minimum of 4" from the edge of existing concrete. See Section 584 of the Standard Specifications.
- *** See Section Thru Abutment Sheet 45 of 59

Notes:
See Sheet 45 of 59 for additional details, notes and Bill of Material.
See Sheet 48 of 59 for Detail A and Detail B.

EAST ABUTMENT WB
STRUCTURE NO. 082-0162 (EB)
STRUCTURE NO. 082-0163 (WB)

COOMBE-BLOXDORF P.C. Engineers / Land Surveyors Springfield, Illinois Design Firm License No. 184-002703	PROJECT NO. 07004 SCALE DATE 1/07/09 DRAWN BY TFG CHECKED BY RM/MCB	SHEET NO. 44 59 SHEETS	F.A.I. RTE. 64 SECTION 82-2VB COUNTY ST. CLAIR CONTRACT NO. 76867	TOTAL SHEETS 153 SHEET NO. 99
	FED. ROAD DIST. NO. 7 ILLINOIS FED. AID PROJECT			