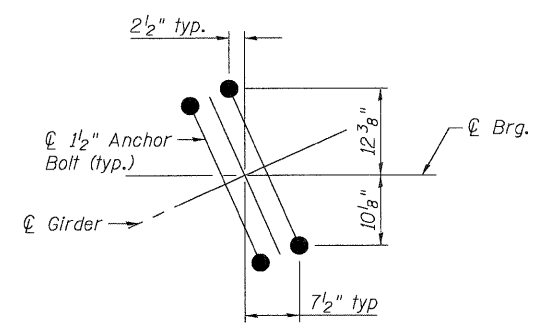
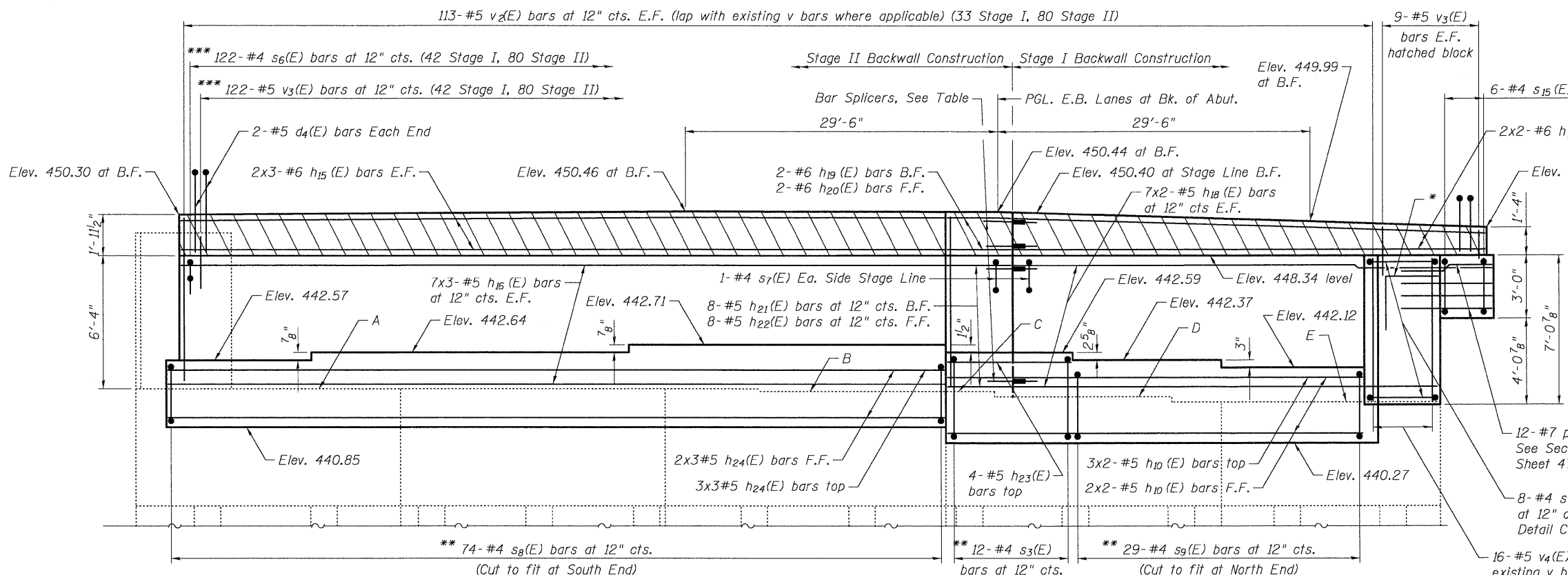


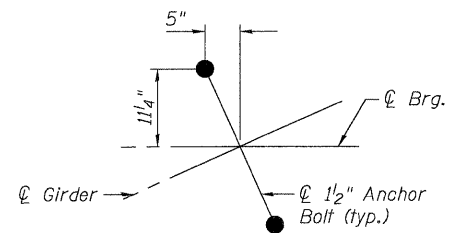
**PLAN**



**DETAIL A**  
(typ. exterior girders)



**ELEVATION**  
(Looking West)  
(median wall not shown)



**DETAIL B**  
(typ. interior girders)

**MIN. BAR LAPS**

#4	2'-5"
#5	3'-0"
#6	3'-7"

**TABLE OF EXISTING SEAT ELEVATIONS**

A	442.01
B	441.85
C	441.76
D	441.46
E	441.27

**TABLE OF BAR SPLICERS**

No.	Size	Bars Spliced
4	#6	h <sub>17</sub> (E)
14	#5	h <sub>18</sub> (E)
50	#5	Approach Pvmf.

\* 4-#7 p<sub>8</sub>(E) bars lapped with p<sub>7</sub>(E) bars top. See Detail C.  
 \*\* Epoxy grout #4 s<sub>3</sub>(E), s<sub>8</sub>(E) and s<sub>9</sub>(E) bars into 3/4" φ x 9" drilled holes. The center of the holes shall be drilled a minimum of 9" from the top and 4" from the edge of existing concrete. See Section 584 of the Standard Specifications.  
 \*\*\* See Section Thru Abutment Sheet 47 of 59

Note:  
See Sheet 47 of 59 for additional details, notes and Bill of Material.

**WEST ABUTMENT EB  
STRUCTURE NO 082-0162 (E.B.)  
STRUCTURE NO 082-0163 (W.B.)**

<b>COOMBE-BLOXDORF P.C.</b> Engineers / Land Surveyors Springfield, Illinois Design Firm License No. 184-002703	PROJECT NO. 07004 SCALE DATE 1/08/09 DRAWN BY TFG CHECKED BY RM/MCB	SHEET NO. 64 59 SHEETS	F.A.I. RTE. 64 SECTION 82-2VB COUNTY ST. CLAIR CONTRACT NO. 76867	TOTAL SHEETS 153 SHEET NO. 101	FED. ROAD DIST. NO. 7 ILLINOIS FED. AID PROJECT
--	---	---------------------------	--	-----------------------------------	--