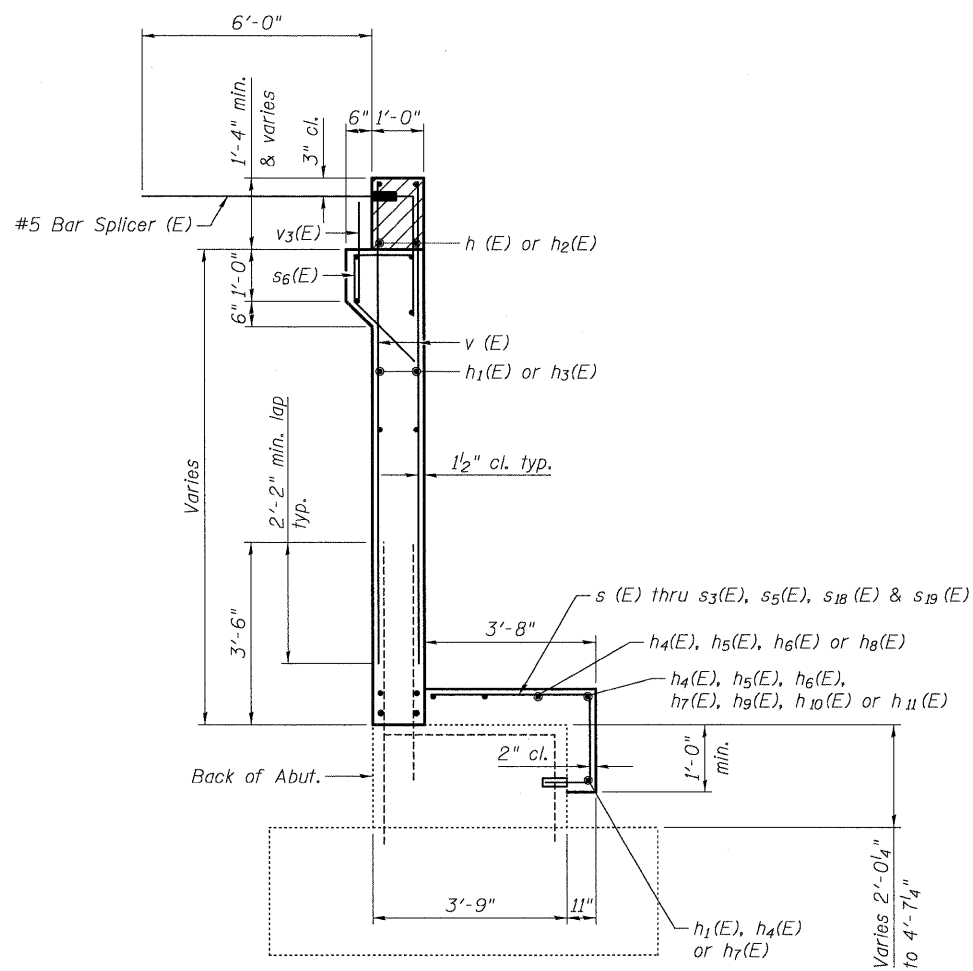
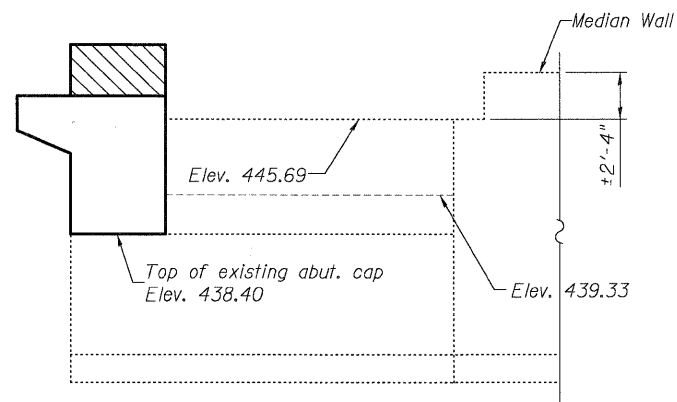


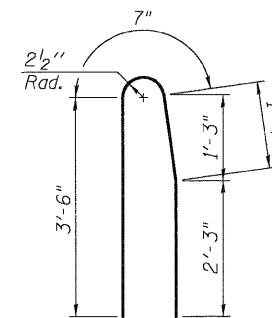
DETAIL C
East Abut. E.B. South End



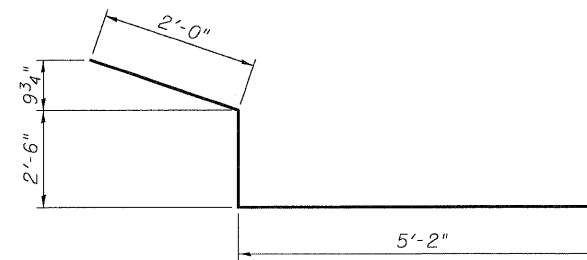
SECTION THRU ABUTMENT



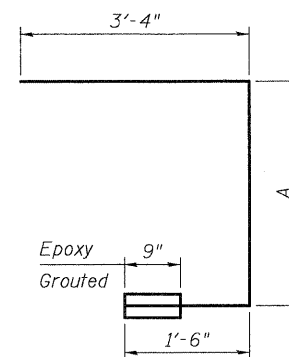
SECTION A-A



BAR d4(E)

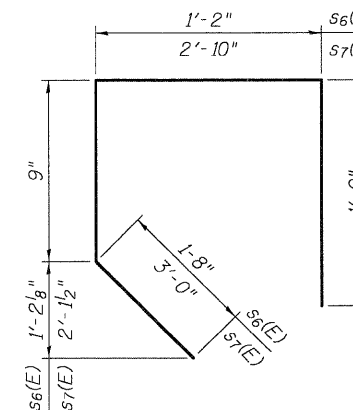


BARS h12(E) & h13(E)



BARS s(E) thru s3(E), s5(E), s18(E) & s19(E)

BAR	A
s(E)	2'-1"
s1(E)	1'-8"
s2(E)	2'-4"
s3(E)	1'-11"
s5(E)	1'-5"
s18(E)	2'-0"
s19(E)	2'-6"



BARS s6(E) & s7(E)

Notes:
Hatched area to be poured after superstructure false work has been removed. Quantity of concrete included with Concrete Superstructure. Space reinforcement in cap to miss anchor bolts. For details of Bar Splicers, See Sheet 59 of 59. Concrete sealer shall be applied to the front face of the proposed backwall and hatched area and to the top and front face of the proposed abutment cap.

BILL OF MATERIAL

Bar	No.	Size	Length	Shape
d4(E)	7	#5	7'-8"	U
h(E)	8	#6	21'-5"	—
h1(E)	34	#5	21'-1"	—
h2(E)	12	#6	28'-4"	—
h3(E)	42	#5	27'-11"	—
h4(E)	14	#5	23'-8"	—
h5(E)	8	#5	14'-4"	—
h6(E)	3	#5	15'-7"	—
h7(E)	2	#5	29'-10"	—
h8(E)	9	#5	18'-1"	—
h9(E)	2	#5	24'-2"	—
h10(E)	3	#5	22'-4"	—
h11(E)	3	#5	25'-3"	—
h12(E)	2	#6	9'-8"	U
h13(E)	7	#5	9'-8"	U
s(E)	14	#4	6'-11"	J
s1(E)	30	#4	6'-6"	J
s2(E)	15	#4	7'-2"	J
s3(E)	15	#4	6'-9"	J
s5(E)	9	#4	6'-3"	J
s6(E)	121	#4	4'-7"	J
s7(E)	1	#4	7'-7"	J
s18(E)	15	#4	6'-10"	J
s19(E)	15	#4	7'-4"	J
v(E)	246	#5	7'-9"	—
v3(E)	121	#5	2'-2"	—
Concrete Structures		Cu. Yd.	56.6	
Reinforcement Bars, Epoxy Coated		Pound	6,990	
Bar Splicers		Each	67	
Structure Excavation		Cu. Yd.	78	
Concrete Sealer		Sq. Ft.	1,750	

EAST ABUTMENT EB DETAILS
STRUCTURE NO. 082-0162 (EB)
STRUCTURE NO. 082-0163 (WB)

COOMBE-BLOXDORF P.C. Engineers / Land Surveyors Springfield, Illinois Design Firm License No. 184-002703	PROJECT NO. 07004 SCALE DATE 1/08/09 DRAWN BY TFG CHECKED BY RM/MCB	SHEET NO. 49	F.A.I. RTE.	SECTION	COUNTY	TOTAL SHEETS	SHEET NO.
		59 SHEETS	64	82-2VB	ST. CLAIR	153	104
			FED. ROAD DIST. NO. 7		ILLINOIS FED. AID PROJECT		
			CONTRACT NO. 76867				