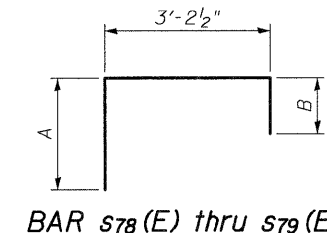
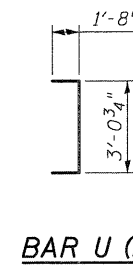
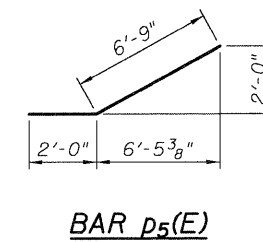


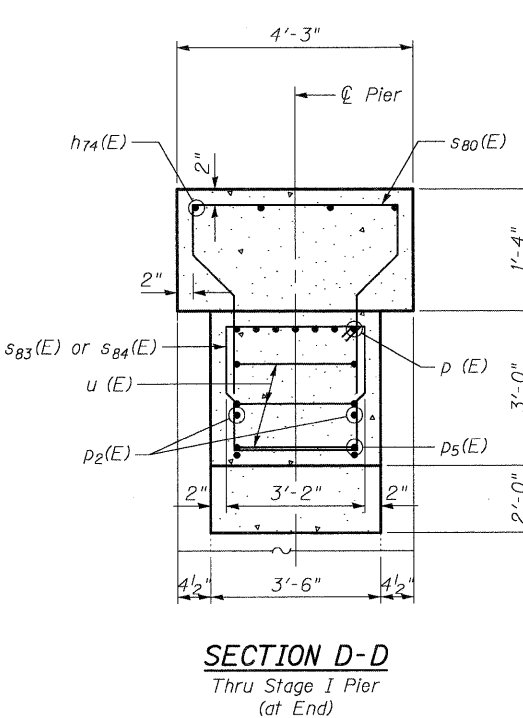
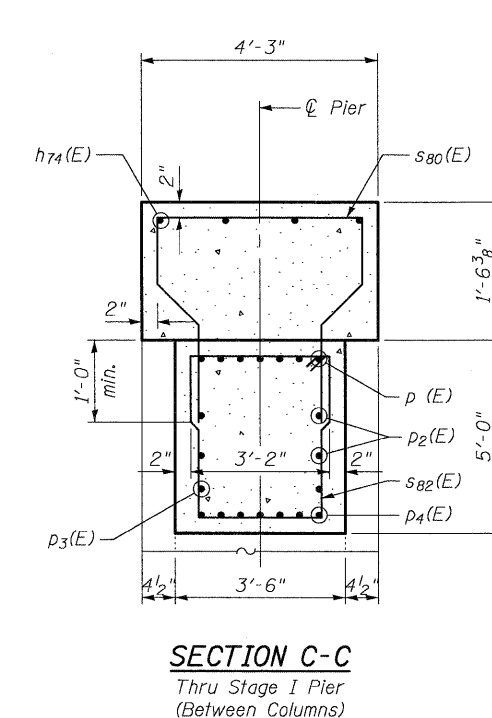
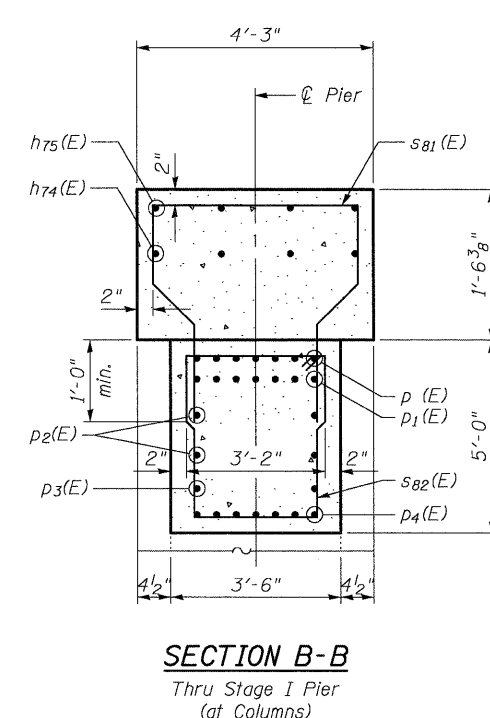
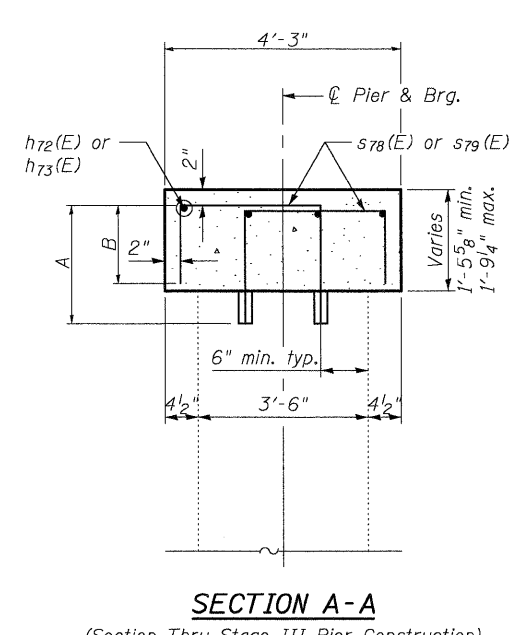
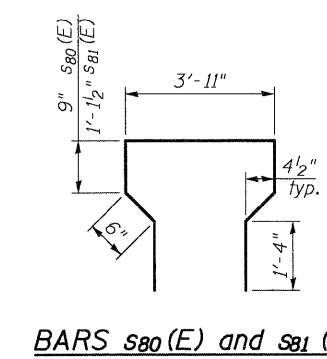
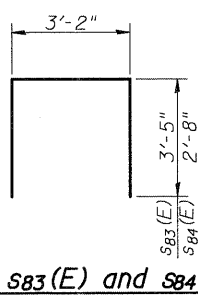
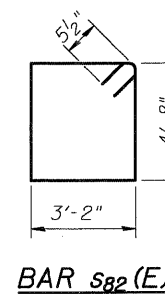
**BILL OF MATERIAL**

Bar	No.	Size	Length	Shape
h72(E)	4	#7	35'-6"	—
h73(E)	4	#7	37'-6"	—
h74(E)	4	#7	36'-8"	—
h75(E)	4	#7	11'-1"	—
p(E)	7	#11	36'-9"	—
p1(E)	14	#11	15'-0"	—
p2(E)	4	#5	36'-4"	—
p3(E)	2	#5	33'-9"	—
p4(E)	7	#10	29'-10"	—
p5(E)	3	#5	8'-9"	—
s78	72	#4	6'-5"	⌊
s79	76	#4	6'-9"	⌊
s80	26	#4	9'-1"	⌊
s81	12	#4	9'-10"	⌊
s82	28	#5	16'-7"	⌊
s83	16	#5	10'-0"	⌊
s84	16	#5	8'-6"	⌊
u(E)	3	#6	6'-5"	⌊
Concrete Structures		Cu. Yd.	50.8	
Reinforcement Bars, Epoxy Coated		Pound	6330	



**A & B DIMENSIONS**

Bar	A	B
s78(E)	2'-0 1/2"	1'-1 1/2"
s79(E)	2'-3"	1'-4"



**PIER 2 WB STRUCTURE**  
**STRUCTURE NO. 082-0162 (E.B.)**  
**STRUCTURE NO. 082-0163 (W.B.)**

<b>COOMBE-BLOXDORF P.C.</b> Engineers / Land Surveyors Springfield, Illinois Design Firm License No. 184-002703	PROJECT NO. 07004 SCALE DATE / / DESIGN BY MCB DRAWN BY CFC CHECKED BY MCB	SHEET NO. 52  59 SHEETS	F.A.I. RTE. 64 SECTION 82-2VB COUNTY ST. CLAIR CONTRACT NO. 76867	TOTAL SHEETS 153 SHEET NO. 107
	FED. ROAD DIST. NO. 7 ILLINOIS FED. AID PROJECT			

USER NAME = CFC