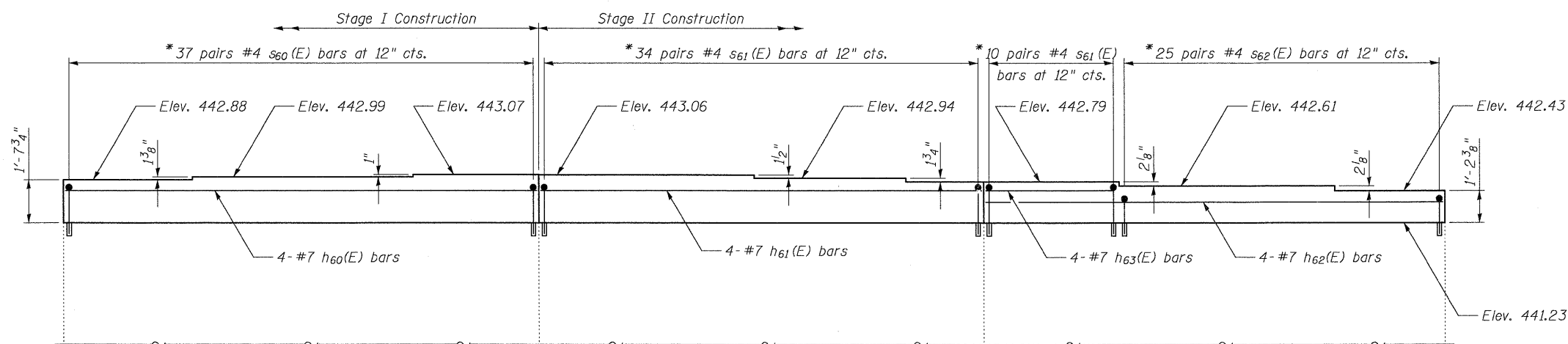


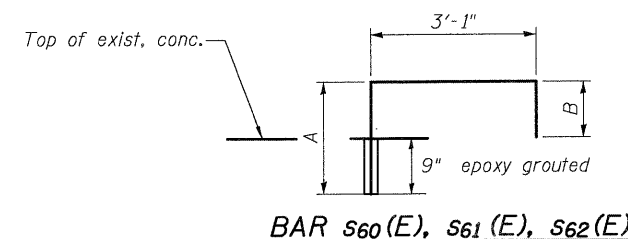
PLAN PIER 1

BILL OF MATERIAL

Bar	No.	Size	Length	Shape
h60(E)	4	#7	36'-2"	—
h61(E)	4	#7	33'-11"	—
h62(E)	4	#7	35'-1"	—
h63(E)	4	#7	10'-0"	—
s60(E)	74	#4	6'-7"	□
s61(E)	88	#4	6'-5"	□
s62(E)	50	#4	5'-9"	□
Concrete Structures		Cu. Yd.	26.0	
Reinforcement Bars, Epoxy Coated		Pound	1840	



ELEVATION PIER 1
(Looking East)

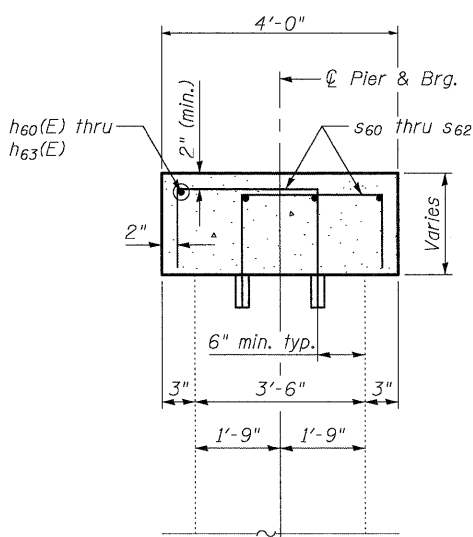


A & B DIMENSIONS

Bar	A	B
s60(E)	2'-2 1/2"	1'-3 1/2"
s61(E)	2'-1 1/2"	1'-2 1/2"
s62(E)	1'-9 1/2"	10 1/2"

* Epoxy grout s60(E) thru s62(E) bars into 3/4" x 9" min drilled holes. The center of the hole shall be drilled a minimum of 6" from the face of the remaining existing structure. See Section 584 of the Standard Specifications. Locate holes to miss existing reinforcement in cap. Offset holes for each pair of s60(E) thru s62(E) bars by 1/2".

Note:
See sheet 58 of 59 for concrete removal and repair details.



SECTION THRU PIER

COOMBE-BLOXDORF P.C. Engineers / Land Surveyors Springfield, Illinois Design Firm License No. 184-002703	PROJECT NO. 07004 SCALE DATE 5/12/09 DESIGN BY MCB DRAWN BY CFC CHECKED BY MCB	SHEET NO. 53 59 SHEETS	F.A.I. RTE. 64 SECTION 82-2VB COUNTY ST. CLAIR FEDERAL ROAD DIST. NO. 7 ILLINOIS	TOTAL SHEETS 153 SHEET NO. 108 CONTRACT NO. 76867 FED. AID PROJECT
--	---	---------------------------	---	---

PIER 1 EB STRUCTURE
STRUCTURE NO. 082-0162 (E.B.)
STRUCTURE NO. 082-0163 (W.B.)