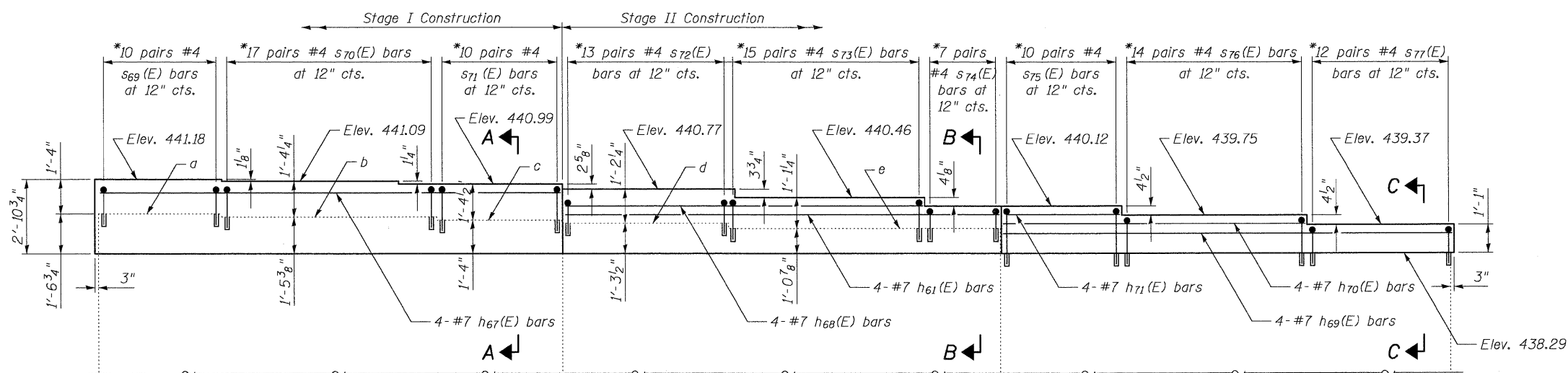


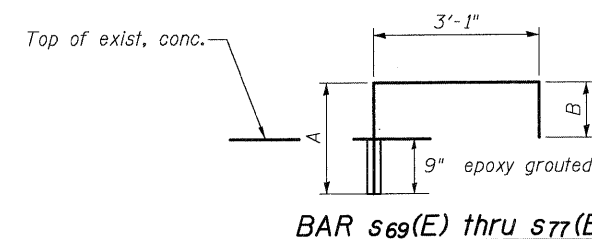
**PLAN PIER 2**

**BILL OF MATERIAL**

Bar	No.	Size	Length	Shape
h61(E)	4	#7	33'-10"	—
h67(E)	4	#7	36'-5"	—
h68(E)	4	#7	27'-10"	—
h69(E)	4	#7	35'-4"	—
h70(E)	4	#7	23'-7"	—
h71(E)	4	#7	9'-0"	—
s69(E)	20	#4	7'-3"	⌋
s70(E)	34	#4	7'-5"	⌋
s71(E)	20	#4	7'-6"	⌋
s72(E)	26	#4	6'-6"	⌋
s73(E)	30	#4	6'-9"	⌋
s74(E)	14	#4	6'-1"	⌋
s75(E)	20	#4	7'-2"	⌋
s76(E)	28	#4	6'-5"	⌋
s77(E)	24	#4	5'-8"	⌋
Concrete Structures	Cu. Yd.	25.4		
Reinforcement Bars, Epoxy Coated	Pound	2330		



**ELEVATION PIER 2**  
(Looking East)



**BAR s69(E) thru s77(E)**

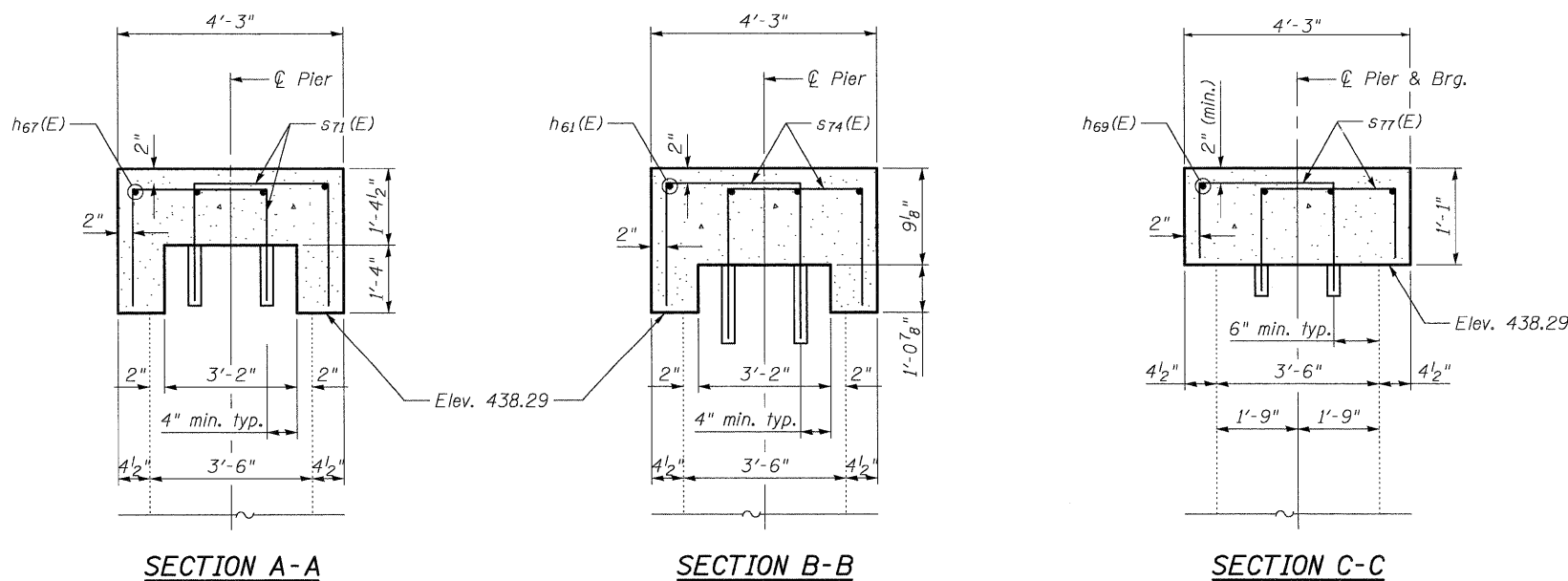
**A & B DIMENSIONS**

Bar	A	B
s69(E)	1'-8 1/2"	2'-4"
s70(E)	1'-10"	2'-4"
s71(E)	1'-11"	2'-4"
s72(E)	1'-5 1/2"	1'-10"
s73(E)	1'-8"	1'-10"
s74(E)	1'-4"	1'-6"
s75(E)	2'-5"	1'-6"
s76(E)	2'-0 1/2"	1'-1 1/2"
s77(E)	1'-8"	9"

**TABLE OF EXISTING SEAT ELEVATIONS**

a	439.85
b	439.74
c	439.62
d	439.58
e	439.36

\* Epoxy grout s69(E) thru s77(E) bars into 3/4" x 9" drilled holes. The center of the hole shall be drilled a minimum of 4" from the face of the existing structure. See Section 584 of the Standard Specifications. Locate holes to miss existing cap reinforcement. Offset holes for each pair of s69(E) thru s77(E) bars by 1/2".



Note:  
See sheet 58 of 59 for concrete removal and repair details.

**PIER 2 EB STRUCTURE**  
**STRUCTURE NO. 082-0162 (E.B.)**  
**STRUCTURE NO. 082-0163 (W.B.)**

<b>COOMBE-BLOXDORF P.C.</b> Engineers / Land Surveyors Springfield, Illinois Design Firm License No. 184-002703	PROJECT NO. 07004 SCALE DATE / / DESIGN BY MCB DRAWN BY CFC CHECKED BY MCB	SHEET NO. 54 59 SHEETS	F.A.I. RTE. 64 SECTION 82-2VB COUNTY ST. CLAIR FEDERAL ROAD DIST. NO. 7 ILLINOIS	TOTAL SHEETS 153 SHEET NO. 109 CONTRACT NO. 76867 FED. AID PROJECT
--	---	---------------------------	---	---