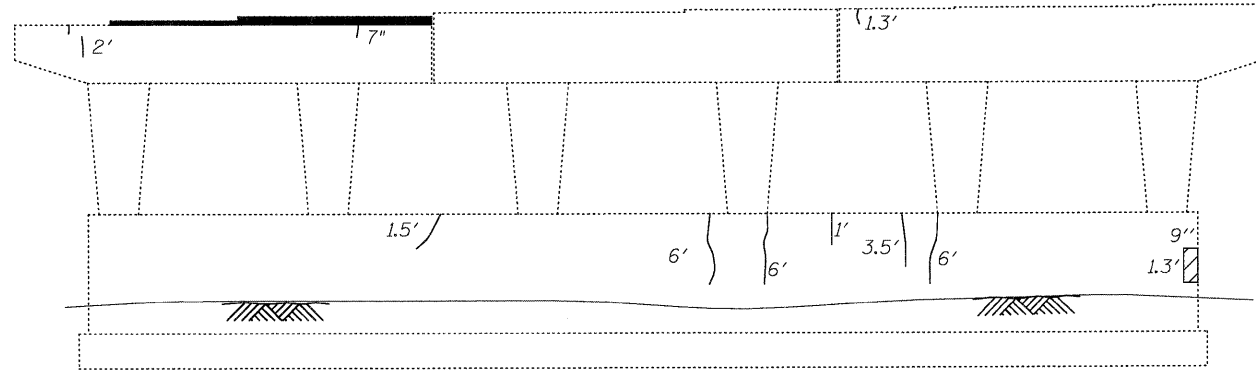
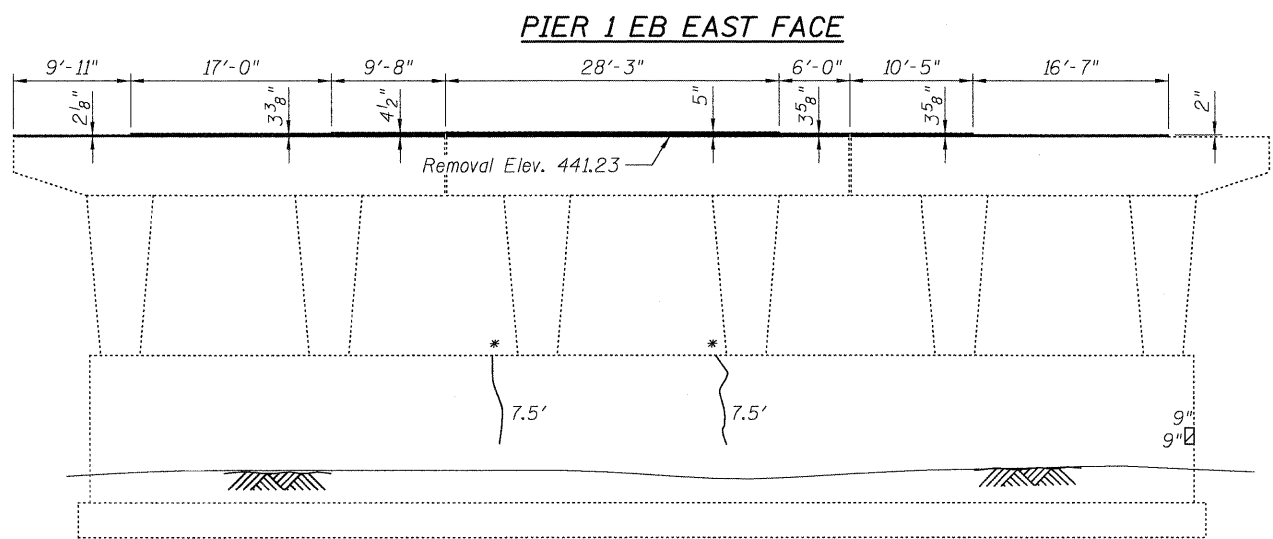


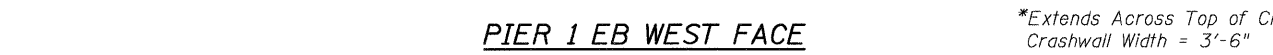
**N END CAP
PIER 1 EB**



PIER 2 EB EAST FACE

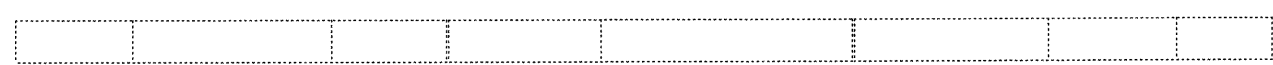


PIER 1 EB EAST FACE

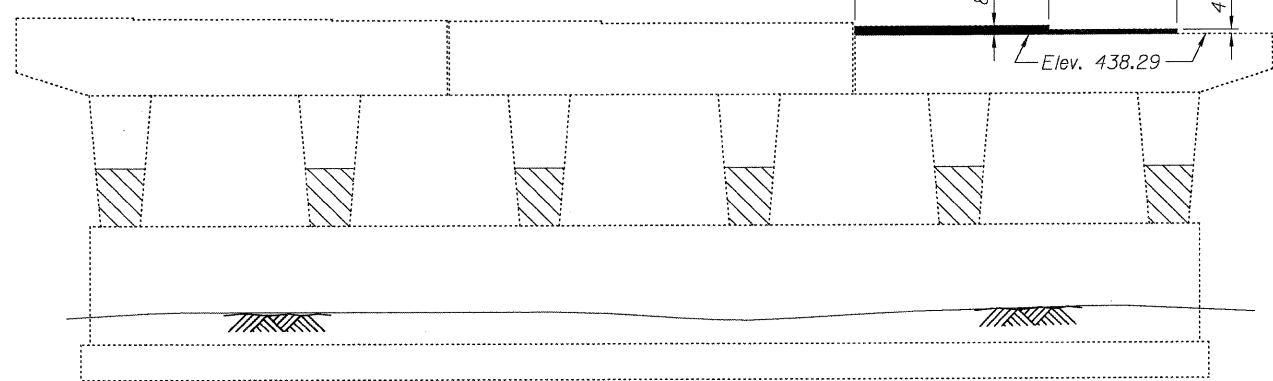


PIER 1 EB WEST FACE

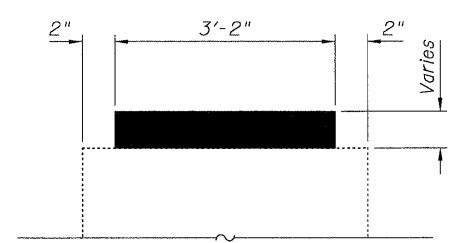
*Extends Across Top of Crashwall
Crashwall Width = 3'-6"



**TOP OF CAP
(Looking East)**



PIER 2 EB WEST FACE



VIEW A-A

- LEGEND**
- Previous Wrap Repair
 - Denotes Structural Repair of Concrete (Depth Equal to or Less Than 5")
 - Denotes Structural Repair of Concrete (Depth Greater Than 5")
 - Denotes Concrete Removal
 - Denotes Epoxy Crack Injection

**BILL OF MATERIAL
TWO PIERS**

Structural Repair of Concrete (Depth Equal to or Less Than 5")	Sq. Ft.	1.8
Structural Repair of Concrete (Depth Greater Than 5")	Sq. Ft.	1.0
Epoxy Crack Injection	Ft.	65
Concrete Removal	Cu. Yd.	5.3

**PIER CONCRETE REMOVAL
AND REPAIR DETAILS EB LANES
STRUCTURE NO. 082-0162 (E.B.)
STRUCTURE NO. 082-0163 (W.B.)**

COOMBE-BLOXDORF P.C. Engineers / Land Surveyors Springfield, Illinois Design Firm License No. 184-002703	PROJECT NO. 07004 SCALE DATE 1/09/09 DRAWN BY TFG CHECKED BY RM/MCB	SHEET NO. 58 59 SHEETS	F.A.I. RTE. 64 SECTION 82-2VB COUNTY ST. CLAIR CONTRACT NO. 76867	TOTAL SHEETS 153 SHEET NO. 113	FED. ROAD DIST. NO. 7 ILLINOIS FED. AID PROJECT
--	---	---------------------------	--	-----------------------------------	---

USER NAME = CFC.