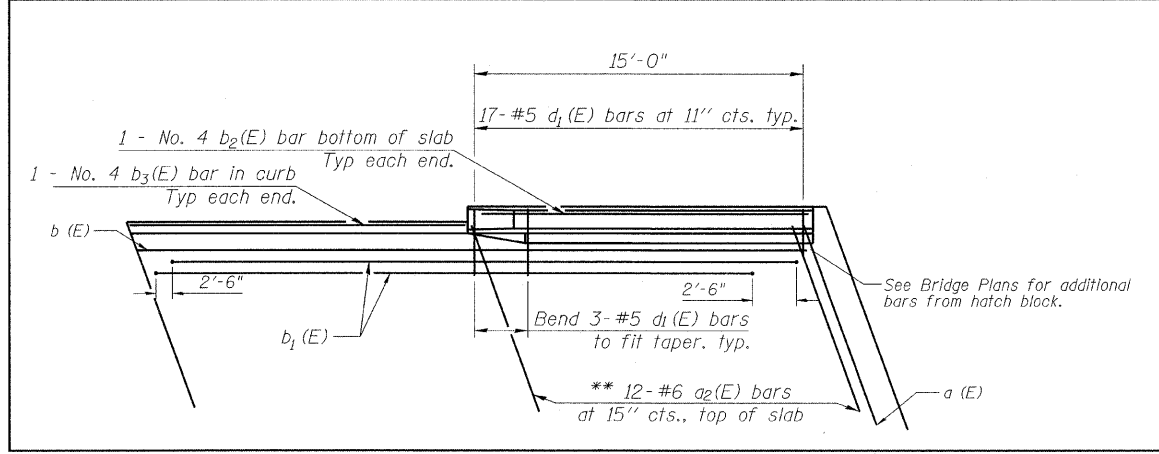


PLAN



INSET A

Notes:
 See Sheet 5 of 5 for Sections B-B, C-C, D-D, and E-E.
 See Sheet 18 of 59 of Bridge Plans for Top of Slab Elevations.
 See Sheet 40 of 59 of Bridge Plans for Wingwall Removal.
 * Tilt #9 b₁(E) bars as required to maintain clearance.
 ** Alternate with a(E) bars, typ. each parapet.
 *** Alternate with a(E) bars, typ. each curb.

FILE NAME =	USER NAME = mschwierjohn	DESIGNED - DRB	REVISED -
PA\0606018\dgn\CADD Sheets\0876876-sht-Details.approach pvmt (special)-003.dgn		DRAWN - DRB	REVISED -
PLOT SCALE = 4.7222' / IN.		CHECKED - SJK	REVISED -
PLOT DATE = 8/6/2009		DATE -	REVISED -

**STATE OF ILLINOIS
 DEPARTMENT OF TRANSPORTATION**

**MISCELLANEOUS DETAILS - BRIDGE APPROACH PAVEMENT (SPECIAL)
 EASTBOUND WEST SIDE - STRUCTURE NO. 082-0162**

F.A.I. RTE. 64	SECTION 82-2VB-2	COUNTY ST. CLAIR	TOTAL SHEETS 153	SHEET NO. 123
CONTRACT NO. 76867				
SCALE: SHEET NO. 3 OF 5 SHEETS STA. TO STA. FED. ROAD DIST. NO. 8 ILLINOIS FED. AID PROJECT				