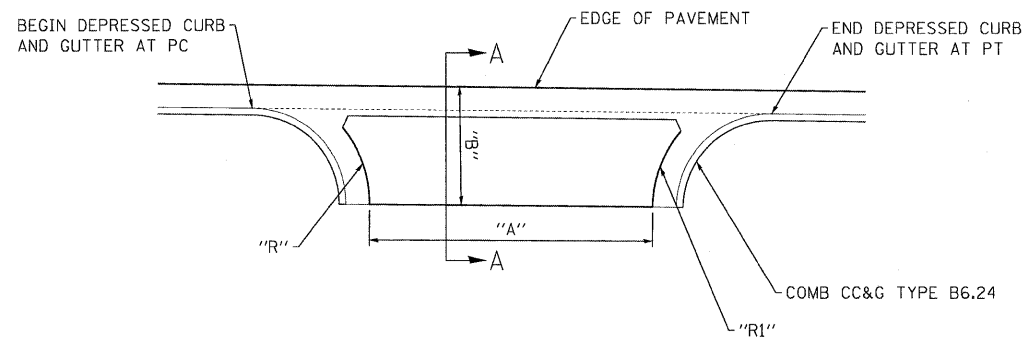
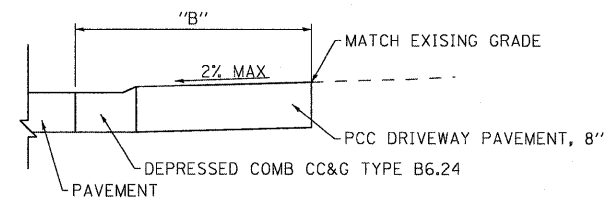


ENTRANCE SCHEDULE

STATION	OFFSET	ENTRANCE TYPE	A (FOOT)	B (FOOT)	C	R (FOOT)	R1 (FOOT)	PCC DRIVEWAY PAVT 8 (SQ YD)
BAUGH AVENUE								
13+41.8	LT	CE	22	34		20	20	90
TOTAL								90



TYPICAL COMMERCIAL ENTRANCE DETAIL
(NOT TO SCALE)



SECTION A-A

**STATE OF ILLINOIS
DEPARTMENT OF TRANSPORTATION**

SCHEDULE OF QUANTITIES

SCALE: NONE SHEET NO. 1 OF 5 SHEETS STA. ----- TO STA. -----

F.A.U. RTE.	SECTION	COUNTY	TOTAL SHEETS	SHEET NO.
9166/9180	82-1-10N	ST. CLAIR	68	11
FED. ROAD DIST. NO. ILLINOIS FED. AID PROJECT			CONTRACT NO. 76C38	

FILE NAME = DBTRI-76C38-sht-schedule-01-05.dgn	USER NAME = jdf	DESIGNED - LDC	REVISED -
MODEL NAME = DBTRI-76C38-sht-schedule-01		DRAWN -	REVISED -
PLOT SCALE = 1:1		CHECKED - GEB	REVISED -
PLOT DATE = 8/13/2009		DATE - 08/14/09	REVISED -

8/13/2009 10:34:16 AM

P:\08-0030 CTE TRILEVEL\000.CAD\021.DRAWINGS\04_CONTRACT\SHEET\CVL\GENERAL\DBTRI-76C38-SHT-SCHEDULE-01-05.DGN