
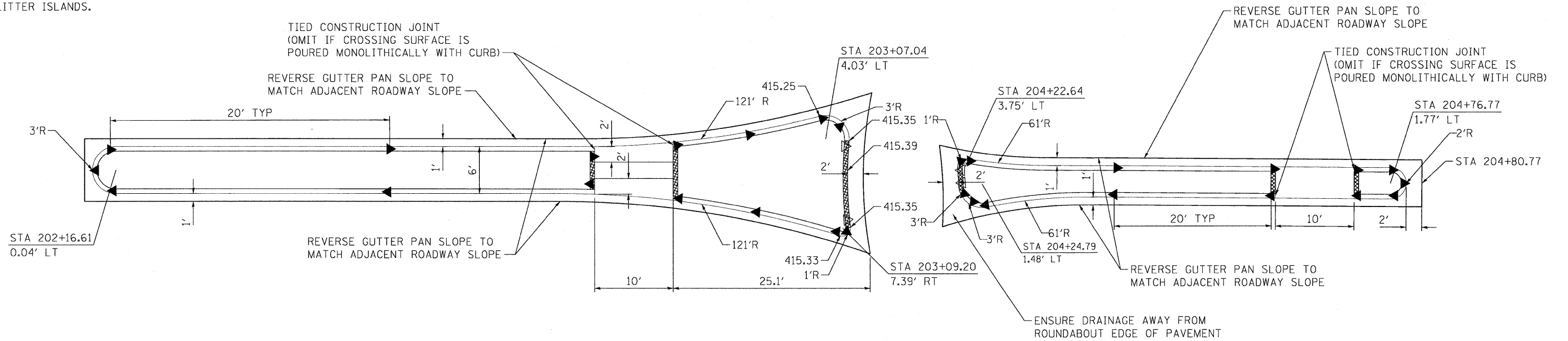


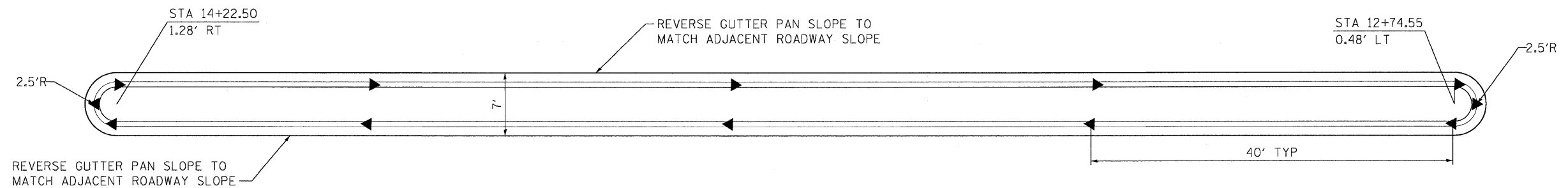
NOTES:

1. ALL RADII DIMENSIONED TO FACE OF CURB, UNLESS OTHERWISE NOTED.
2. ALL CURB AND GUTTER AT THE SPLITTER ISLANDS ARE COMBINATION CONCRETE CURB GUTTER, B6.12 OR B6.24.
3. PRISMATIC REFLECTORS SHALL BE MONO-DIRECTIONAL AND POSITIONED SO THAT THE REFLECTIVE FACE IS FACING THE APPROACHING TRAFFIC.
4. PRISMATIC REFLECTORS SHALL BE SECURED IN PLACE WITH AN EPOXY ADHESIVE.
5. PRISMATIC REFLECTORS SHALL BE CRYSTAL OR AMBER IN COLOR.
6. CURB FACE AND TOP SHALL BE PAINTED IN ACCORDANCE WITH SECTION 780.06 OF THE "STANDARD SPECIFICATIONS FOR ROAD AND BRIDGE CONSTRUCTION." ALL CURBS SHALL BE PAINTED YELLOW UNLESS NOTED.  
 WHITE CURB FACE AND TOPS
7. SEE PAVEMENT MARKING PLANS FOR PAVEMENT MARKINGS IN THE VICINITY OF THE SPLITTER ISLANDS.

- ▷ ONE-WAY CRYSTAL PRISMATIC CURB REFLECTOR
- ▶ ONE-WAY AMBER PRISMATIC CURB REFLECTOR



SPLITTER ISLAND DETAILS  
(NOT TO SCALE)



ST. CLAIR AVENUE MEDIAN DETAIL  
(NOT TO SCALE)

8/13/2009 10:38:34 AM

FILE NAME = DBTRI-76C38-sht-intersect-01-06.dgn	USER NAME = jdf	DESIGNED - LDT	REVISED -
MODEL NAME = DBTRI-76C38-sht-intersect-04	DRAWN - SMS	REVISIONS	
PLOT SCALE = 1:20	CHECKED - GEB	REVISIONS	
PLOT DATE = 8/13/2009	DATE - 08/14/09	REVISIONS	

STATE OF ILLINOIS  
DEPARTMENT OF TRANSPORTATION

SPLITTER ISLAND DETAIL PLAN

SCALE: 1"=20' SHEET NO. 1 OF 1 SHEETS STA. ----- TO STA. -----

F.A.U. RTE.	SECTION	COUNTY	TOTAL SHEETS	SHEET NO.
9166/9180	82-1-10N	ST. CLAIR	68	36
FED. ROAD DIST. NO. [ILLINOIS] FED. AID PROJECT			CONTRACT NO. 76C38	