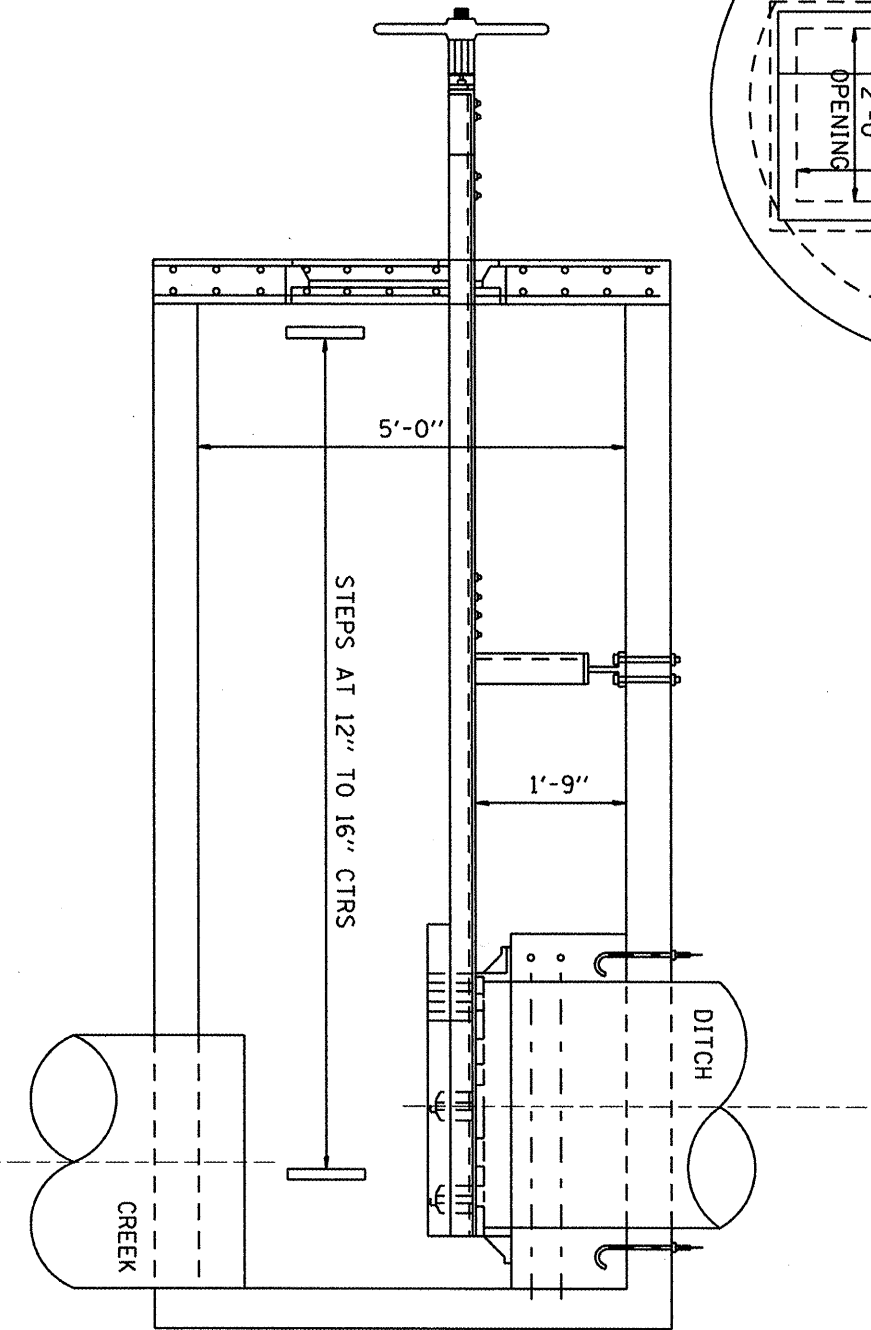
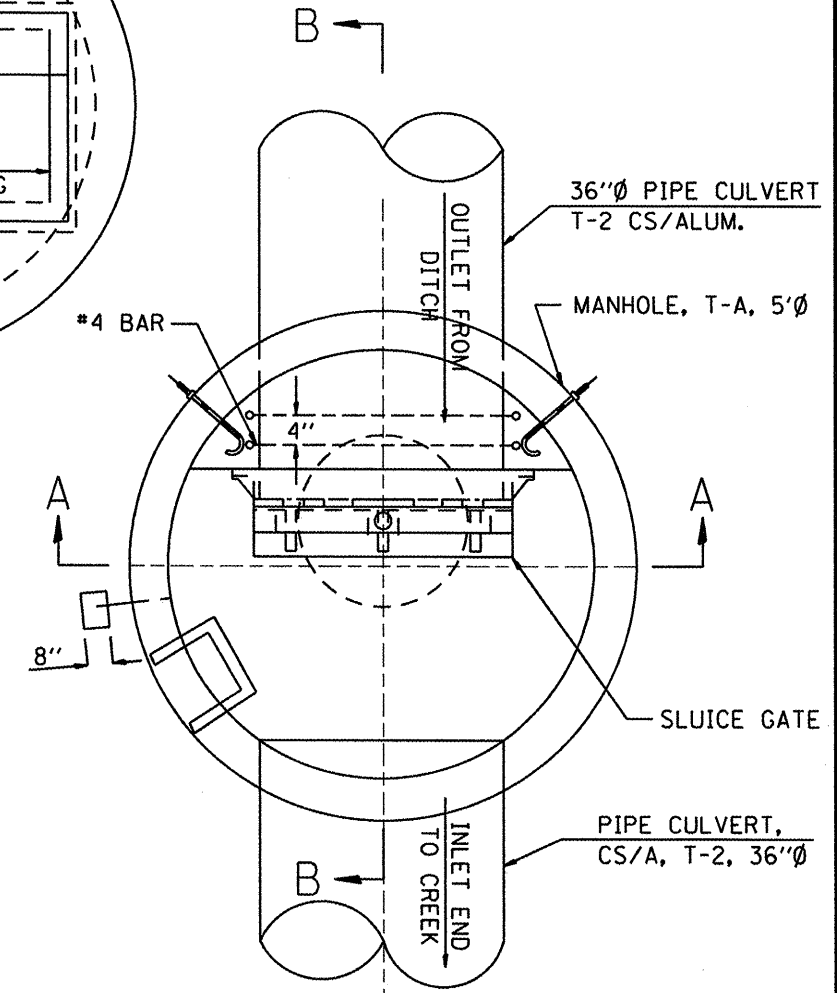
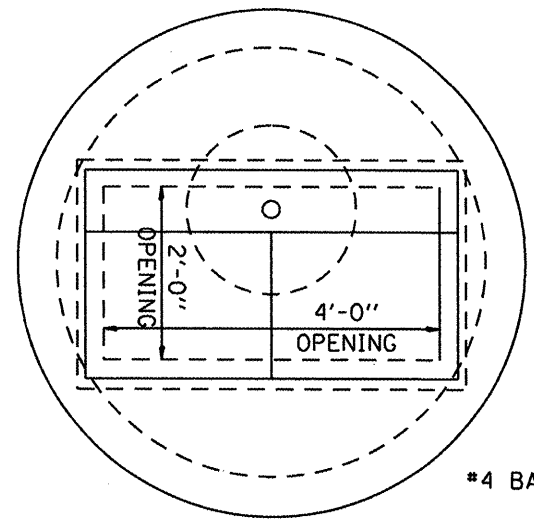


SECTION A-A



SECTION B-B



FILE NAME =	USER NAME = #USER#	DESIGNED -	REVISD -
#FILEL#		DRAWN -	REVISD -
	PLOT SCALE = #SCALE#	CHECKED -	REVISD -
	PLOT DATE = #DATE#	DATE -	REVISD -

**STATE OF ILLINOIS
DEPARTMENT OF TRANSPORTATION**

DETAIL SHEET

SCALE: _____ SHEET NO. _____ OF _____ SHEETS STA. _____ TO STA. _____

F.A.J. RTE.	SECTION	COUNTY	TOTAL SHEETS	SHEET NO.
295	82-11-2	SI. CLAIR	5	5
CONTRACT NO. 76C77				
ILLINOIS FED. AID PROJECT				