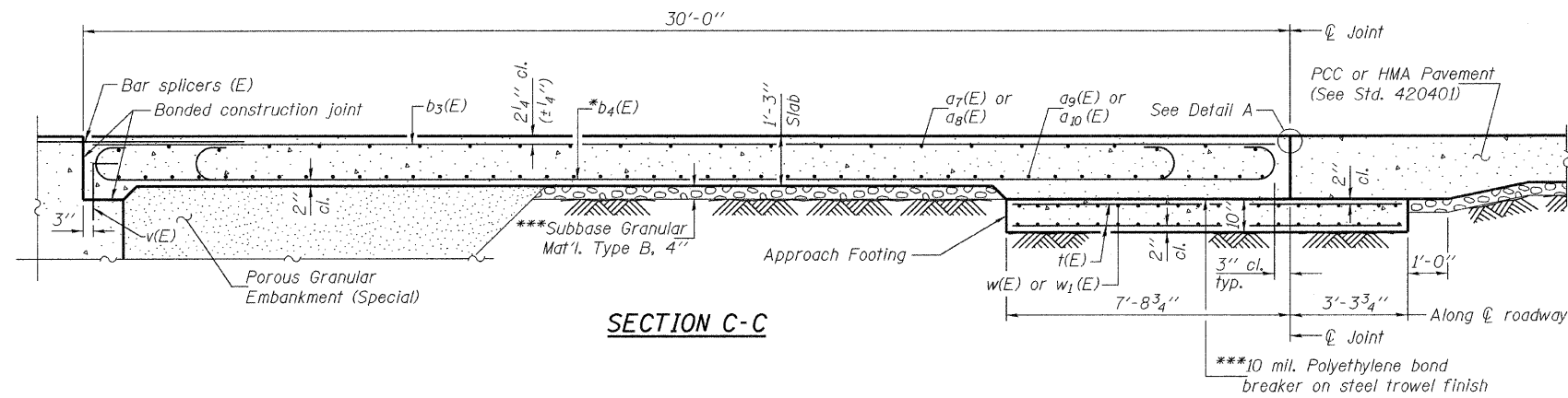


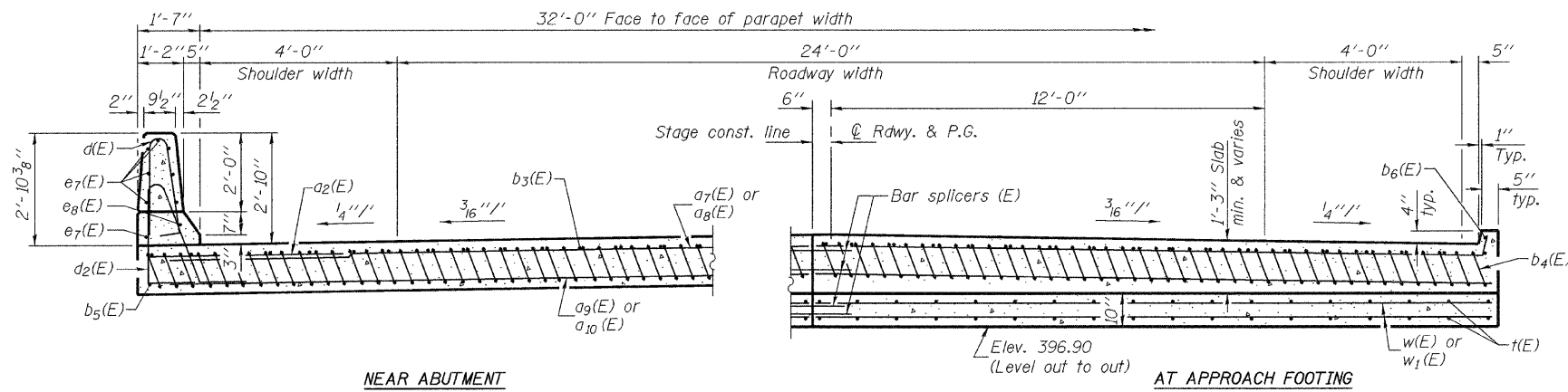
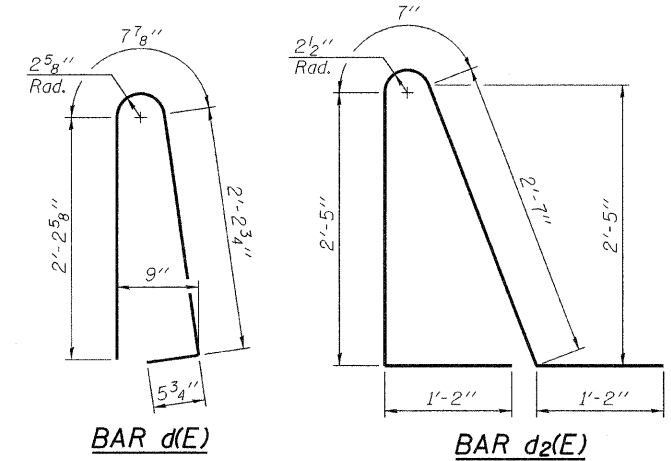
STATE OF ILLINOIS  
DEPARTMENT OF TRANSPORTATION

Notes:  
See sheet 13 of 25 for Detail A and View B-B.  
Approach slab and parapet concrete shall be paid for as Concrete Superstructure.  
Approach footing concrete shall be paid for as Concrete Structures.  
Reinforcement shall be paid for as Reinforcement Bars, Epoxy Coated.  
For v(E) bar details, see sheet 11 of 25.  
The approach footing maximum applied service bearing pressure (Q<sub>max</sub>) = 2.0 ksf.  
For bar splicer details, see sheet 21 of 25.  
Cost of excavation for approach footing included with Concrete Structures.  
For Porous Granular Embankment (Special) and drainage treatment details, see sheet 2 of 25.



SECTION C-C

\*Tilt #9 b<sub>4</sub>(E) bars as required to maintain clearance.  
\*\*\*Cost included with Concrete Superstructure.



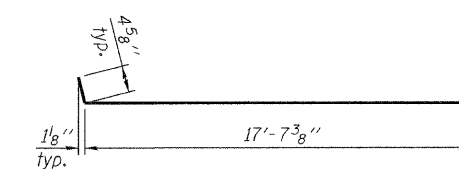
NEAR ABUTMENT

SECTION D-D  
(See Plan for dimensions not shown)

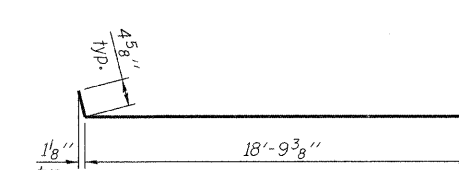
AT APPROACH FOOTING

TWO APPROACHES  
BILL OF MATERIAL

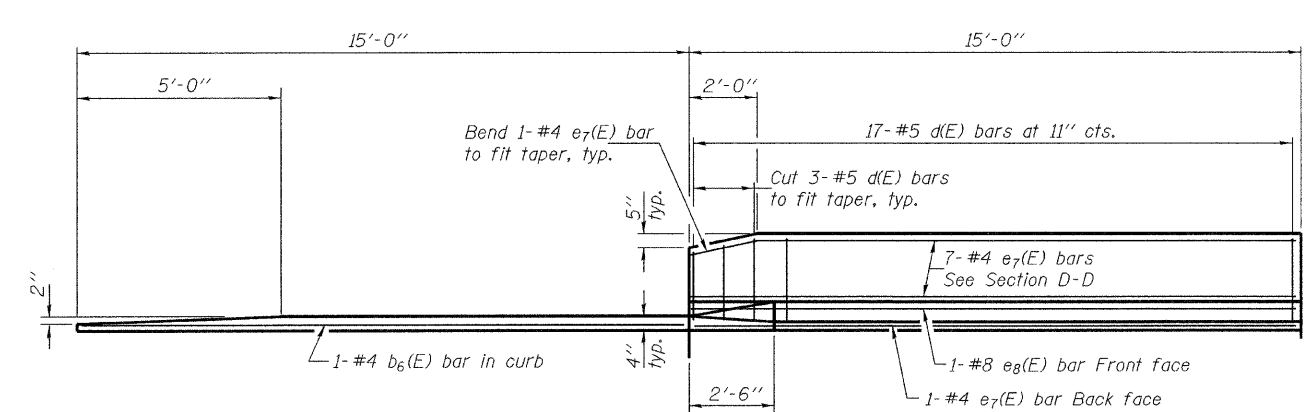
Bar	No.	Size	Length	Shape
a <sub>2</sub> (E)	48	#6	6'-0"	—
a <sub>7</sub> (E)	50	#4	18'-0"	—
a <sub>8</sub> (E)	50	#4	19'-2"	—
a <sub>9</sub> (E)	92	#5	17'-9"	—
a <sub>10</sub> (E)	92	#5	18'-10"	—
b <sub>3</sub> (E)	70	#4	29'-8"	—
b <sub>4</sub> (E)	162	#9	29'-9"	—
b <sub>5</sub> (E)	4	#4	14'-8"	—
b <sub>6</sub> (E)	4	#4	14'-1"	—
d(E)	68	#5	5'-7"	U
d <sub>2</sub> (E)	68	#5	7'-11"	U
e <sub>7</sub> (E)	32	#4	14'-8"	—
e <sub>8</sub> (E)	4	#8	14'-8"	—
t(E)	140	#4	10'-8"	—
w(E)	80	#5	17'-9"	—
w <sub>1</sub> (E)	80	#5	18'-10"	—
Concrete Superstructure		Cu. Yd.	108.9	
Concrete Structures		Cu. Yd.	22.9	
Reinforcement Bars, Epoxy Coated		Pound	28510	



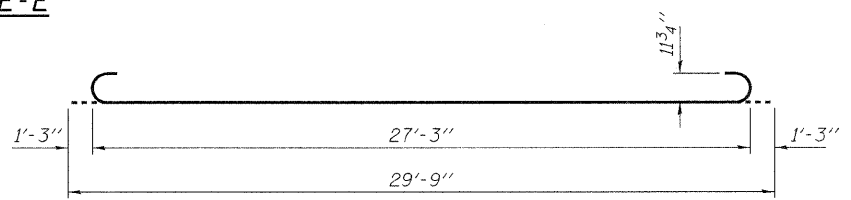
BAR a<sub>7</sub>(E)  
(For Stage I Construction)



BAR a<sub>8</sub>(E)  
(For Stage II Construction)



VIEW E-E



BAR b<sub>4</sub>(E)

BRIDGE APPROACH SLAB DETAILS  
STRUCTURE NO. 073-0037

DESIGNED	Stephen M. Ryan	EXAMINED	Thomas J. Damagala
CHECKED	Jay D. Edwards	PASSED	Ralph E. Anderson
DRAWN	h.t. duong		
CHECKED	SMR/JDE		

SHEET NO. 15	F.A.P. RTE.	SECTION	COUNTY	TOTAL SHEETS	SHEET NO.
25 SHEETS	865	16B-2	PERRY	47	37
CONTRACT NO. 78064					
FED. ROAD DIST. NO. - ILLINOIS FED. AID PROJECT					