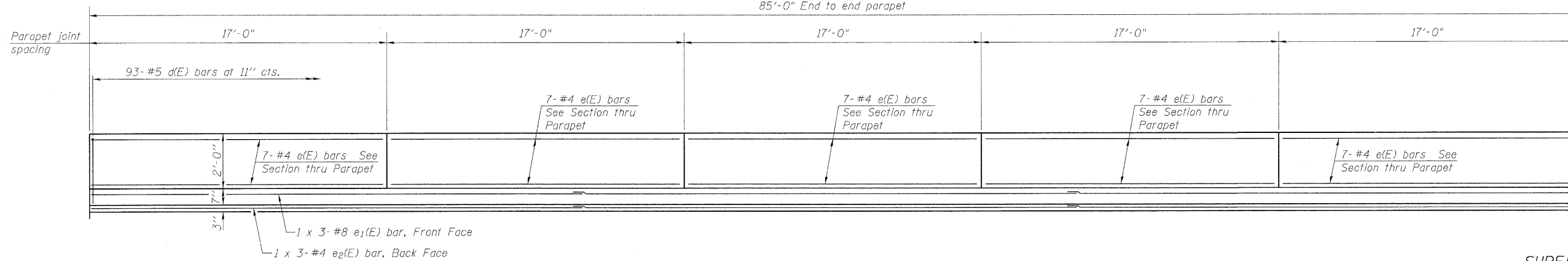


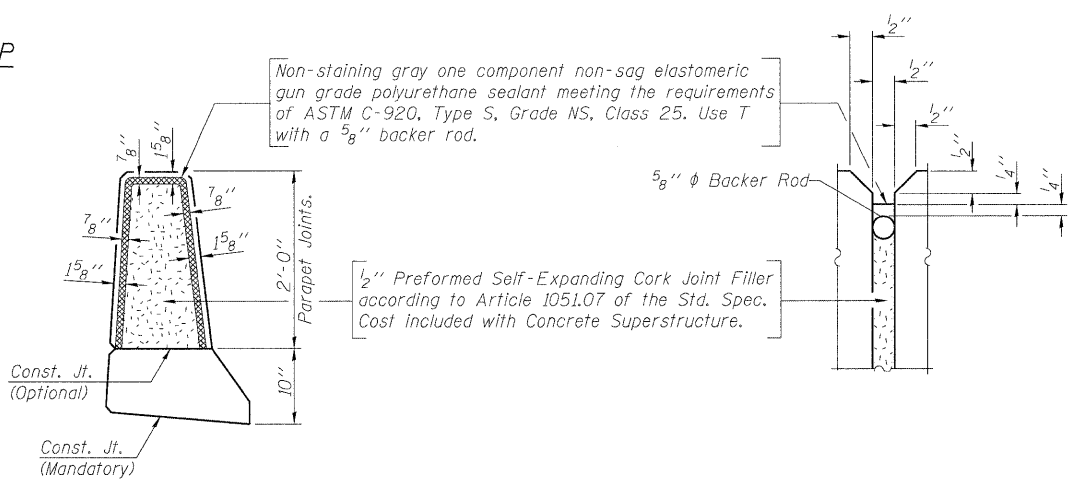
STATE OF ILLINOIS
DEPARTMENT OF TRANSPORTATION

85'-0" End to end parapet



INSIDE ELEVATION OF PARAPET

Non-staining gray one component non-sag elastomeric gun grade polyurethane sealant meeting the requirements of ASTM C-920, Type S, Grade NS, Class 25. Use T with a 5/8" backer rod.



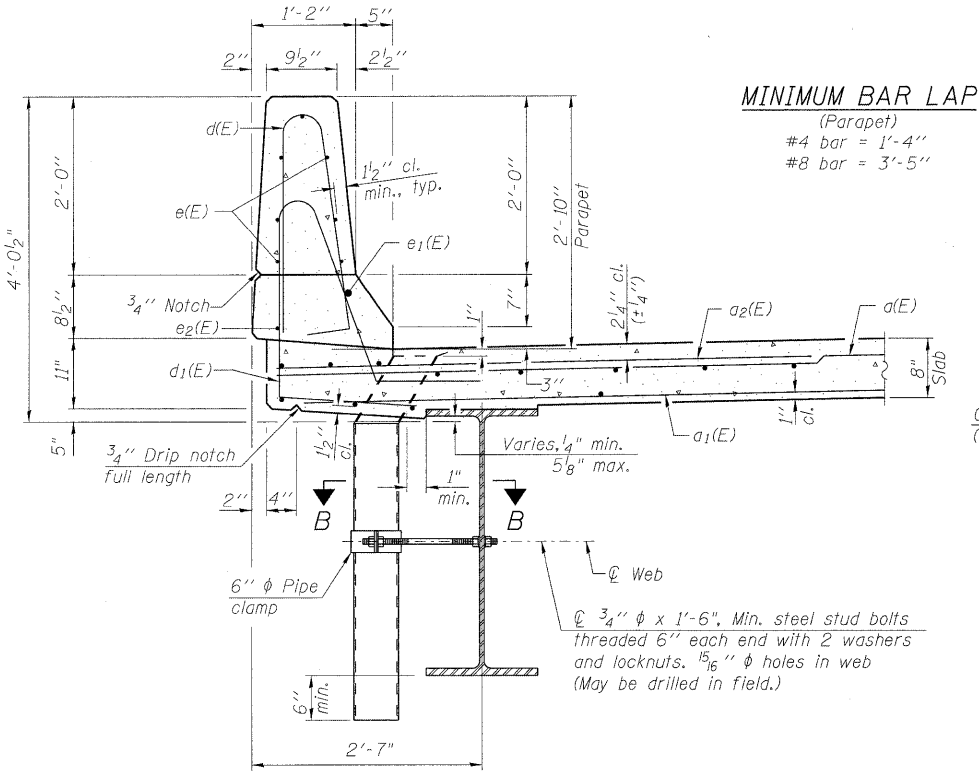
PARAPET JOINT DETAILS

Notes:
Floor drains need not be painted.
Fiberglass pipe shall conform to ASTM D 2996, with short-time rupture strength hoop tensile stress of 30,000 p.s.i. minimum.
Floor Drains shall be located clear of all diaphragms.

SUPERSTRUCTURE
BILL OF MATERIAL

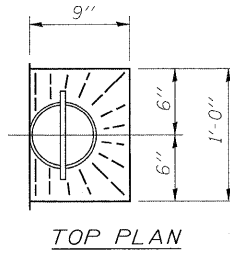
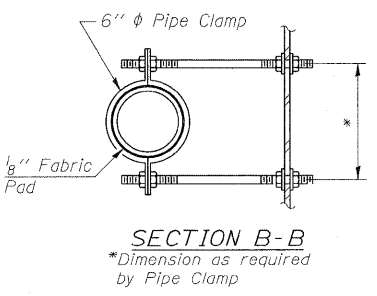
Bar	No.	Size	Length	Shape
a(E)	288	#5	15'-11"	—
a1(E)	202	#5	15'-7"	—
a2(E)	288	#6	6'-0"	—
a3(E)	8	#5	18'-5"	—
b(E)	156	#5	22'-6"	—
b1(E)	96	#5	29'-5"	—
d(E)	186	#5	5'-7"	—
d1(E)	186	#5	7'-3"	—
e(E)	70	#4	16'-8"	—
e1(E)	6	#8	30'-7"	—
e2(E)	6	#4	29'-2"	—
m(E)	10	#6	21'-2"	—
m1(E)	10	#6	18'-11"	—
m2(E)	12	#6	8'-11"	—
m3(E)	12	#6	8'-2"	—
m4(E)	8	#6	5'-3"	—
m5(E)	4	#6	2'-0"	—
m6(E)	2	#6	3'-8"	—
m7(E)	2	#6	1'-4"	—
s(E)	76	#5	6'-7"	—
s1(E)	64	#4	9'-6"	—
v(E)	72	#5	3'-4"	—
Reinforcement Bars, Epoxy Coated	Pound	23480		
Concrete Superstructure	Cu. Yds.	120.4		
Floor Drains	Each	10		

Bars indicated thus 1 x 3- #8 etc. indicates 1 line of bars with 3 lengths per line.

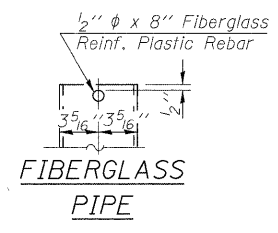


SECTION THRU PARAPET

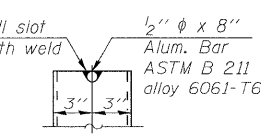
MINIMUM BAR LAP
(Parapet)
#4 bar = 1'-4"
#8 bar = 3'-5"



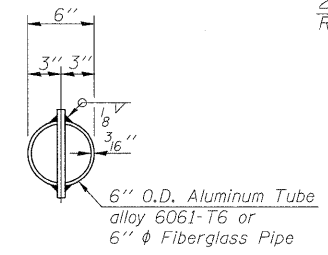
TOP PLAN



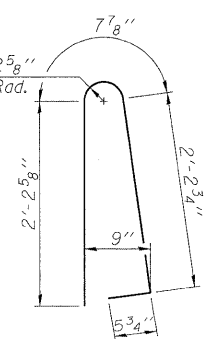
FIBERGLASS PIPE



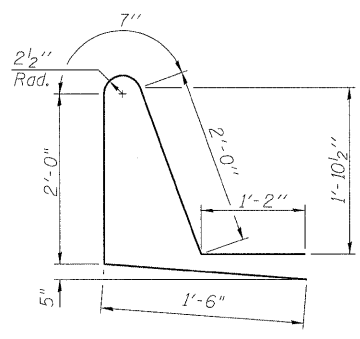
ALUMINUM TUBE



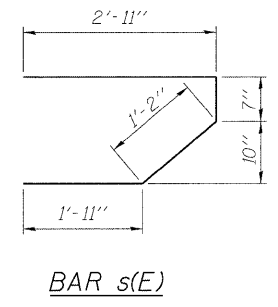
TOP PLAN
(Showing Aluminum Tube)



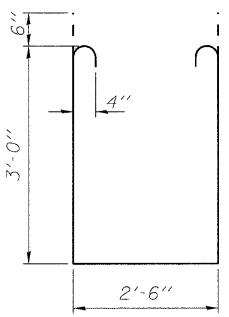
BAR d(E)



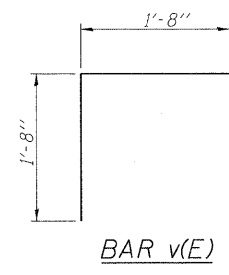
BAR d1(E)



BAR s(E)



BAR s1(E)



BAR v(E)

SUPERSTRUCTURE DETAILS
STRUCTURE NO. 097-0073

<p>LIN ENGINEERING, LTD. Consulting Engineers Chatham, Illinois</p>	SHEET NO. 8	F.A.P. RTE. 877	SECTION 101B-1	COUNTY WHITE	TOTAL SHEETS 42	SHEET NO. 23
	17 SHEETS	CONTRACT NO. 78084				
Designed By: SSL Date: 3/2009		Checked By: ESH File: 097-0073.dgn		FED. ROAD DIST. NO. ILLINOIS FED. AID PROJECT		