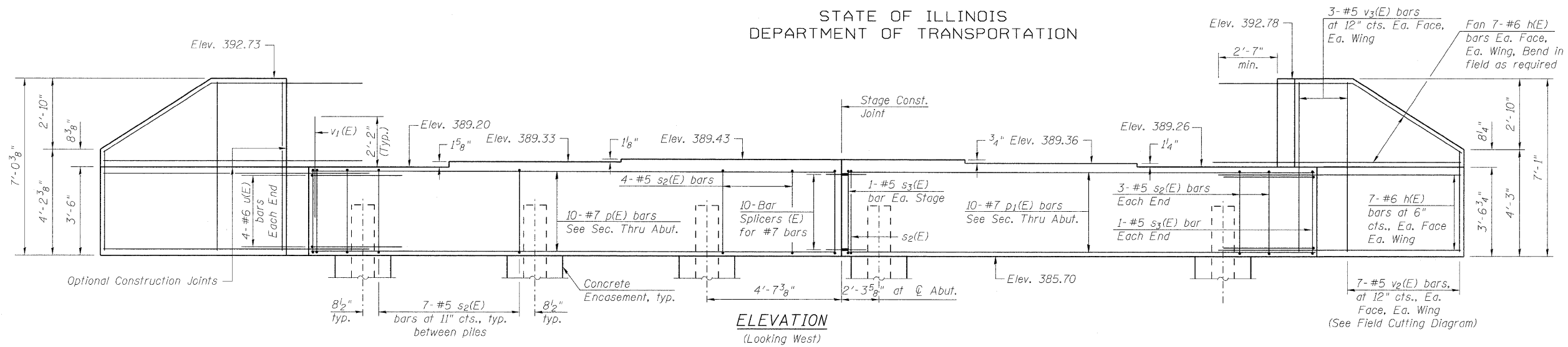
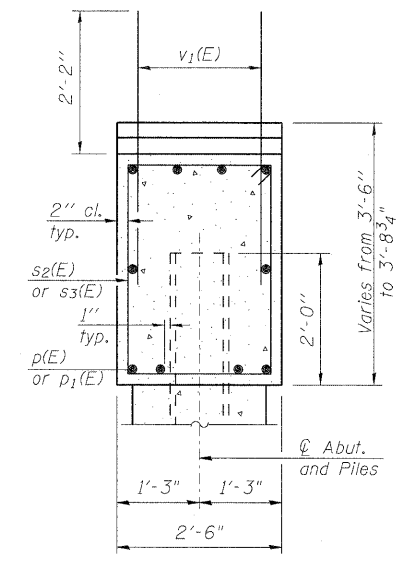


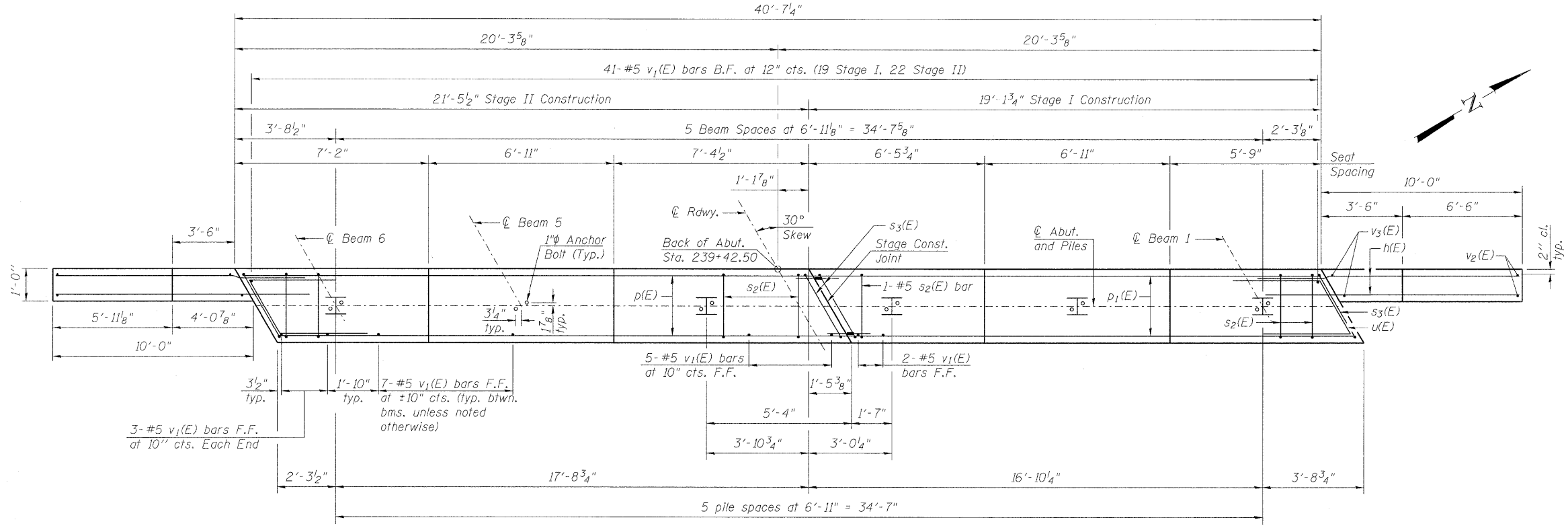
STATE OF ILLINOIS
DEPARTMENT OF TRANSPORTATION



ELEVATION
(Looking West)



SEC. THRU ABUT.
(Dimensions at Rt. L.s)

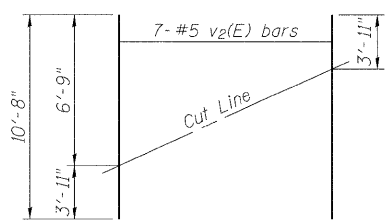


PLAN

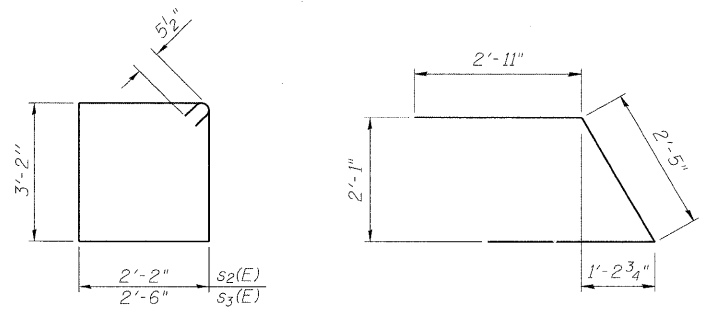
PILE DATA

Type: Steel HP 12x63
Nominal Required Bearing: 497 kips
Factored Resistance Available: 249 kips
Est. Length: 38'
No. Production Piles: 5
No. Test Piles: 1

Notes:
Pour steps monolithically with cap.
Space reinforcement in cap to miss Anchor Bolts.



FIELD CUTTING DIAGRAM
Order v2(E) full length. Cut as shown and use remainder of bars in opposite face.



BARS s2(E) & s3(E)

BAR u(E)

BILL OF MATERIAL

Bar No.	Size	Length	Shape
h(E)	#6	12'-10"	
p(E)	#7	21'-2"	
p1(E)	#7	18'-10"	
s2(E)	#5	11'-7"	□
s3(E)	#5	12'-3"	□
u(E)	#6	8'-3"	▤
v1(E)	#5	4'-4"	
v2(E)	#5	10'-8"	
v3(E)	#5	6'-9"	
Structure Excavation	Cu. Yd.	138.5	
Concrete Structures	Cu. Yd.	18.2	
Reinforcement Bars, Epoxy Coated	Pound	3130	
Furnishing Steel Piles, HP 12x63	Foot	190	
Test Pile Steel, HP 12x63	Each	1	
Driving Piles	Foot	190	
Concrete Encasement	Cu. Yd.	2.1	
Anchor Bolts, 1"	Each	12	

For details of Bar Splicers, see sheet 15 of 17.
For details of piles and Concrete Encasement, see sheet 16 of 17.
For details of Integral Abutment Bearing, see sheet 12 of 17.
For drainage details, see Section Thru Integral Abutment on sheet 2 of 17.

**WEST ABUTMENT
STRUCTURE NO. 097-0073**

LIN ENGINEERING, LTD. Consulting Engineers Chatham, Illinois Designed By: SDL Checked By: ESH Drawn By: SDL Date: 3/2009 File: 097-0073.dgn	SHEET NO. 13	F.A.P. RTE. 877	SECTION 101B-1	COUNTY WHITE	TOTAL SHEETS 42	SHEET NO. 28
	17 SHEETS	CONTRACT NO. 78084			FED. ROAD DIST. NO. ILLINOIS FED. AID PROJECT	