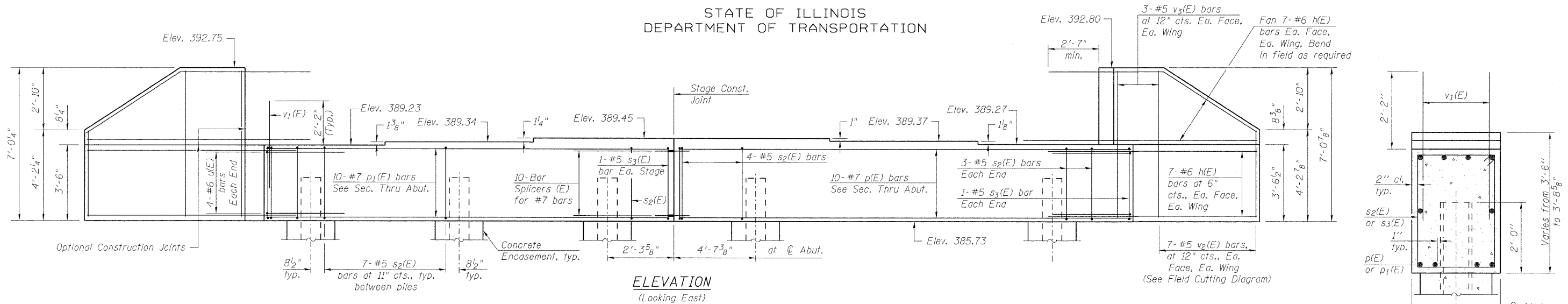
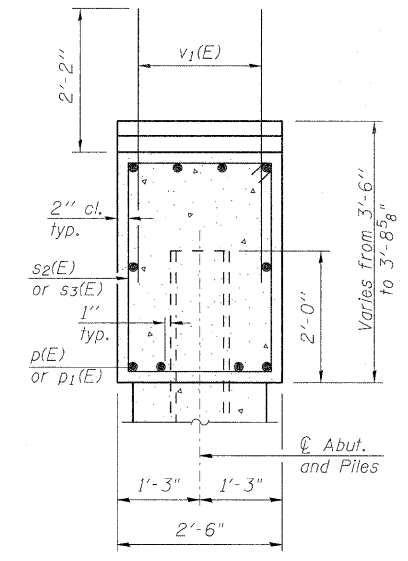


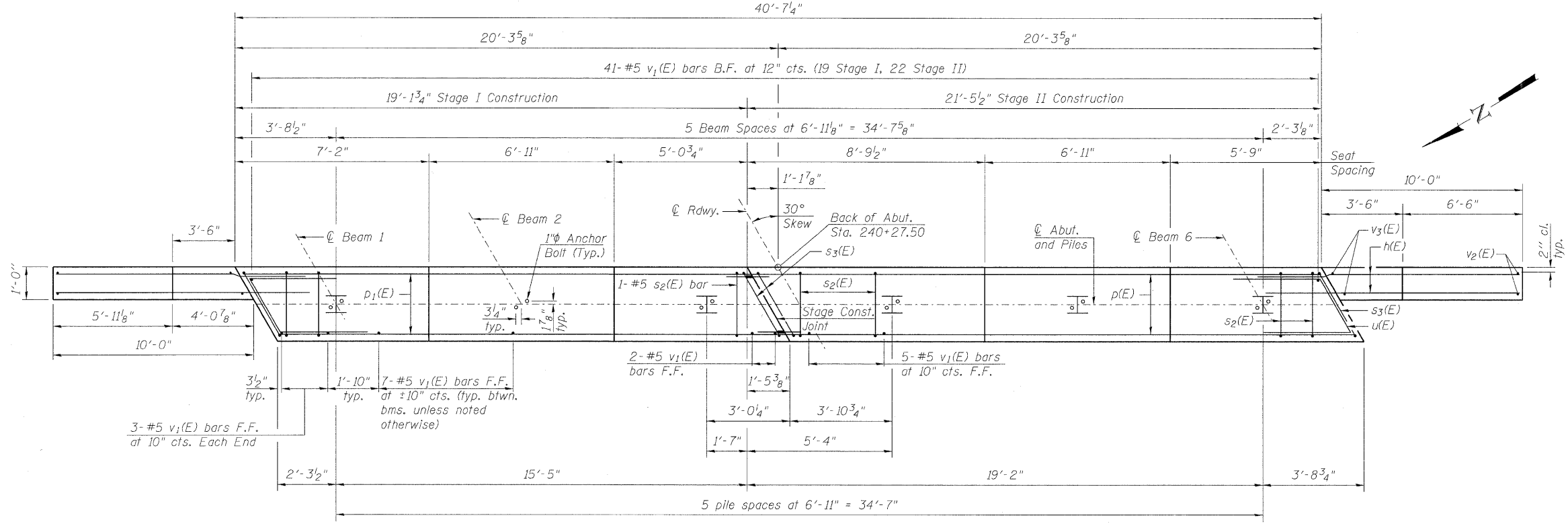
STATE OF ILLINOIS
DEPARTMENT OF TRANSPORTATION



ELEVATION
(Looking East)



SEC. THRU ABUT.
(Dimensions at Rt. Ls)



PLAN

BILL OF MATERIAL

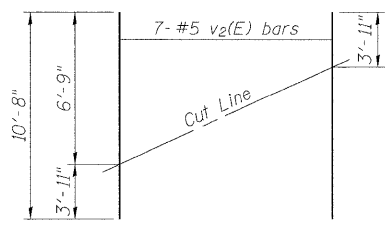
Bar	No.	Size	Length	Shape
h(E)	56	#6	12'-10"	
p(E)	10	#7	21'-2"	
p1(E)	10	#7	18'-10"	
s2(E)	39	#5	11'-7"	□
s3(E)	4	#5	12'-3"	□
u(E)	8	#6	8'-3"	∩
v1(E)	82	#5	4'-4"	
v2(E)	14	#5	10'-8"	
v3(E)	12	#5	6'-9"	
Structure Excavation		Cu. Yd.	138.5	
Concrete Structures		Cu. Yd.	18.2	
Reinforcement Bars, Epoxy Coated		Pound	3130	
Furnishing Steel Piles, HP 12x63		Foot	135	
Test Pile Steel, HP 12x63		Each	1	
Driving Piles		Foot	135	
Concrete Encasement		Cu. Yd.	2.1	
Anchor Bolts, 1"		Each	12	

For details of Bar Splicers, see sheet 15 of 17.
For details of piles and Concrete Encasement, see sheet 16 of 17.
For details of Integral Abutment Bearing, see sheet 12 of 17.
For drainage details, see Section Thru Integral Abutment on sheet 2 of 17.

PILE DATA

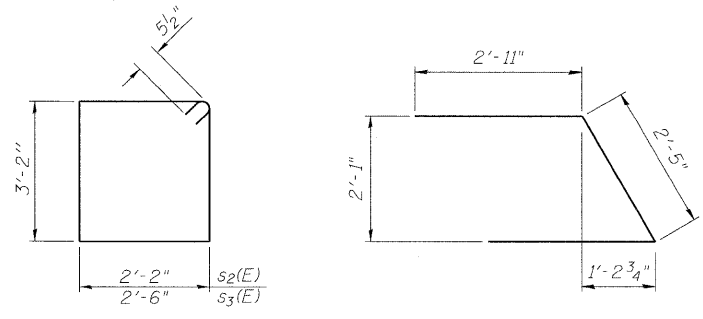
Type: Steel HP 12x63
Nominal Required Bearing: 497 kips
Factored Resistance Available: 249 kips
Est. Length: 27'
No. Production Piles: 5
No. Test Piles: 1

Notes:
Pour steps monolithically with cap.
Space reinforcement in cap to miss Anchor Bolts.



FIELD CUTTING DIAGRAM

Order v2(E) full length. Cut as shown and use remainder of bars in opposite face.



BARS s2(E) & s3(E)

BAR u(E)

LIN ENGINEERING, LTD. Consulting Engineers Chatham, Illinois <small>Designed By: SGL, Checked By: ESH, Drawn By: SGL, Date: 3/2009, File: 097-0073.dgn</small>	SHEET NO. 14	F.A.P. RTE. 877	SECTION 101B-1	COUNTY WHITE	TOTAL SHEETS 42	SHEET NO. 29
	17 SHEETS	CONTRACT NO. 78084			FED. ROAD DIST. NO. ILLINOIS FED. AID PROJECT	

**EAST ABUTMENT
STRUCTURE NO. 097-0073**