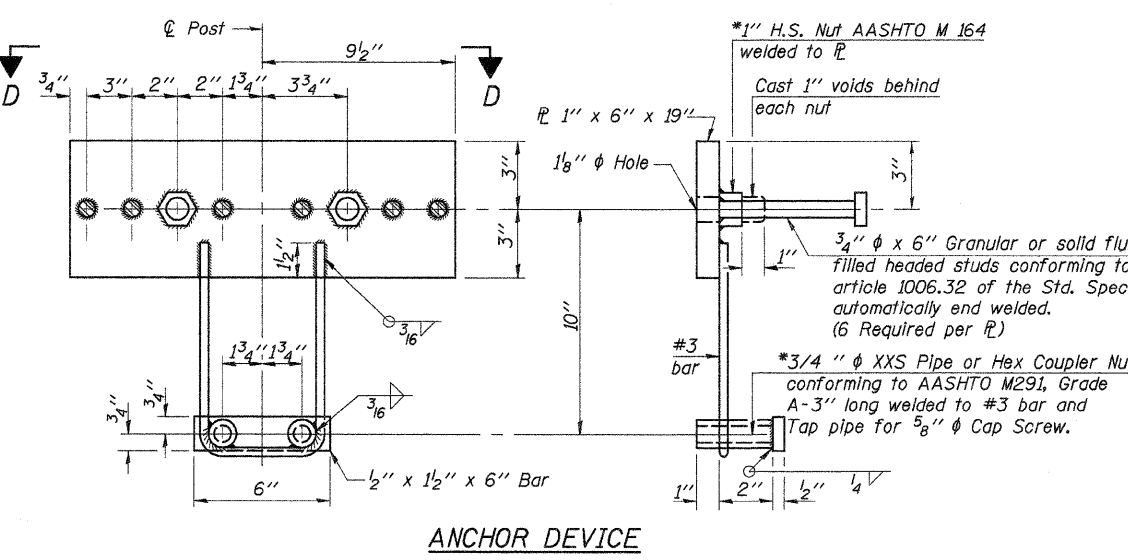
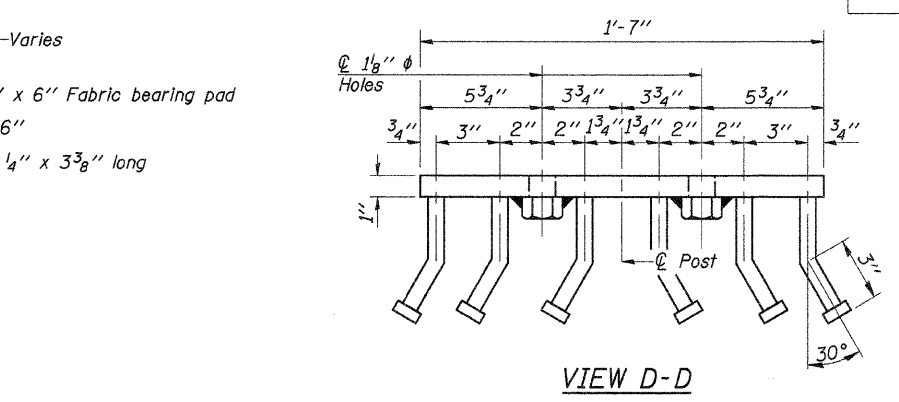
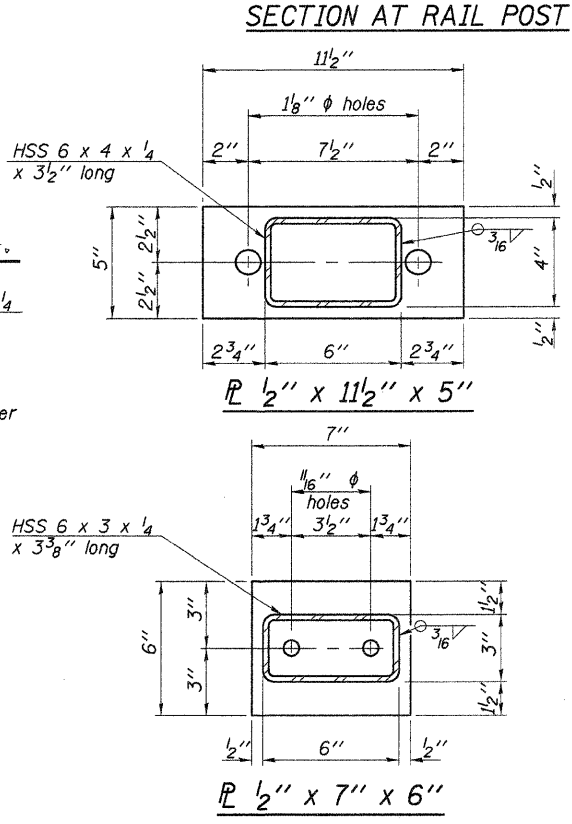
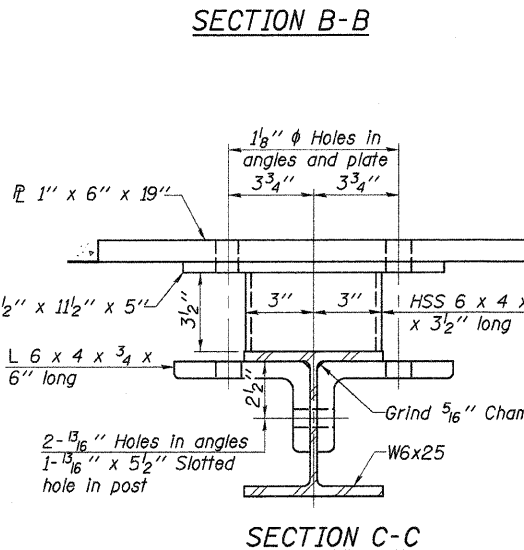
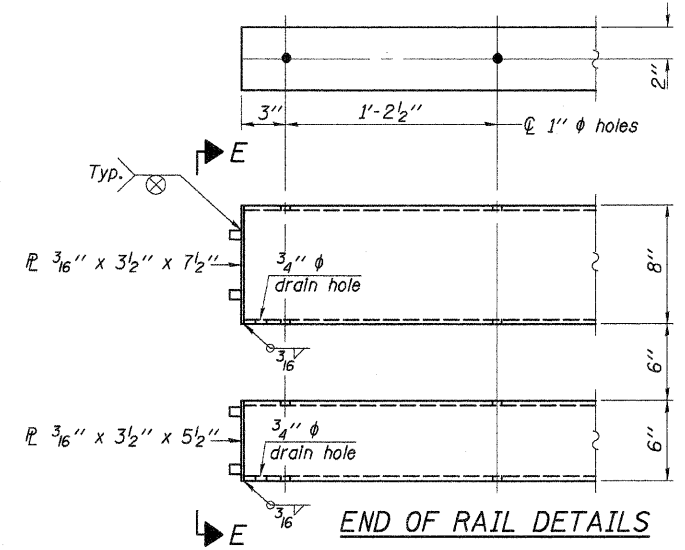


SECTION AT RAIL SPLICE



Notes:

All field drilled holes shall be coated with an approved zinc rich paint before erection.

For multi-span bridges, sufficient 1/4" x 6" x 1'-2" galvanized steel shims shall be provided to align rail between adjacent spans. Cost included with Steel Railing, Type SM.

Steel rail elements shall be galvanized according to Article 509.05 of the Standard Specifications.

\*\* The studs of the anchor devices shall be placed below the top reinforcement bars and the outermost longitudinal reinforcement bar shall be placed directly above the studs of the rail post anchor device.

Note: See Sheet 2 of 22 for Post Spacing.

BILL OF MATERIAL

Item	Unit	Quantity
Steel Railing, Type SM	Foot	331

STEEL RAILING, TYPE SM  
SECTION 07-00188-00-BR  
COUNTY HIGHWAY 3  
WHITESIDE COUNTY  
STA. 48+02.50

DESIGNED -	A.L.S.
CHECKED -	A.R.K.
DRAWN -	S.A.P.
CHECKED -	A.R.K.

10-1-08 (6'-3" Maximum Post Spacing) (5" minimum to 7 1/8" maximum CWS thickness)

\*Threaded areas shall be plugged or blocked off during casting of beam. Galvanized after fabrication.