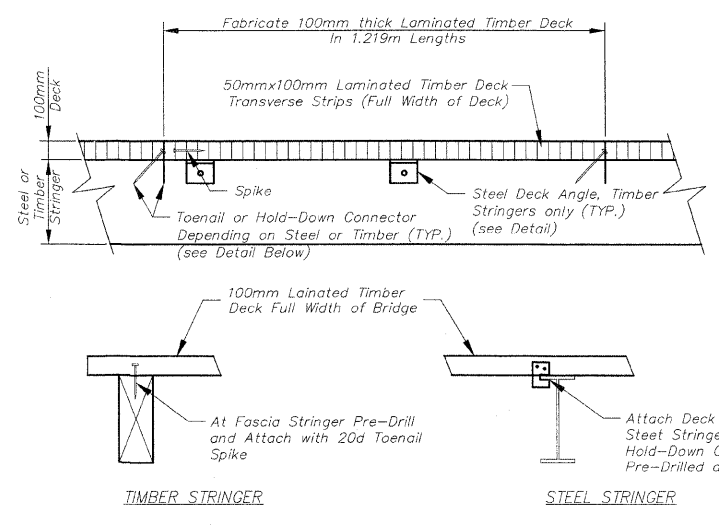
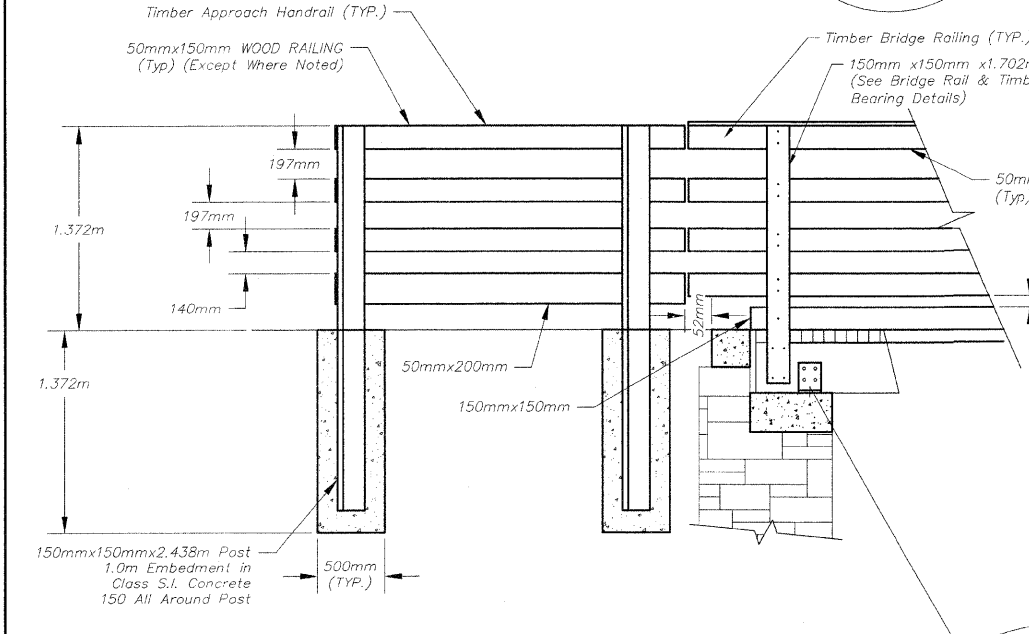


**LAMINATED TIMBER DECK ANGLE** NOT TO SCALE

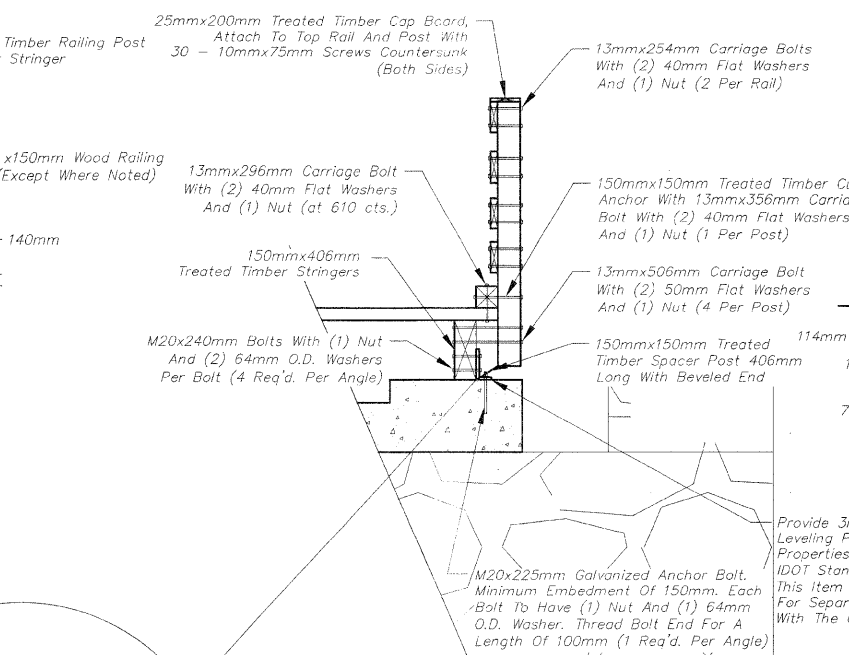


**LAMINATED TIMBER DECK PANEL** NOT TO SCALE  
 ALTERNATE METHOD OF DECKING

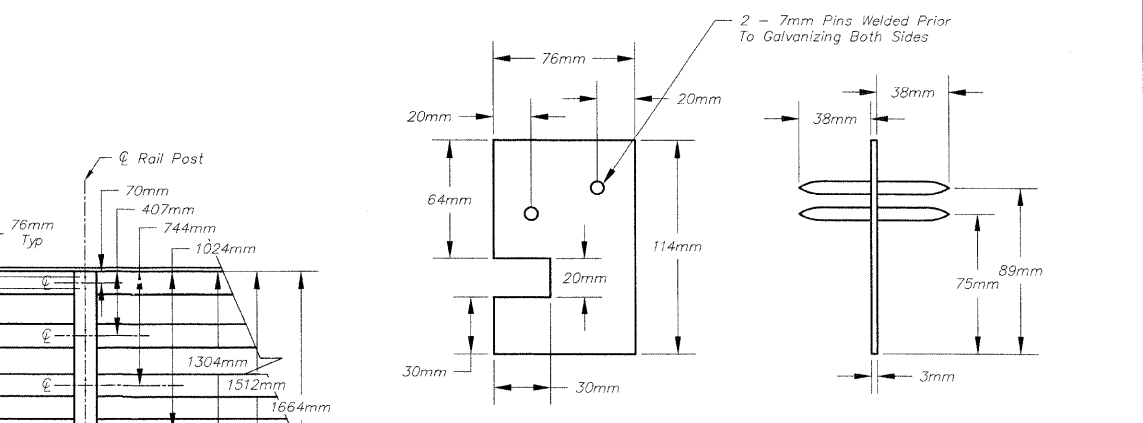
- LAMINATED TIMBER DECK PANEL NOTES**
- USE 50mmx100mm TIMBER STRIPS SURFACED TO A UNIFORM THICKNESS AND WIDTH. TIMBER SPECIES AND TREATMENT SHALL BE AS SPECIFIED.
  - PLACE THE TIMBER STRIPS ON EDGE AND AT RIGHT ANGLES TO THE LONGITUDINAL CENTERLINE OF THE BRIDGE. FASTEN EACH STRIP TO THE ADJACENT STRIP AT 600mm INTERVALS WITH SPIKES THAT STAGER 200mm WITH THOSE IN ADJACENT STRIPS. USE SPIKES OF SUFFICIENT LENGTH TO PASS THROUGH 2 STRIPS AND AT LEAST HALFWAY THROUGH THE THIRD. KEEP EACH STRIP VERTICAL AND TIGHT AGAINST THE PRECEDING ONE WITH EVEN BEARING ON ALL SUPPORTS.



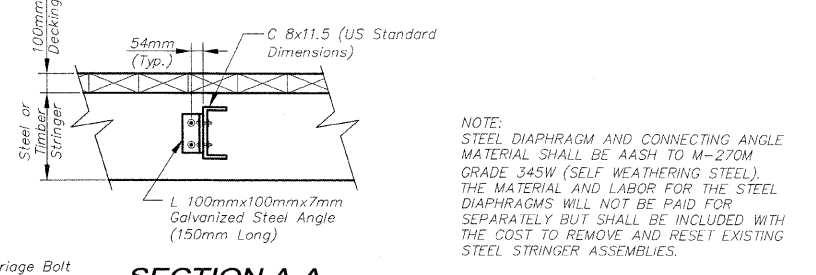
**WOOD RAILING DETAIL** NOT TO SCALE



**BRIDGE RAIL & TIMBER STRINGER BEARING DETAILS** NOT TO SCALE

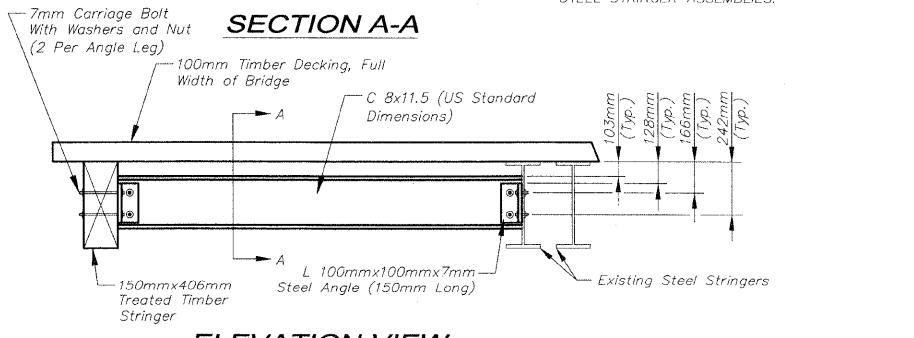


**TIMBER DECK HOLD-DOWN CONNECTORS** NOT TO SCALE



**SECTION A-A**

NOTE: STEEL DIAPHRAGM AND CONNECTING ANGLE MATERIAL SHALL BE AASH TO M-270M GRADE 345W (SELF WEATHERING STEEL). THE MATERIAL AND LABOR FOR THE STEEL DIAPHRAGMS WILL NOT BE PAID FOR SEPARATELY BUT SHALL BE INCLUDED WITH THE COST TO REMOVE AND RESET EXISTING STEEL STRINGER ASSEMBLIES.



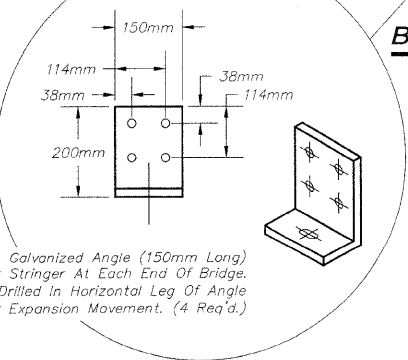
**ELEVATION VIEW**

**STEEL DIAPHRAGM DETAIL** NOT TO SCALE

**MINIMUM REINFORCEMENT BAR LAP LENGTHS**

SIZE	LAP
#13	510mm
#16	660mm
#19	790mm
#22	1040mm
#25	1370mm

L 200mmx150mmx20mm Galvanized Angle (150mm Long) Located On Treated Timber Stringer At Each End Of Bridge. Standard Slot (24mmx32mm) Drilled In Horizontal Leg Of Angle To Allow For Expansion Movement. (4 Req'd.)



**REVISIONS**

NO.	ITEM	DATE

PLOTTING SCALE: 1 : 1

DRAWN BY: REK

CHECKED BY:

DATE: JUNE, 2009

**McClure**  
 Engineering Associates, Inc.  
 7282 Argus Drive Rockford, Illinois 61107-5837  
 (815) 398-2332 FAX (815) 398-2496  
 Design Firm License: Illinois 184-000816  
 Copyright 2009 By McClure Engineering Associates, Inc.

**BRIDGE DETAILS**  
 PECATONICA PRAIRIE PATH  
 STEPHENSON COUNTY SECTION 09-P4000-00-BT  
 JOB NUMBER: 04-28-98-037