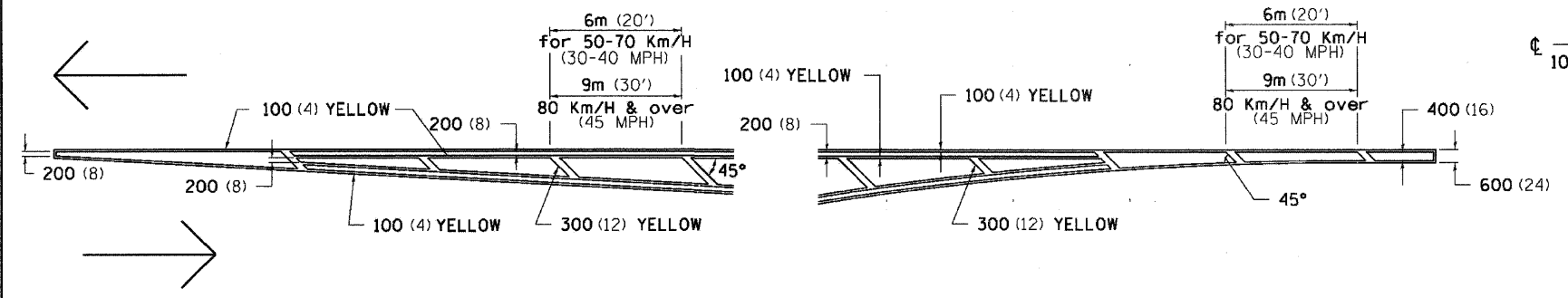
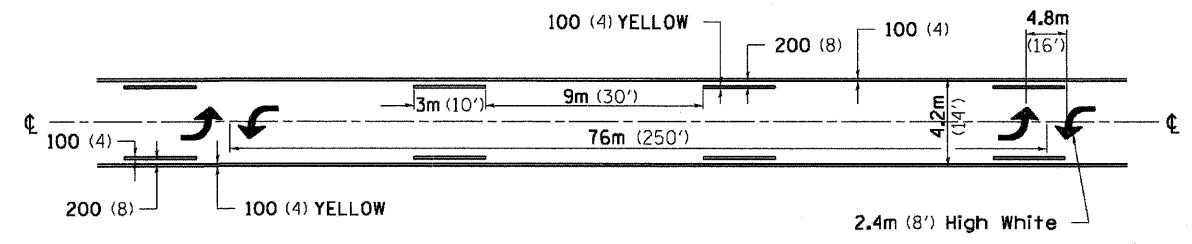


TYPICAL PAVEMENT MARKINGS

TYPICAL PAVEMENT MARKING FOR FLUSH MEDIAN AT LEFT TURN LANE

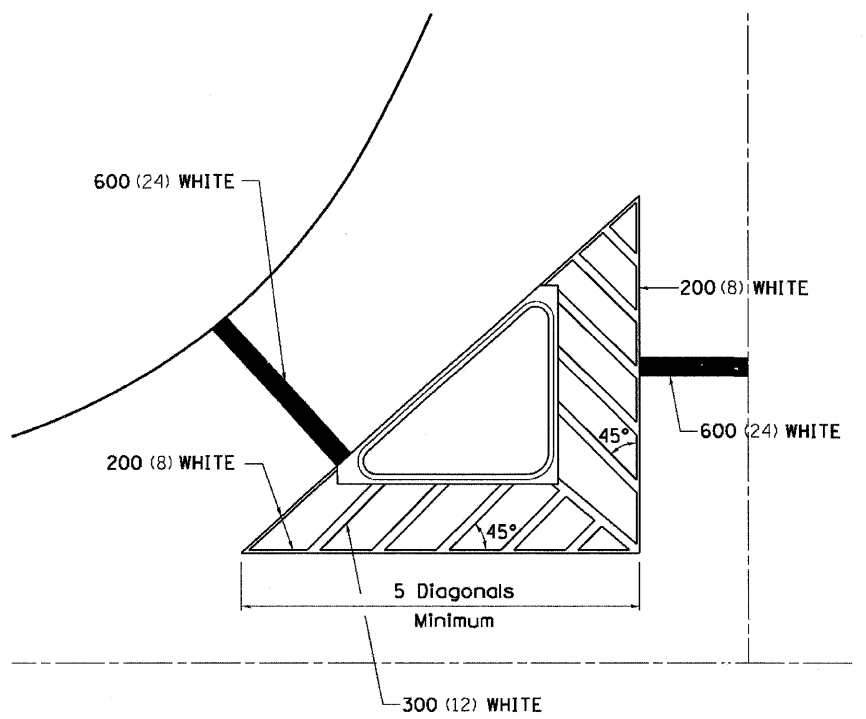


MEDIAN PAVEMENT MARKING

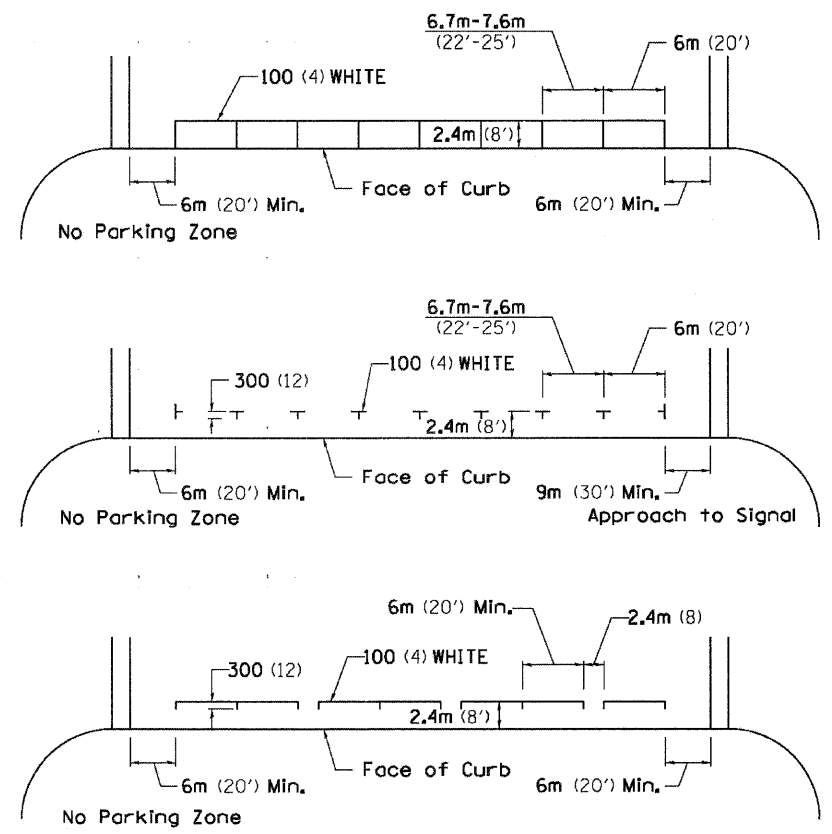


•• ALL DIMENSIONS ARE IN MILLIMETERS (INCHES) UNLESS OTHERWISE NOTED.

TYPICAL ISLAND OFFSET SHOULDER WIDTH

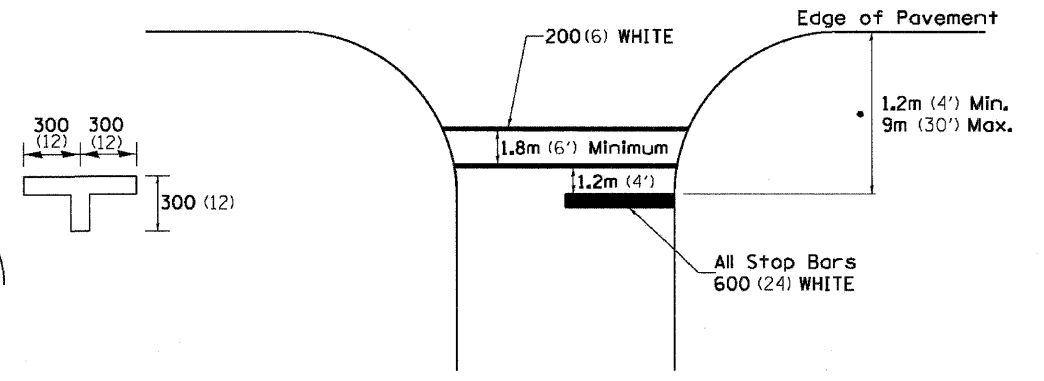


TYPICAL PARKING SPACING



STANDARD CROSSWALK MARKING

See Schedules for Locations



• Distance to the nearest edge of the intersecting roadway in the absence of a marked crosswalk.

FILE NAME =	USER NAME = #USER#	DESIGNED -	REVISED - 10-21-08	STATE OF ILLINOIS DEPARTMENT OF TRANSPORTATION	REGION 2 / DISTRICT 2 STANDARD	F.A. RTE.	SECTION	COUNTY	TOTAL SHEETS	SHEET NO.		
C:\Documents and Settings\meg11\Desktop\025standards.cel		DRAWN -	REVISED -			SCALE: _____	SHEET NO. ____ OF ____ SHEETS	STA. _____ TO STA. _____	CONTRACT NO. _____			
PLOT SCALE = 1:2000' / IN.		CHECKED -	REVISED -			FED. ROAD DIST. NO. _____ (ILLINOIS) FED. AID PROJECT						
PLOT DATE = Tue Oct 21 14:35:35 2008		DATE -	REVISED -									

	<p style="text-align: center;">SHEET REVIEW</p> <table border="1"> <tr> <th>AGENCY</th> <th>DATE</th> </tr> <tr> <td> </td> <td> </td> </tr> </table>	AGENCY	DATE			<p style="text-align: center;">REVISIONS</p> <table border="1"> <tr> <th>NO.</th> <th>ITEM</th> <th>DATE</th> </tr> <tr> <td> </td> <td> </td> <td> </td> </tr> </table>	NO.	ITEM	DATE				<p>SCALE: NA</p> <p>DRAWN BY: TH</p> <p>CHECKED BY: PDS</p> <p>DATE: 8/28/2009</p>	<p>7282 Argus Drive Rookford, Illinois 61107-5837 (815) 398-2332 FAX (815) 398-2496 Design Firm License: Illinois 164-000816</p>	<p>DETAILS - IDOT-DIST2</p> <p>RIVERSIDE ARRA (MFT SECTION 09-00560-00-RS)</p> <p>WEST RIVERSIDE BOULEVARD ROCKFORD, ILLINOIS</p> <p>FILE: H:\109-029 RIVERSIDE ARRA\DESIGN\DRAWINGS\109-029 DETAILS.DWG</p> <p>JOB: 04-28-09-029</p>	<p>SHEET NO.</p> <p>17</p> <p>OF</p> <p>21</p>
AGENCY	DATE															
NO.	ITEM	DATE														