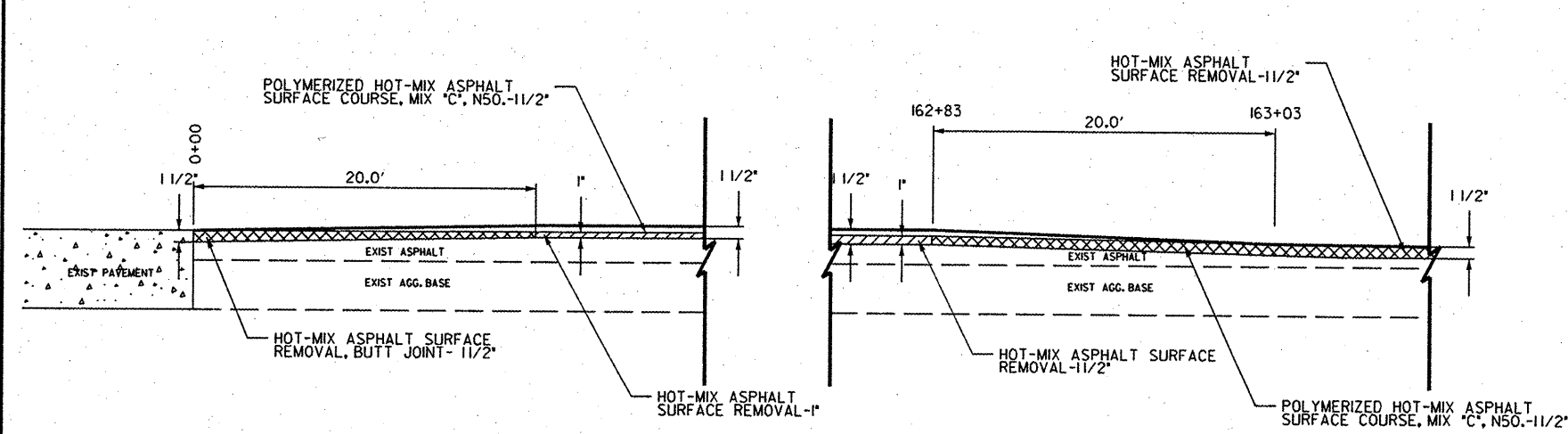


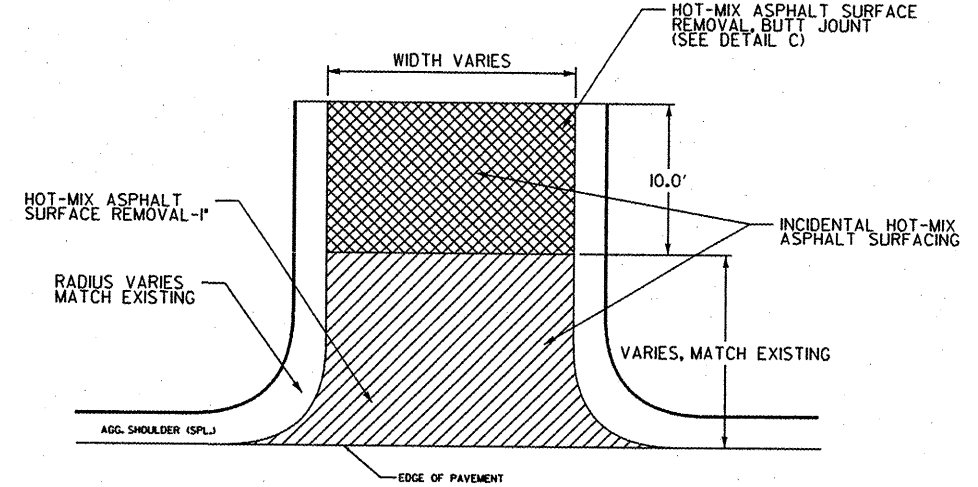
F.A.S. RTE.	SECTION	COUNTY	TOTAL SHEETS	SHEET NO.
367	01-00100-00-RS	WOODFORD	5	4
STA. TO STA.				
FED. ROAD DIST. NO. 4		ILLINOIS FED. AID PROJECT		

MIX DESIGN	SURFACE
PG:	SBS 70-22
RAP (2)max	10%
DESIGN AIR Voids	4% @ N=50
GRADATION MIXTURE	IL-9.5 OR IL 12.5
FRICITION AGGREGATE	"C"
N DESIGN	N50

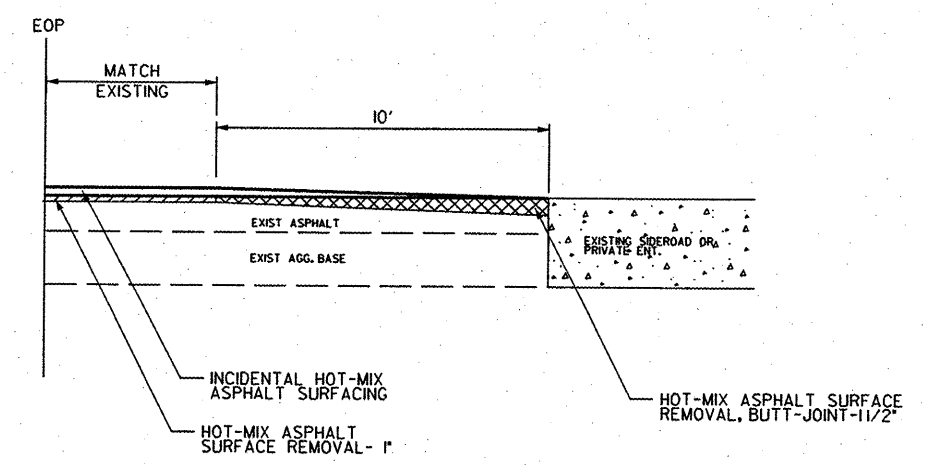


BUTT JOINT DETAIL A
STA. 0+00-0+20

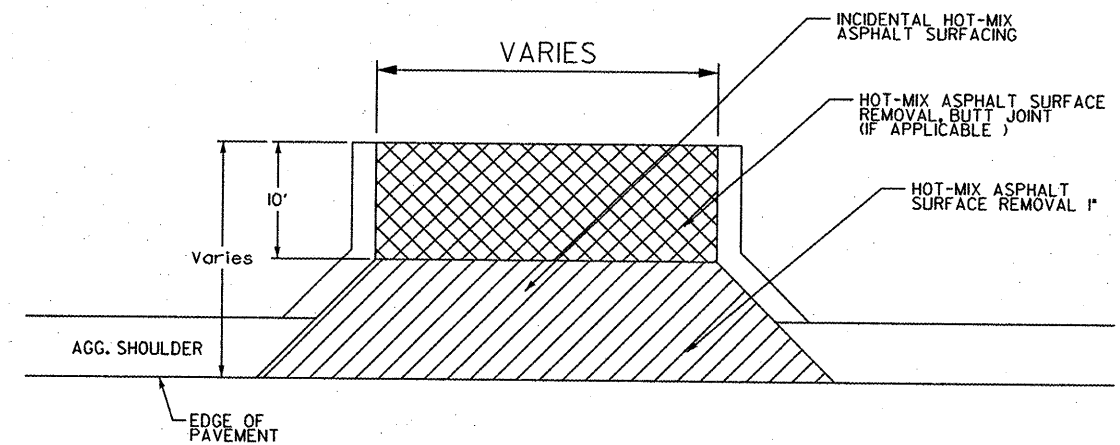
**SURFACE REMOVAL
VARIABLE DEPTH
DETAIL B**
STA. 162+83 - 163+03



INTERSECTION DETAIL
1100 N, 1200N, PRAIRIE HILLS, LOCUST ST.




BUTT JOINT DETAIL C
PRIVATE ENTRANCES
3 TO BE CONSTRUCTED
ENT. #22,33,36
SIDEROADS
1100N, 1200N, PRAIRIE HILLS, LOCUST ST.



ENTRANCE DETAIL

PLOT DATE: 8/6/2009
 PLOT SCALE: 1\"/>


**WOODFORD COUNTY
HIGHWAY DEPARTMENT**
 DENNIS BACHMAN, P.E., COUNTY ENGINEER
 301 S. Main St., P.O. Box 467
 Roanoke, IL 61561
 TEL: 309-923-2891
 FAX: 309-923-7928

F. A. S. RTE. 367
 SECTION 01-00100-00-RS
 C. H. #23
DETAIL SHEET
 SCALE: 1"=5'
 DATE: 8/6/2009
 DRAWN BY: BJH
 CHECKED BY: DDB