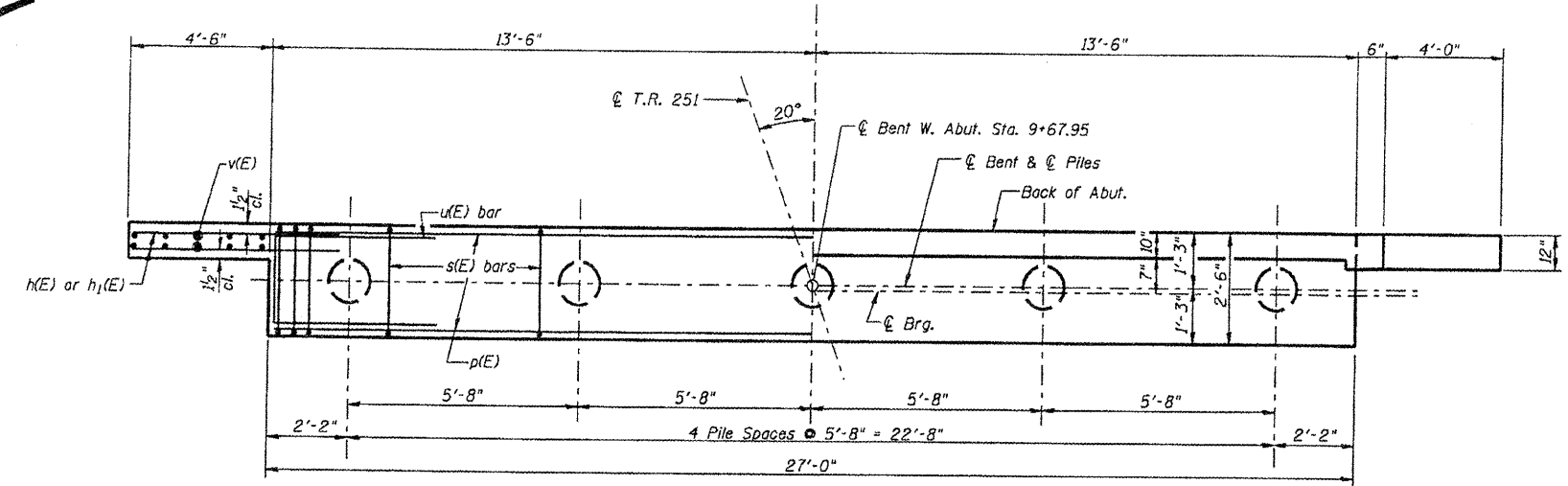




ROUTE NO.	SECTION	COUNTY	TOTAL SHEETS	SHEET NO.
T.R. 251	08-04126-00-BR	KNOX	8	10
FED. ROAD DIST. NO.	ILLINOIS PROJECT		Contract 89544	



PLAN

PILE DATA

Type & Size: Metal Shell - 12" dia. x 0.250 in. walls
 Nominal Required Bearing: 274 Kips
 Factored Resistance Available: 137 Kips
 Estimated Length: 46'-0"
 No. Required: 4 plus one permanent test pile

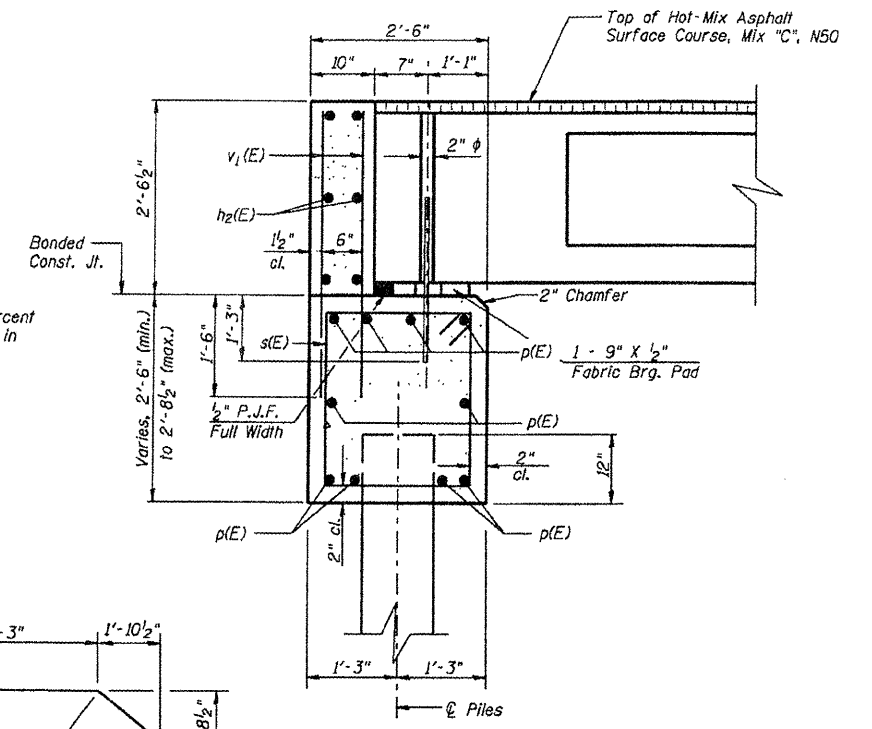
NOTES

- The Backwall and the portion of the Wingwalls above the bonded construction joint shall be cast against the in-place beam.
- 1" dia. x 2'-6" dowel rods in 1 1/2" dia. holes drilled in cap (4 each beam). Dowel rods to be grouted after beams are in place and allowed to cure (min. 24 hrs.) prior to grouting the shear keys. The grout shall be an approved non-shrink grout.
- Reinforcement bars designated (E) shall be Epoxy coated.
- Reinforcement bars shall conform to the requirements of A.S.T.M A706 Grade 60. See Special Provisions.
- Space reinforcement in cap to miss dowel rods.
- The Test Pile shall be driven to 110 Percent of the Nominal Required Bearing indicated in the Pile Data information.

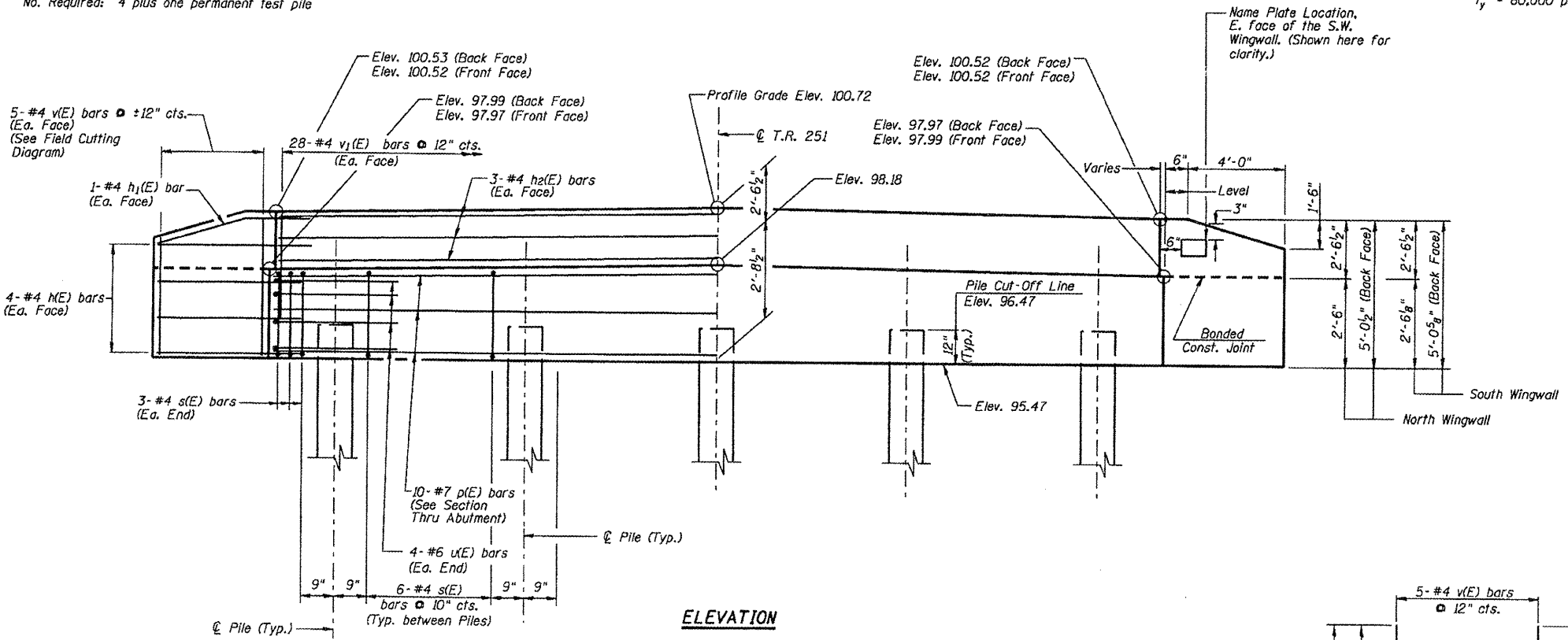
DESIGN STRESSES

$$f'_c = 3,500 \text{ psi}$$

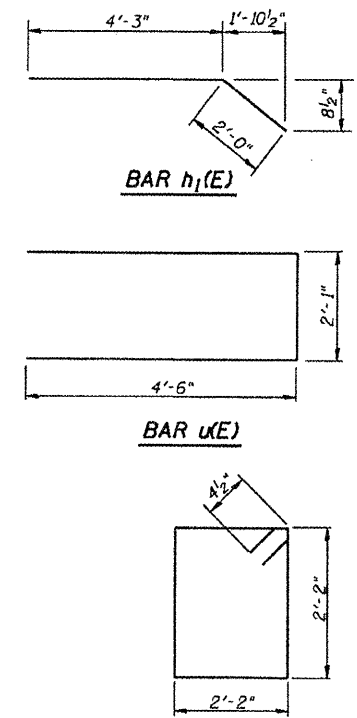
$$f_y = 60,000 \text{ psi}$$



SECTION THRU ABUT.
(At Rt. Angles)

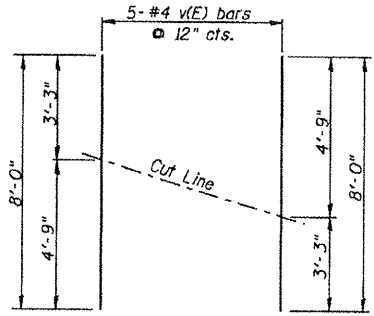


ELEVATION



BILL OF MATERIAL

Bar	No.	Size	Length	Shape
h(E)	16	#4	6'-0"	—
h1(E)	4	#4	6'-3"	—
h2(E)	6	#4	26'-8"	—
p(E)	10	#7	26'-8"	—
s(E)	30	#4	9'-5"	□
u(E)	8	#6	11'-1"	□
v(E)	10	#4	8'-0"	—
v1(E)	56	#4	3'-11"	—
Concrete Structures			Cu. Yd.	10.1
Reinforcement Bars, Epoxy Coated			Pound	1260
Furnishing Metal Shell Piles 12" x 0.250"			Foot	184
Driving Piles			Foot	184
Test Pile Metal Shells			Each	1



FIELD CUTTING DIAGRAM

WEST ABUTMENT

Date	Designed MJP	T.R. 251 OVER SWAB RUN CREEK SECTION 08-04126-00-BR KNOX COUNTY STA. 10+00.00 PROP. STR. NO. 048-3396	Sheet No.
Revisions	Drawn BKN		5
	Checked KWB		
	Approved KWB		URS Job No. 36432412
Prepared by: URS 345 East Ash Avenue Decatur, IL 62526			