

ROUTE NO.	SECTION	COUNTY	TOTAL SHEETS	SHEET NO.
MONTICELLO RD. CH 18 (FAS 531)	07-00419-00-RS	CHAMPAIGN	162	34
STA.	TO STA.			
F.H.W.A. REG.	ILLINOIS	PROJECT	ARA-HSIP-53K1081	

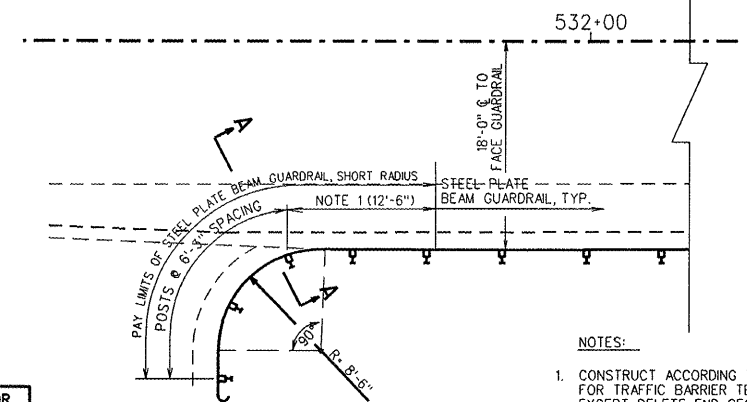
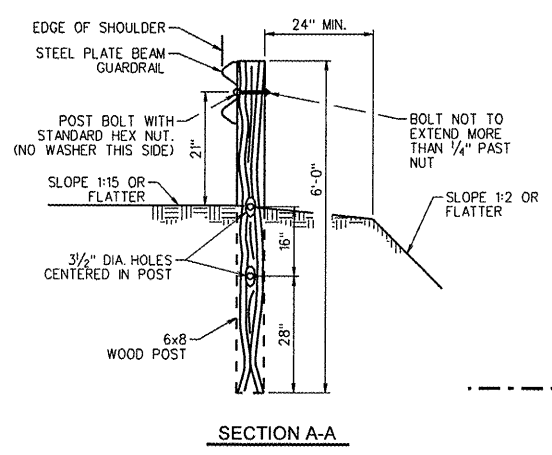
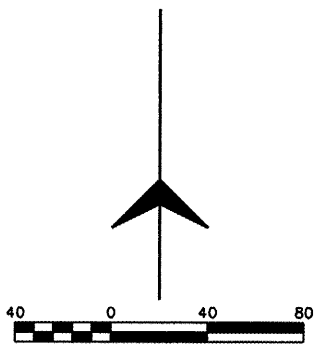
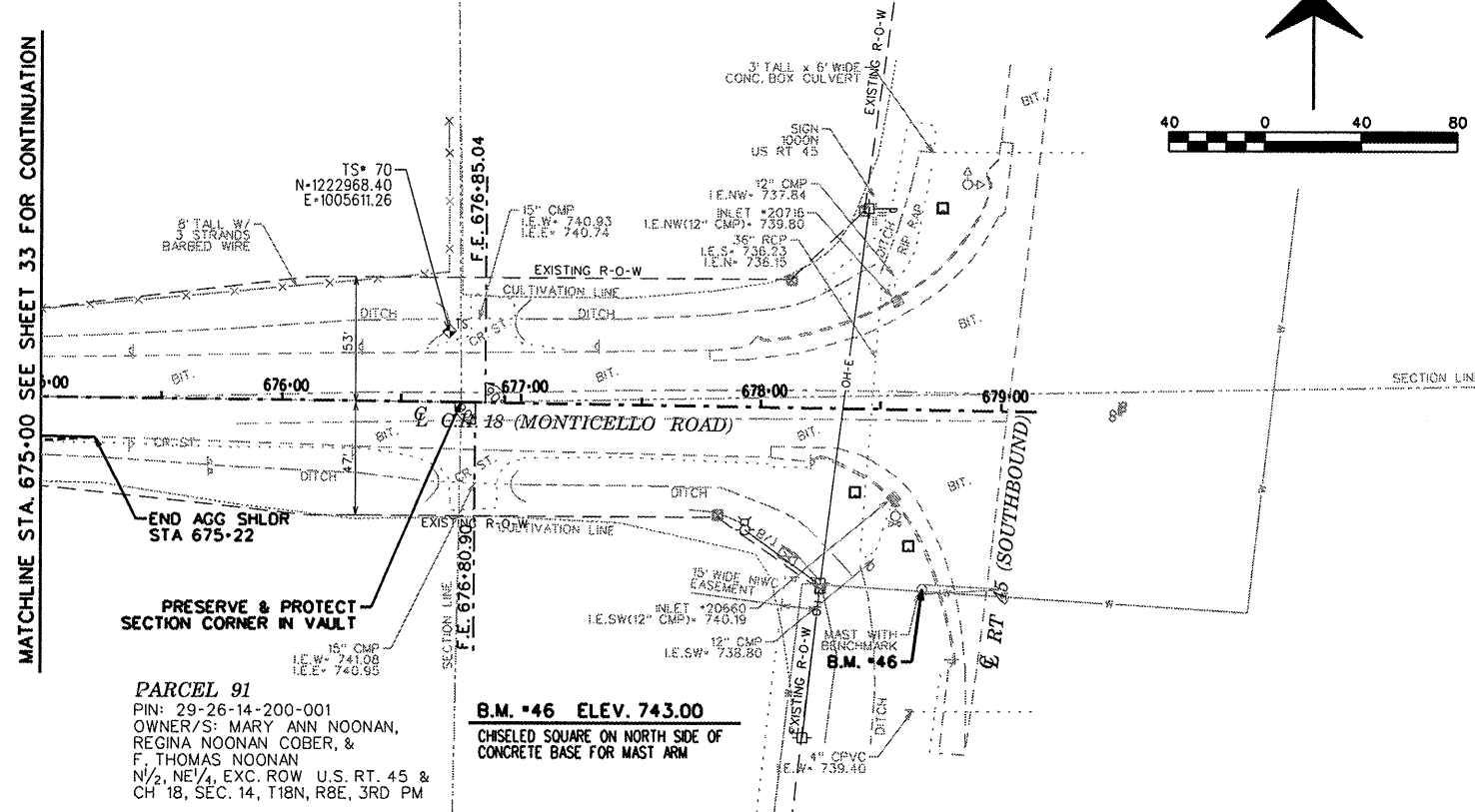
**PARCEL 90**  
 PIN: 29-26-11-400-002  
 OWNER/S:  
 U OF IBOARD OF TRUSTEES  
 SE 1/4, SEC. 11, T18N, R8E, 3RD PM  
 EXC. METES & BOUNDS

**PARCEL 92**  
 PIN: 29-26-12-300-001  
 OWNER/S: JOHN MAXWELL TRUST  
 SW 1/4, SEC. 12, T18N, R8E, 3RD PM

**PARCEL 91**  
 PIN: 29-26-14-200-001  
 OWNER/S: MARY ANN NOONAN,  
 REGINA NOONAN COBER, &  
 F. THOMAS NOONAN  
 N 1/2, NE 1/4, EXC. ROW U.S. RT. 45 &  
 CH 18, SEC. 14, T18N, R8E, 3RD PM

**B.M. #46 ELEV. 743.00**  
 CHISELED SQUARE ON NORTH SIDE OF  
 CONCRETE BASE FOR MAST ARM

MATCHLINE STA. 675+00 SEE SHEET 33 FOR CONTINUATION



SEE SCHEDULE FOR TYPE AND LOCATIONS OF GUARDRAIL

