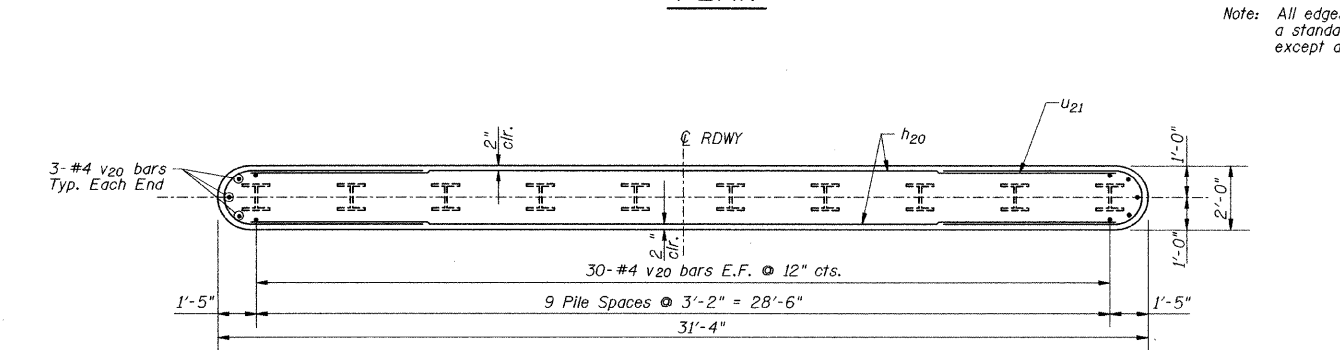
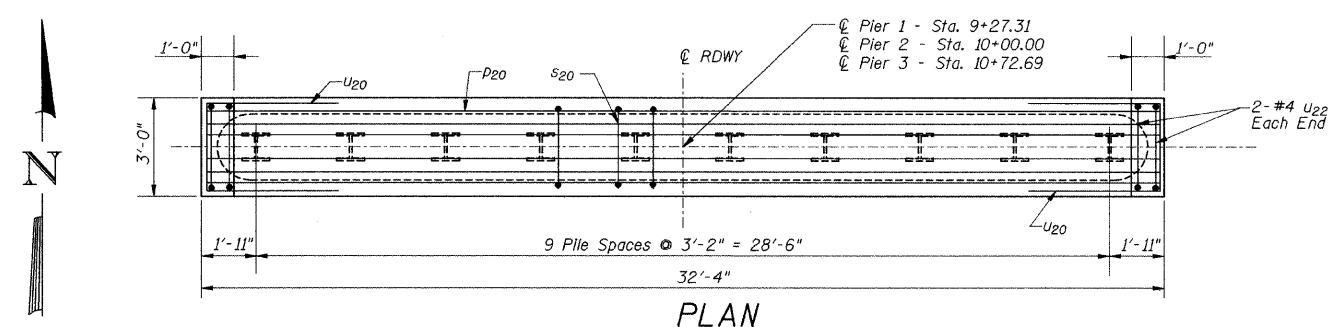
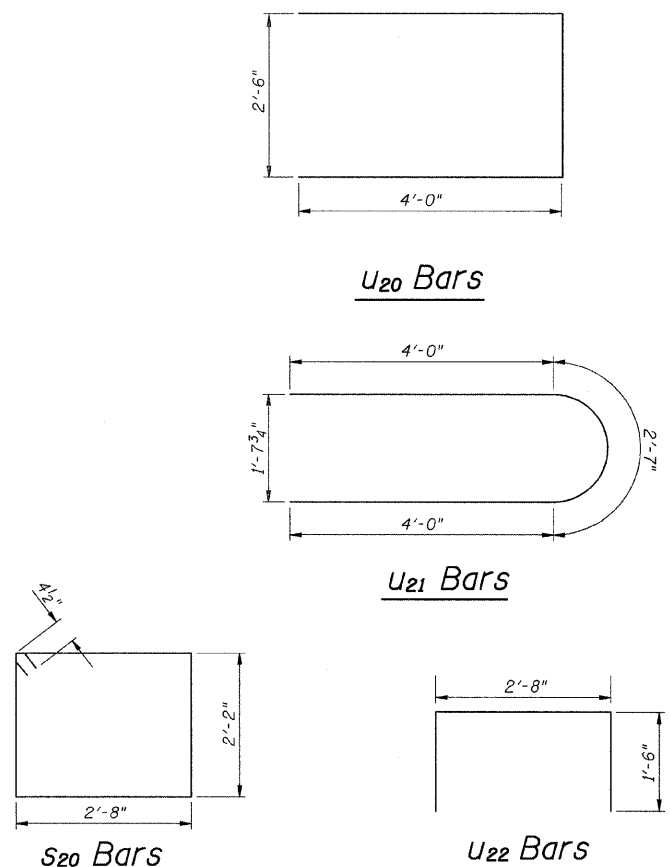
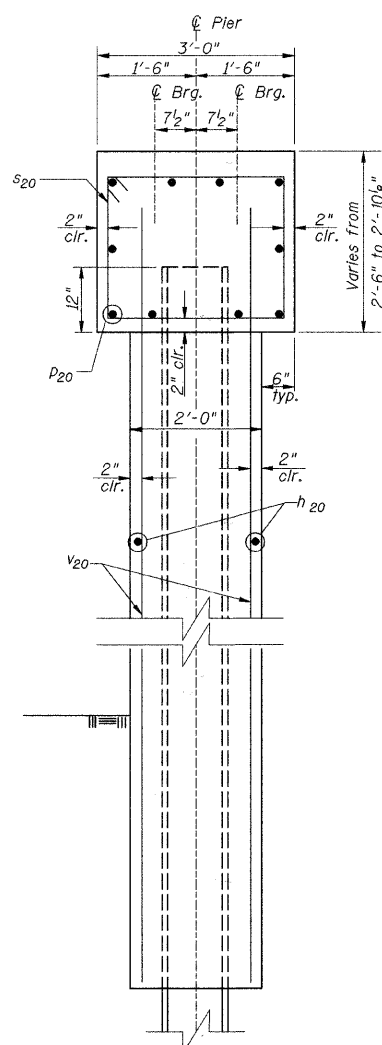
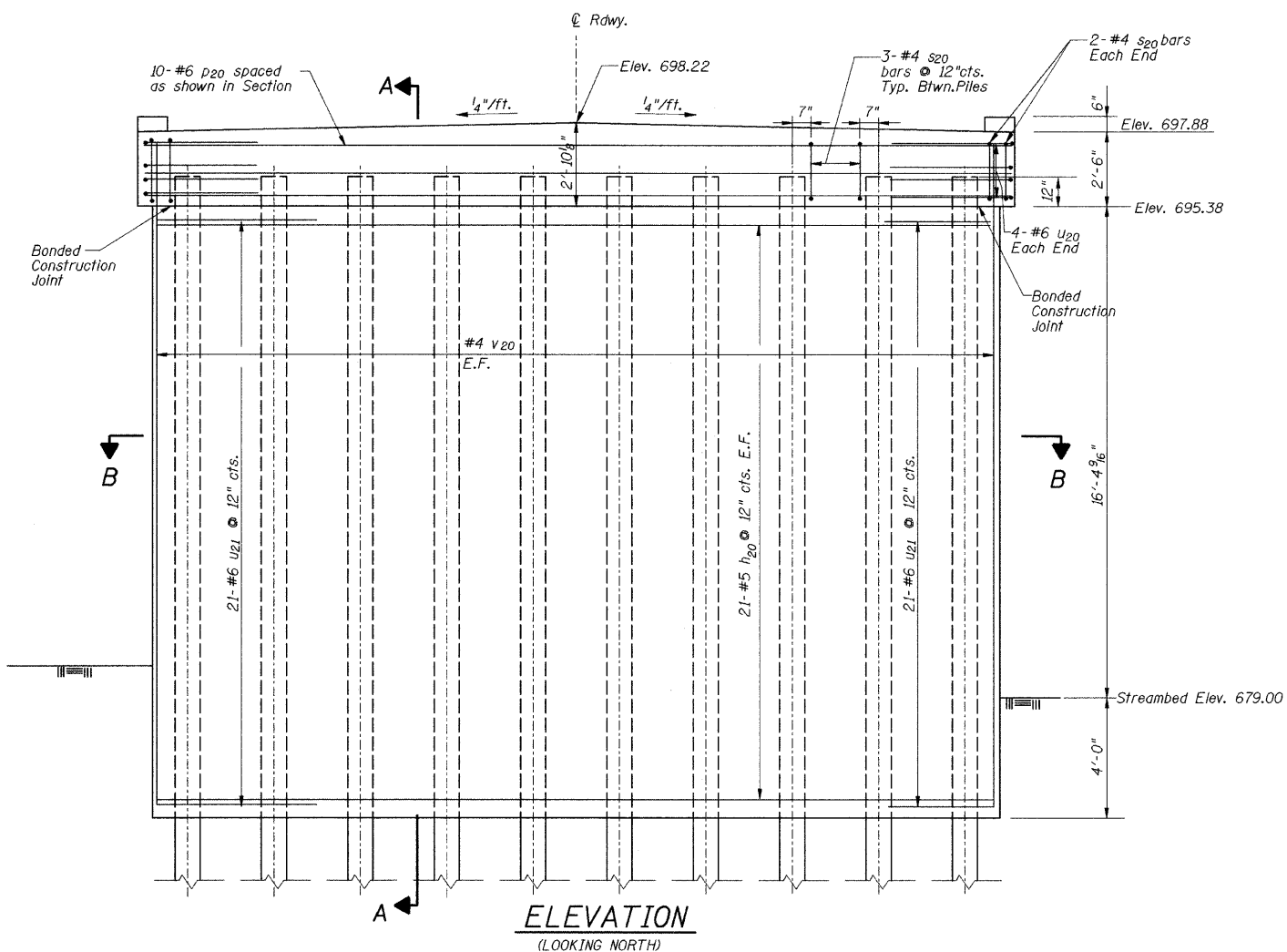


ROUTE NO.	SECTION	COUNTY	TOTAL SHEETS	SHEET NO.
C.H. 22	05-00907-00-BR	CHAMPAIGN	36	14
STA.	TO STA.			
F.H.W.A. REG.	ILLINOIS PROJECT			

PLAN	SURVEYED	DATE
	PLOTTED	
	ALIGNED	
	CHECKED	
	RT. OF WAY	
	CHECKED	
	NO.	

PROFILE	SURVEYED	DATE
	PLOTTED	
	GRADES	
	CHECKED	
	NO.	
	STRUCTURE	
	NOTATIONS	
	CHVD	



Note: All edges shall have a standard 3/4" chamfer except as noted.

**PILE DATA**  
 Type: Steel HP 12X53  
 No. Required: 10 Pier No. 1  
 9 Pier No. 2  
 10 Pier No. 3  
 Nominal Required Bearing: 327 kips  
 Allowable Resistance Available: 109 kips  
 Est. Length: 60 Feet all Piers  
 Test Pile: 1 @ Pier No. 2

**BILL OF MATERIAL (3 PIERS)**

Bar	No.	Size	Length	Shape
h <sub>20</sub>	126	#5	29'-0"	—
p <sub>20</sub>	30	#6	32'-0"	—
s <sub>20</sub>	93	#4	10'-5"	□
u <sub>20</sub>	24	#6	10'-6"	U
u <sub>21</sub>	126	#6	10'-7"	U
u <sub>22</sub>	12	#4	5'-8"	U
v <sub>20</sub>	198	#4	21'-8"	—
Concrete Structures			Cu. Yd.	169.4
Reinforcement Bars			Pound	11,190
Furnishing and Driving Steel Piles HP12x53			Foot	1740
Test Pile, Steel HP 12X53			Each	1
Pile Shoes			Each	30
Structure Excavation			Cu. Yd.	94

PIER DETAILS  
 SECTION: 05-00907-00-BR  
 CHAMPAIGN COUNTY  
 @ STATION 10+00