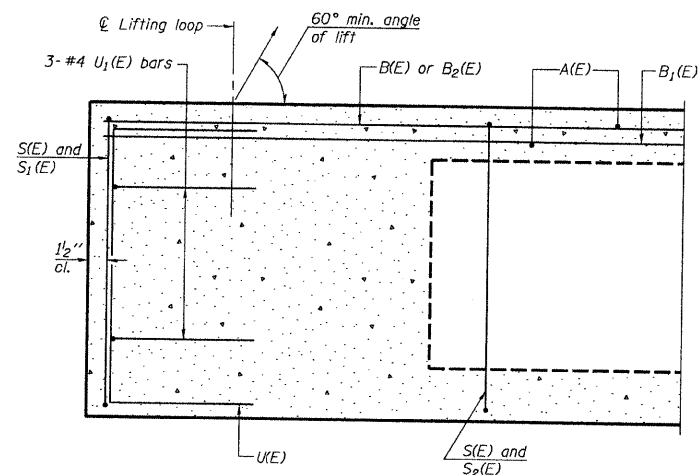
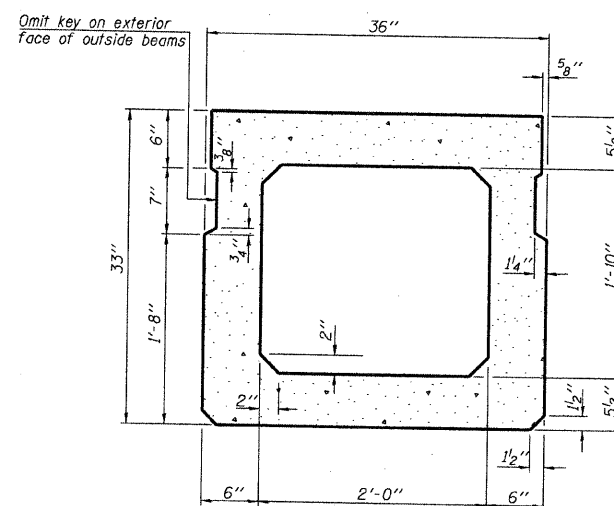


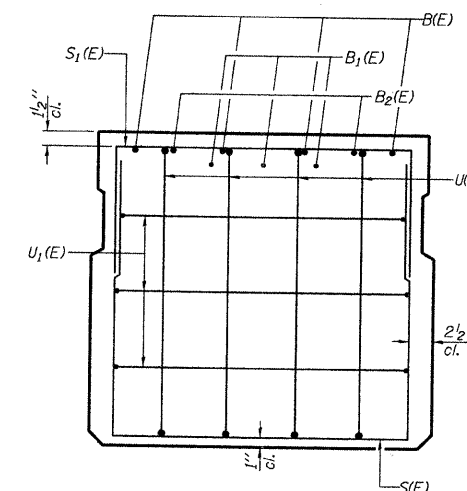
ROUTE NO.	SECTION	COUNTY	TOTAL SHEETS	SHEET NO.
C.H. 22	05-00907-00-BR	CHAMPAIGN	36	15
STA.	TO STA.			
F.H.W.A. REG.	ILLINOIS PROJECT			



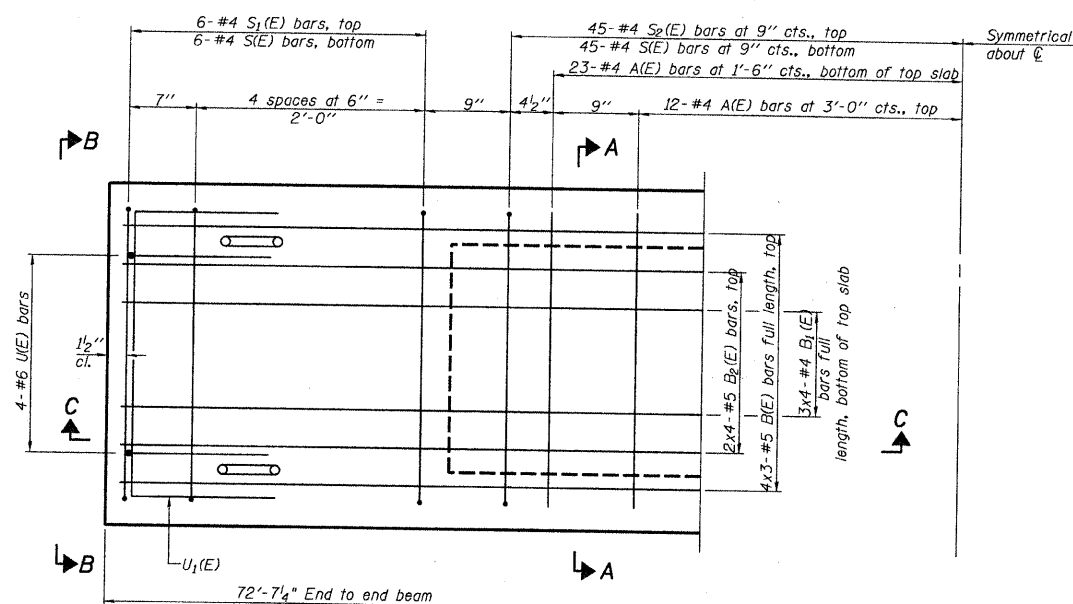
SECTION C-C



SECTION A-A  
(Showing dimensions)

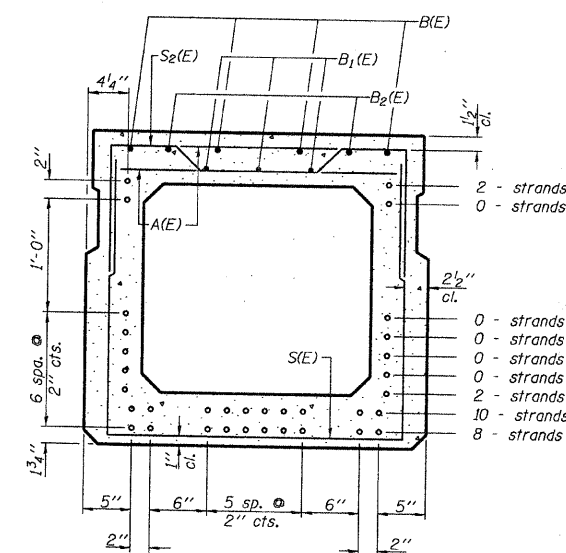


VIEW B-B



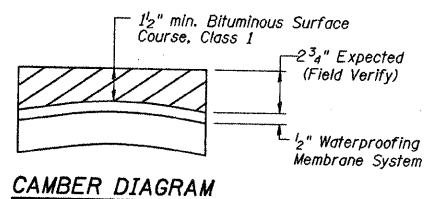
PLAN VIEW

Note: Spacing of S(E) and S2(E) bars may be adjusted up to 4" in the immediate area of the transverse tie diaphragms to miss the block outs for the transverse ties.

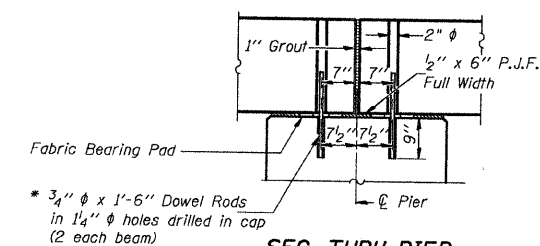


SECTION A-A

(Showing reinforcement and permissible strand locations)  
 Note: Place the number of strands specified in each row symmetrically about the centerline of beam in the permissible strand locations shown.  
 Strand Pattern 22SS (8@1 3/4", 10@3 3/4", 2@5 3/4", 2@27 3/4")

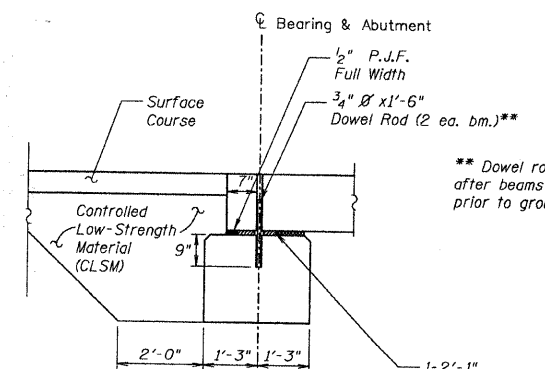


CAMBER DIAGRAM



SEC. THRU PIER

1" Joint shall be packed with a very dry mix of 2:1 sand and P.C. mortar. 1" dimension may vary plus or minus to accommodate tolerance in beam lengths.



SECTION AT ABUTMENTS

**BAR LIST**  
**ONE BEAM ONLY**  
 (For Information only)

Bar	No.	Size	Length	Shape
A(E)	70	#4	2'-7"	—
B(E)	12	#5	25'-7"	—
B1(E)	12	#4	19'-7"	—
B2(E)	8	#5	19'-11"	—
S(E)	102	#4	7'-5"	—
S1(E)	12	#4	6'-3"	□
S2(E)	90	#4	6'-6"	□
U(E)	8	#6	5'-0"	□
U1(E)	6	#4	5'-0"	□

Note: See sheet 16 of 36 for additional details and Bill of Material.

**33" x 36" PPC DECK BEAM**

SPANS 1, 2, 3, & 4

SUPER STRUCTURE  
 SECTION: 05-00907-00-BR  
 CHAMPAIGN COUNTY  
 CENTERLINE STATION 10+00