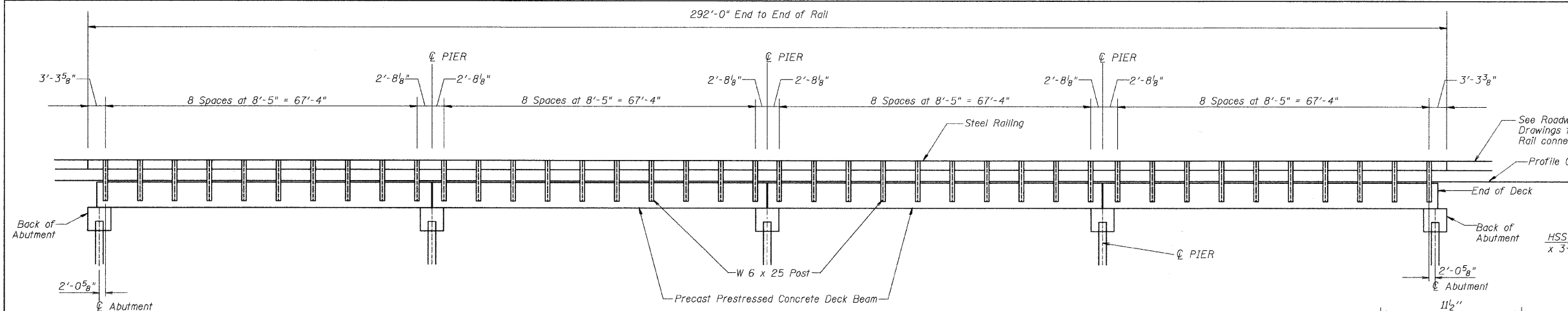
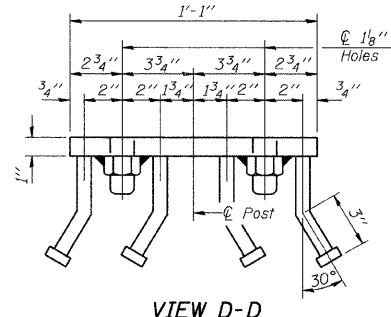
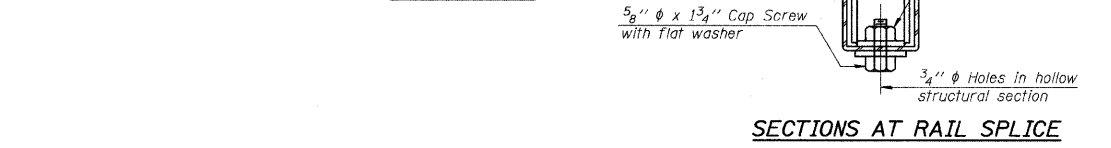
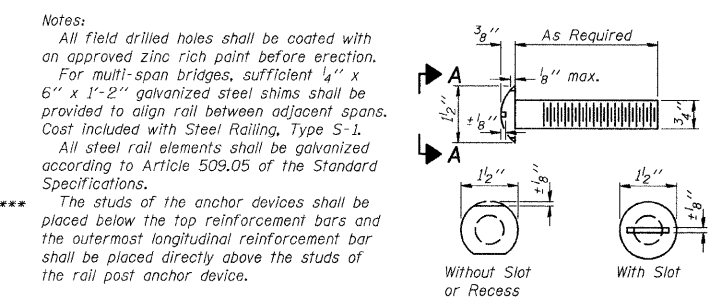
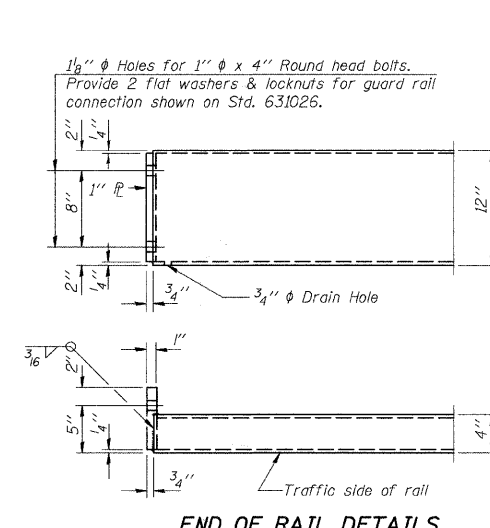
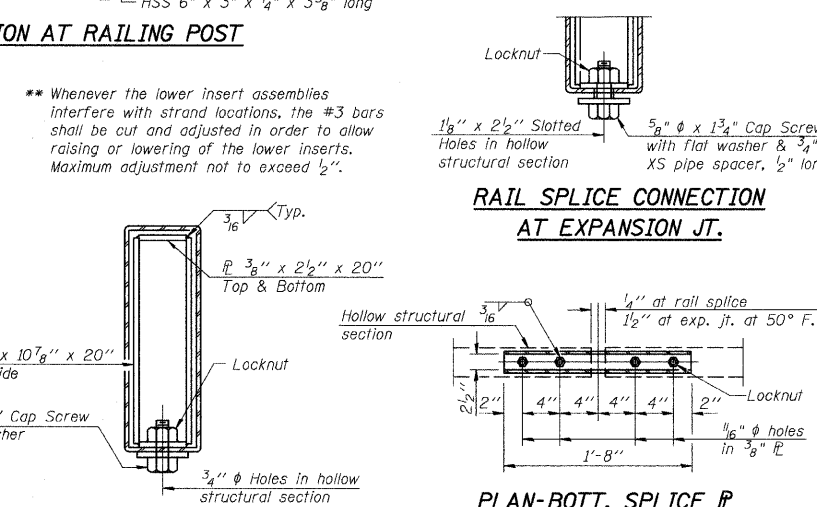
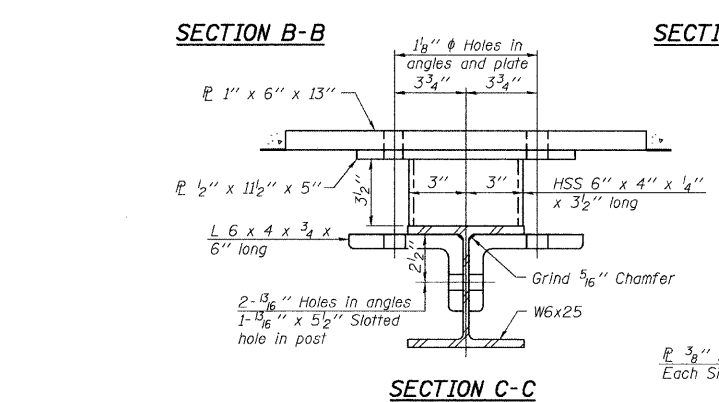
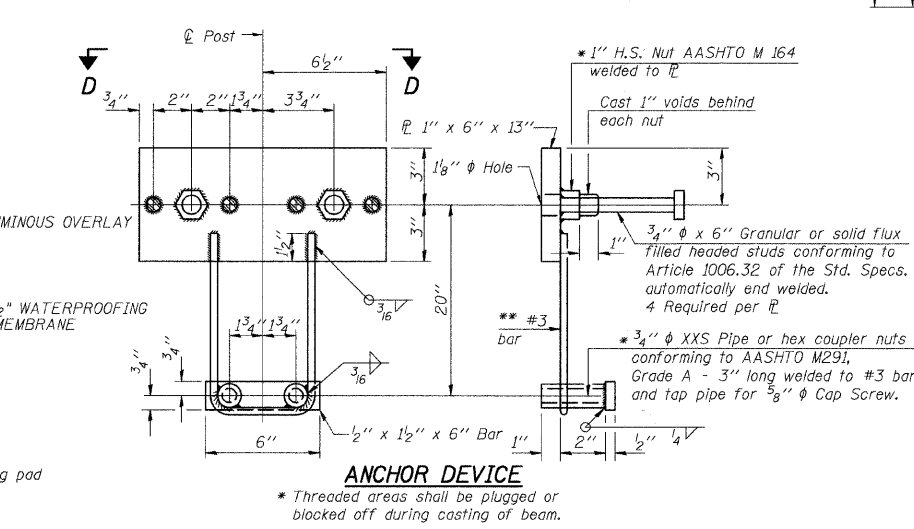
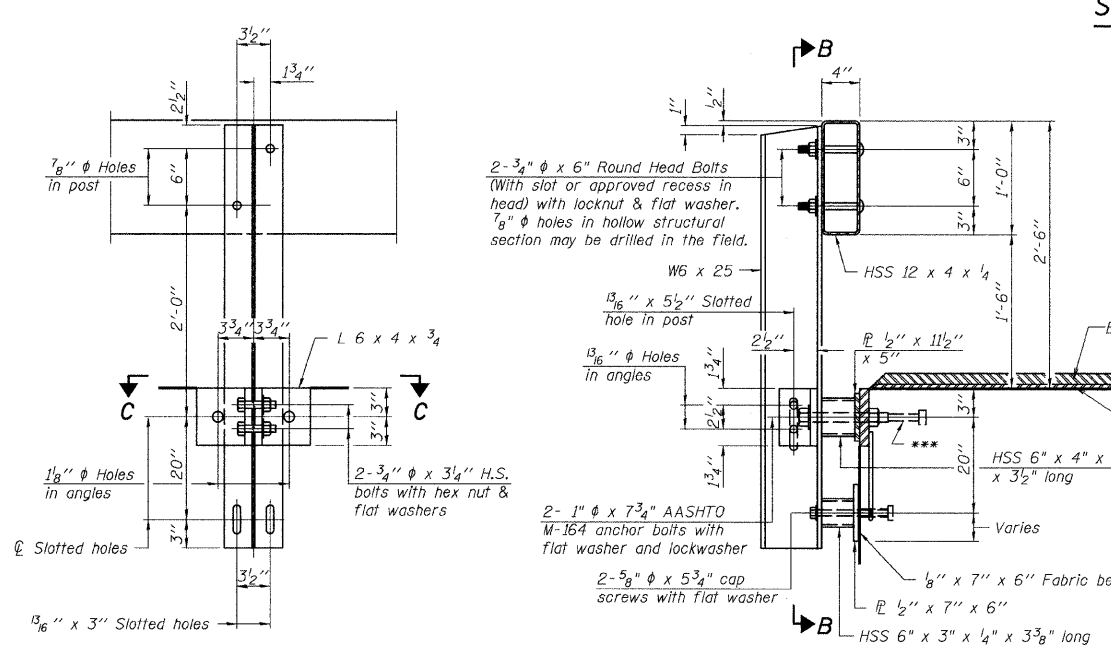
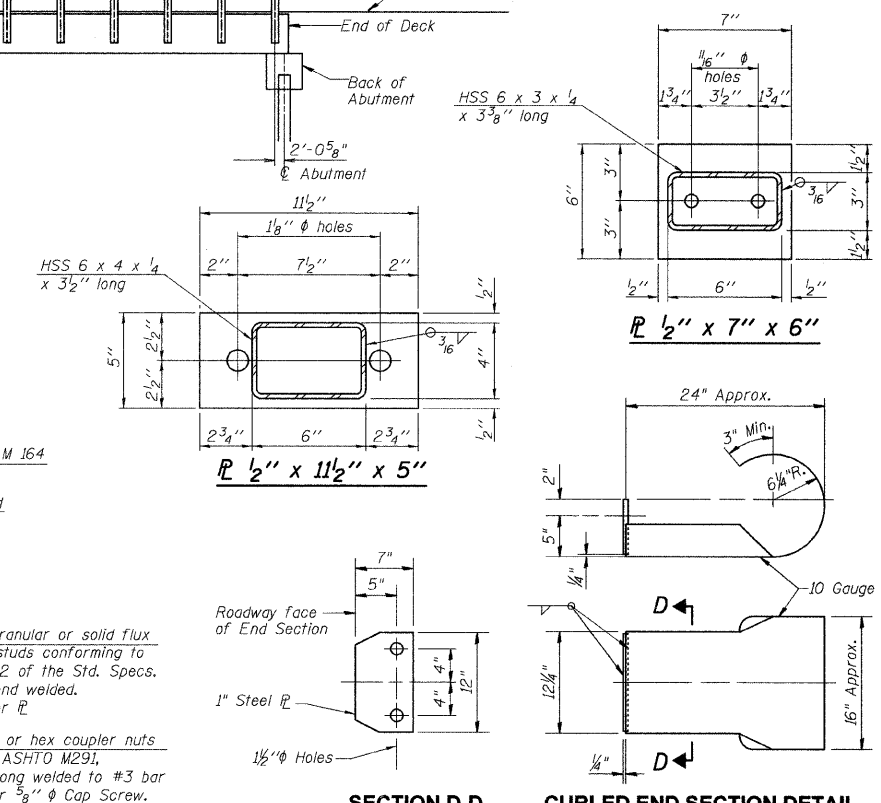


|               |                |           |              |           |
|---------------|----------------|-----------|--------------|-----------|
| ROUTE NO.     | SECTION        | COUNTY    | TOTAL SHEETS | SHEET NO. |
| C.H. 22       | 05-00907-00-BR | CHAMPAIGN | 36           | 17        |
| STA.          | TO STA.        |           |              |           |
| F.H.W.A. REG. | ILLINOIS       | PROJECT   |              |           |



**STEEL RAILING ELEVATION**  
**STEEL RAILING ELEVATION**



**BILL OF MATERIAL**

| Item                    | Unit | Quantity |
|-------------------------|------|----------|
| Steel Railing, Type S-1 | Foot | 584      |

**STEEL RAILING, TYPE S-1**  
SECTION: 05-00907-00-BR  
CHAMPAIGN COUNTY  
STATION 10+00

PLAN SURVEYED PLOTTED CHECKED  
NOTE BOOK ALIGNMENT RT. OF WAY  
NO. STRUCTURE NOTATIONS CHKD

PROFILE SURVEYED PLOTTED CHECKED  
NOTE BOOK GRADES CHECKED  
NO. STRUCTURE NOTATIONS CHKD

R-23A 11-1-06