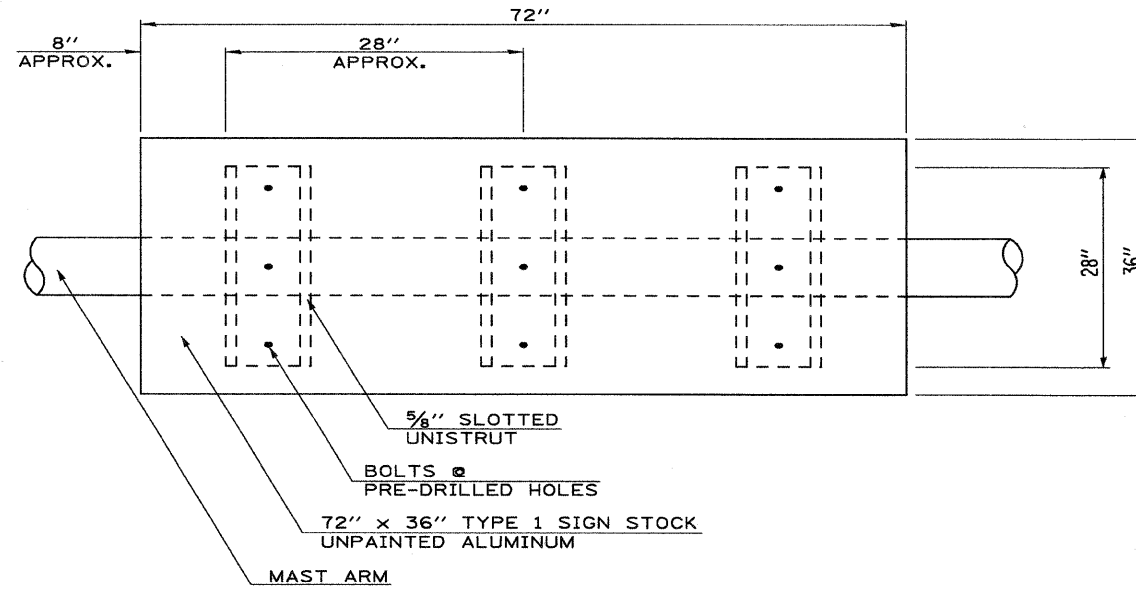
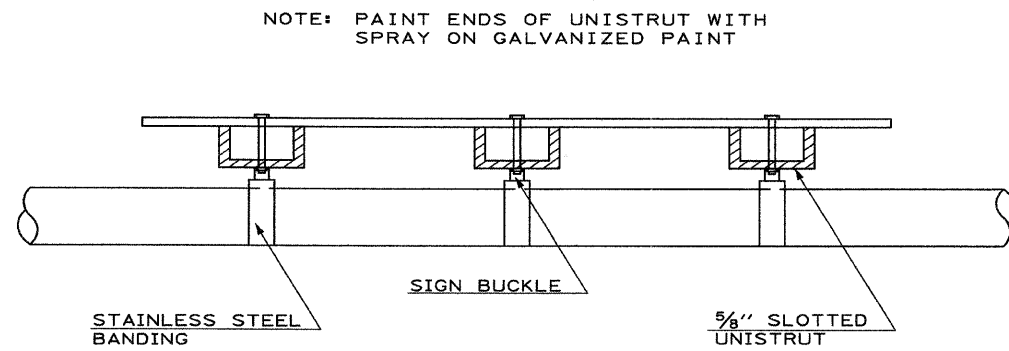


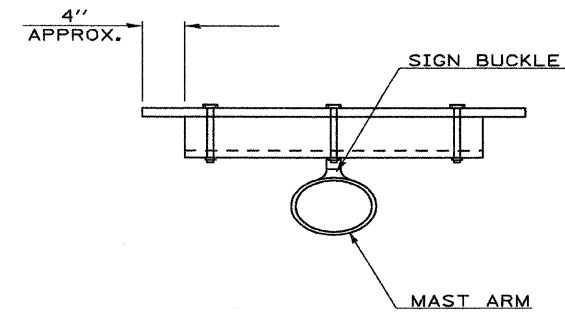
MAST ARM DAMPENING DEVICE MOUNTING DETAIL



PLAN VIEW



ELEVATION



CROSS SECTION

CITY OF BLOOMINGTON
ENGINEERING DEPARTMENT



SCALE N/A

BY : KAK
APPROVED
DATE : 7-20-2009

DESIGN BY : AES
DRAWN BY : JCK
REVISED : 7-20-2009
STANDARDS & MAST ARM LOADING DETAILS
HERSHEY ROAD & COLLEGE AVE. TRAFFIC SIGNALS SECTION NO. 05-00331-00-TL

SHEET
8 OF 8