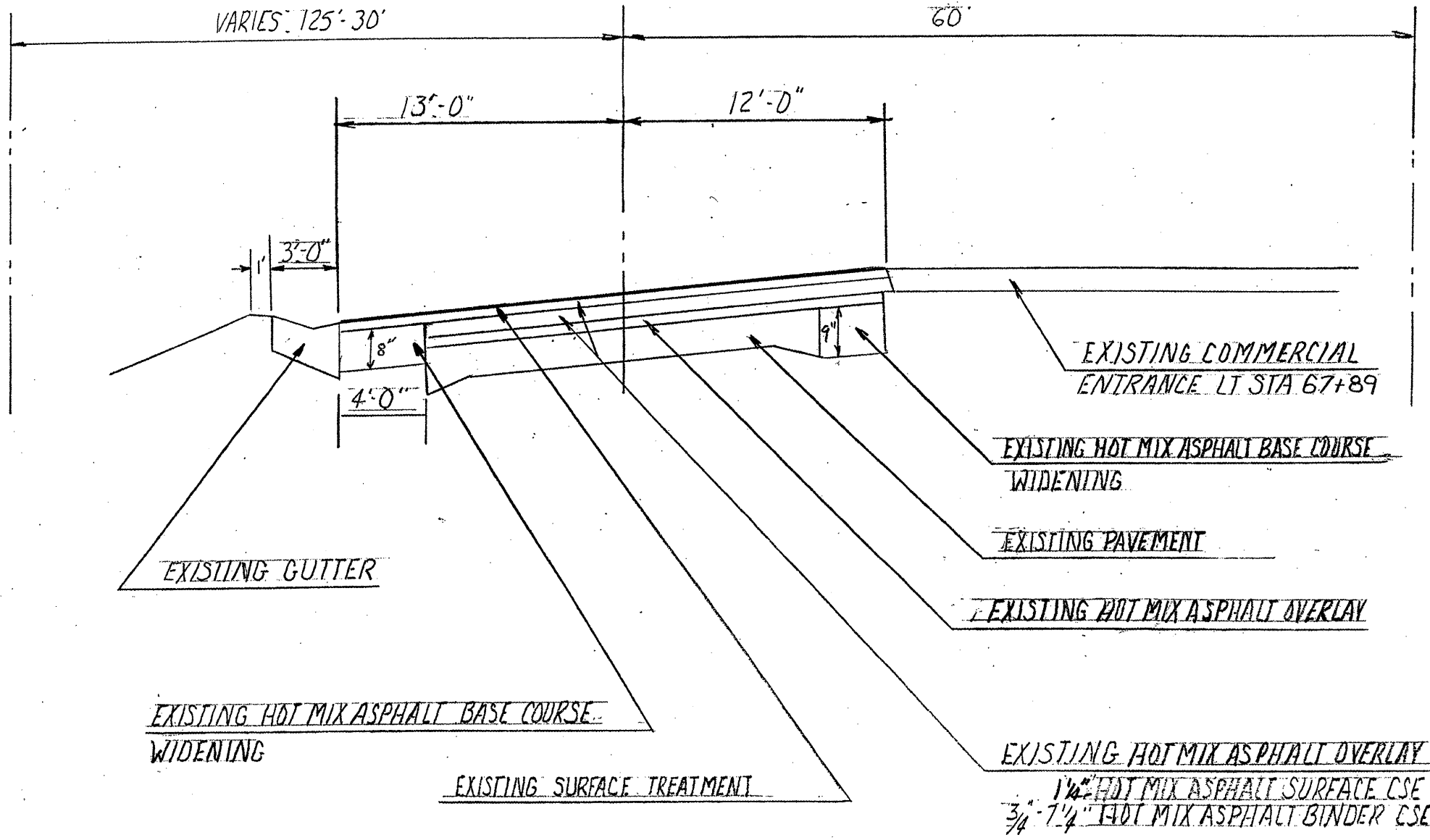


**EXISTING TYPICAL CROSS SECTION**

(Station 67+55 to Station 68+40)



Prepared by:  
Vermilion County Highway Dept.  
2732 Batesown Road  
Oakwood, Illinois 61858

DENMARK RD. (C.H. 20)  
2009 RESURFACING  
SECTION 07-00160-00-RS

SHEET 24  
OF 71  
June 29, 2009