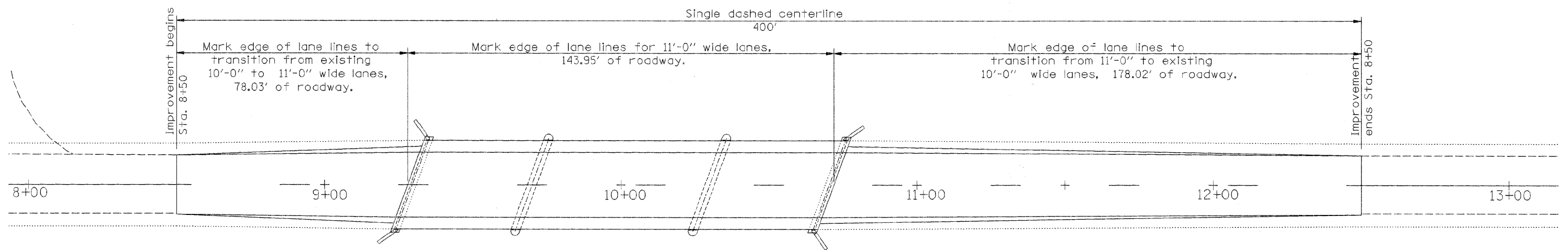


FAS 496	*	Vermilion	18	5
FED. ROAD DIST. CL. #		ILL. RES. PROJ. #		



BILL OF MATERIAL

ITEM	UNIT	QTY
Paint Pavement Marking - Line 4"	Foot	900

NOTE: Use in conjunction with Standard 780001-02

DSGN	K.J. Hoffmann				
DR	K.J. Hoffmann				
CHK	J.R. Wolf				
APVD	J.A. Frauenhoffer	NO.	DATE	REVISION	BY

FRAUENHOFFER
 Frauenhoffer and Associates, P.C. Consulting Engineers
 3002 Crossing Court Champaign, IL 61822 217-351-6268

PAVEMENT MARKING PLAN
 FAS 496 (C.H. 14) OVER MIDDLE BRANCH OF N. FORK
 SEC. 97-00141-00-BR
 VERMILION COUNTY

SHEET	5
DWG NO.	LINE.dgn
DATE	MAR 2009
PROJ NO.	97051