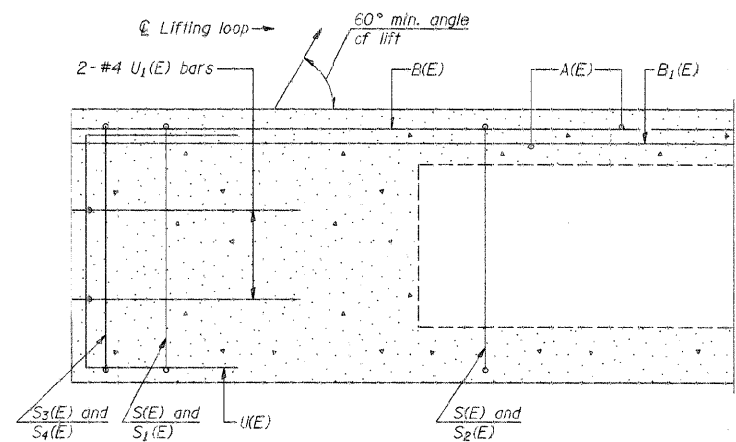
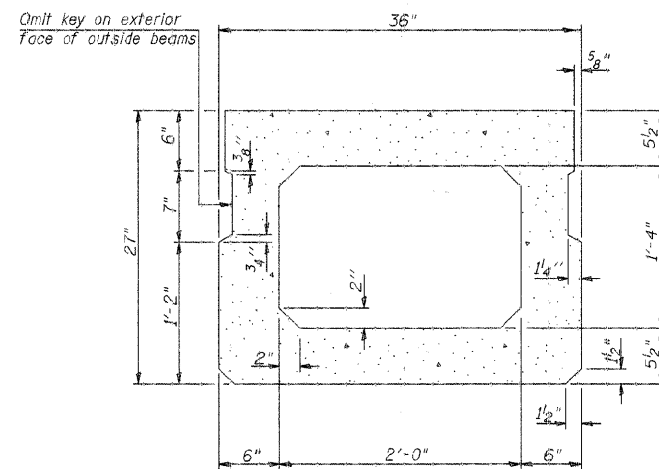


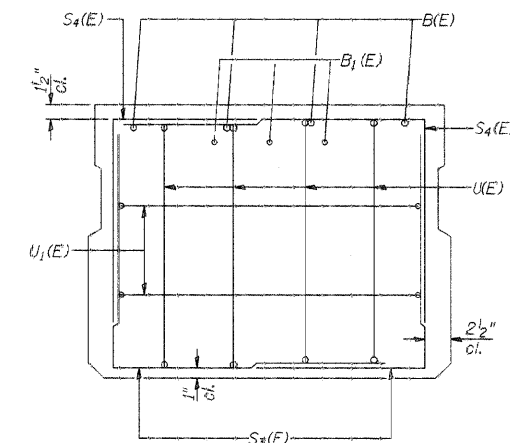
MULTI NO.	SECTION	COUNTY	SHEETS	NO.
FAS 496	*	Vermilion	18	14
DES. PROJ. DIST. NO.	ILL. NO.	PER. PROJ. NO.		



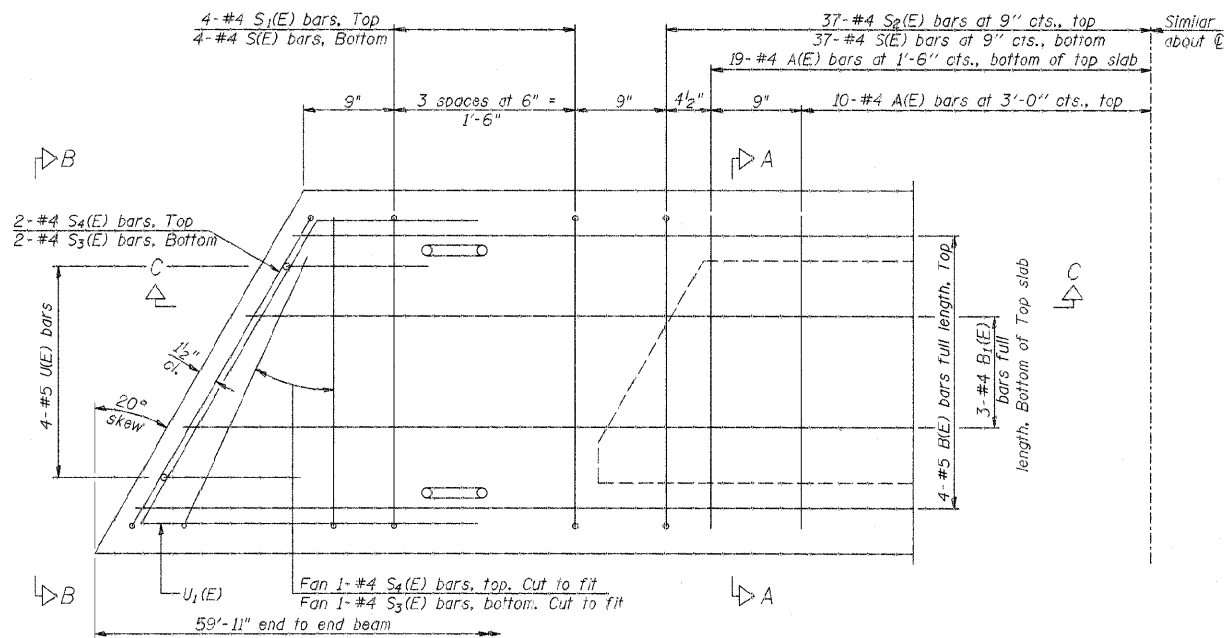
SECTION C-C



SECTION A-A
(Showing dimensions)

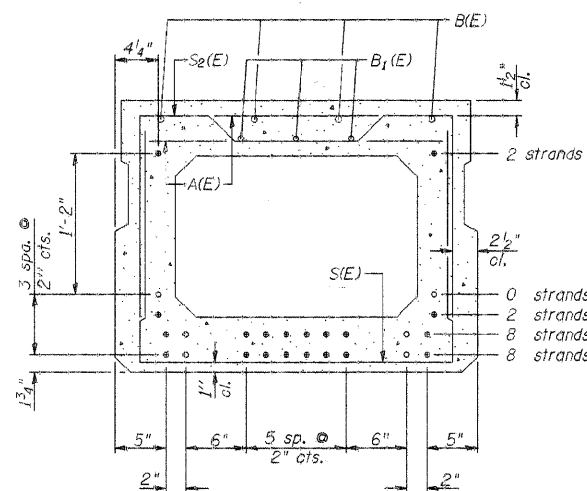


VIEW B-B



PLAN VIEW

Note: Spacing of S1(E) and S2(E) bars may be adjusted up to 4" in the immediate area of the transverse tie diaphragms to miss the block outs for the transverse ties.



SECTION A-A
(Showing reinforcement and permissible strand locations)
Note: Place the number of strands specified in each row symmetrically about the centerline of beam in the permissible strand locations shown.

BAR LIST
ONE BEAM ONLY
(For information only)

Bar	No.	Size	Length	Shape
A(E)	58	#4	2'-7"	—
B(E)	16	#5	17'-0"	—
B1(E)	12	#4	17'-0"	—
S(E)	82	#4	6'-5"	⌋
S1(E)	8	#4	5'-11"	⌋
S2(E)	74	#4	6'-2"	⌋
S3(E)	6	#4	4'-6"	⌋
S4(E)	6	#4	4'-3"	⌋
U(E)	8	#5	4'-6"	⌋
U1(E)	4	#4	6'-1"	⌋

Note: See sheet 4 of 4 for additional details and Bill of Material.

27" x 36" PPC DECK BEAM
STRUCTURE NO. 092-3457
SPAN 2

DSGN	K.J. Hoffmann				
DRI	K.J. Hoffmann				
CHK	J.R. Wolf				
APVD	J.A. Fraenhoffer	NO.	DATE	REVISION	BY