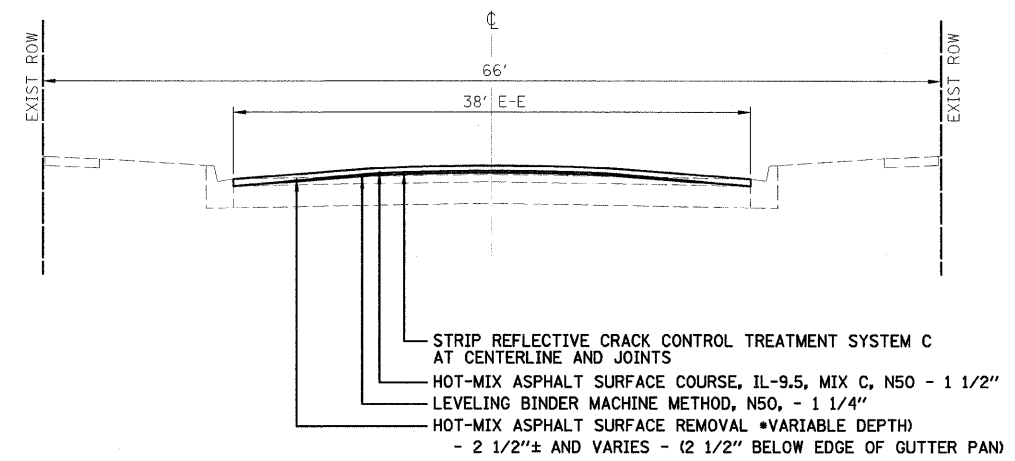


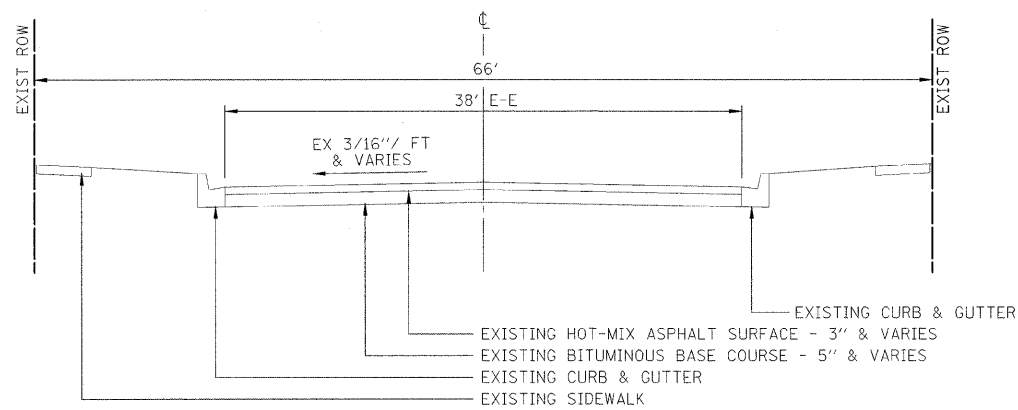
EXISTING TYPICAL SECTION (LOOKING EAST) EAST WASHINGTON STREET

(MADISON ST TO RAILROAD TRACKS)
STA 13+63 TO STA 19+43



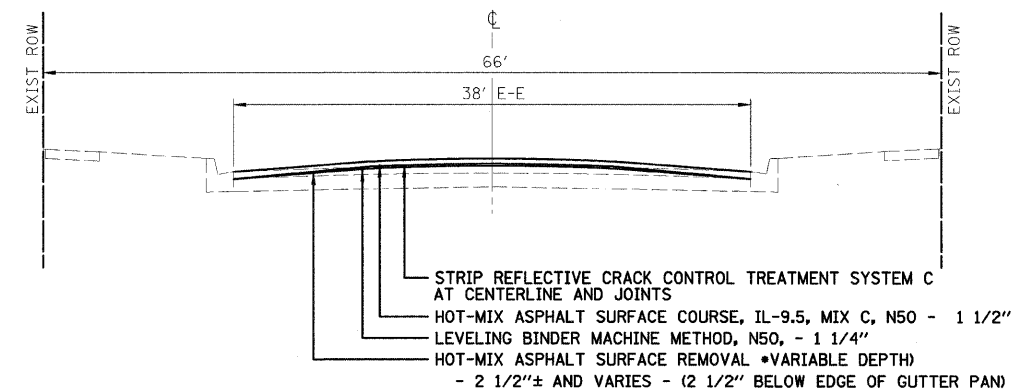
PROPOSED TYPICAL SECTION (LOOKING EAST) EAST WASHINGTON STREET

(MADISON ST TO RAILROAD TRACKS)
STA 13+63 TO STA 19+33.1



EXISTING TYPICAL SECTION (LOOKING EAST) EAST WASHINGTON STREET

(RAILROAD TRACKS TO ALEXANDER ST)
STA 19+43 TO STA 30+00



**PROPOSED TYPICAL SECTION (LOOKING EAST)
EAST WASHINGTON STREET**

(RAILROAD TRACKS TO ALEXANDER ST)
STA 19+63.1 TO STA 30+00

OMISSION: STA 19+33.1 TO STA 19+63.1

MIXTURE TABLE			
MIXTURE USE	SURFACE	LEVEL BINDER	CLASS D PATCH
AC/PG	PG 64-22	PG 64-22	PG 64-22
RAP % (MAX)	15	25	25
DESIGN AIR VOIDS	4.0% @ NDES=50	4.0% @ NDES=50	4.0% @ NDES=50
MIX COMP (GRADATION)	IL-9.5	IL-9.5	IL-19.0
FRICTION AGGREGATE	MIX C	MIX C	N.A.

DESIGNED - PJM	REVISED -
DRAWN - DRR	REVISED -
CHECKED - PJM	REVISED -
DATE - 07/08/09	REVISED -

CITY OF CLINTON

TYPICAL CROSS SECTIONS

**EAST WASHINGTON STREET (FAU RTE 7309)
MADISON STREET TO ALEXANDER STREET**

F.A.U.	SECTION	COUNTY	TOTAL SHEETS	SHEET NO.
7309	09-00049-00-RS	DEWITT	7	3
CONTRACT NO. 91415				
FED. ROAD DIST. NO.	ILLINOIS FED. AID PROJECT			