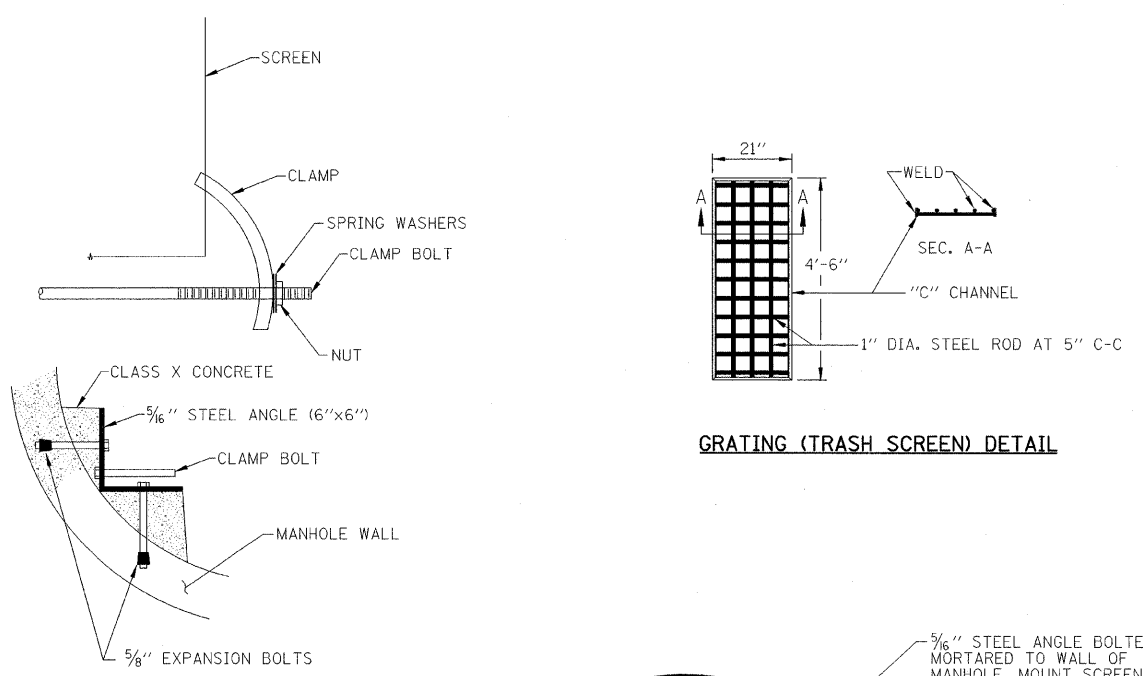
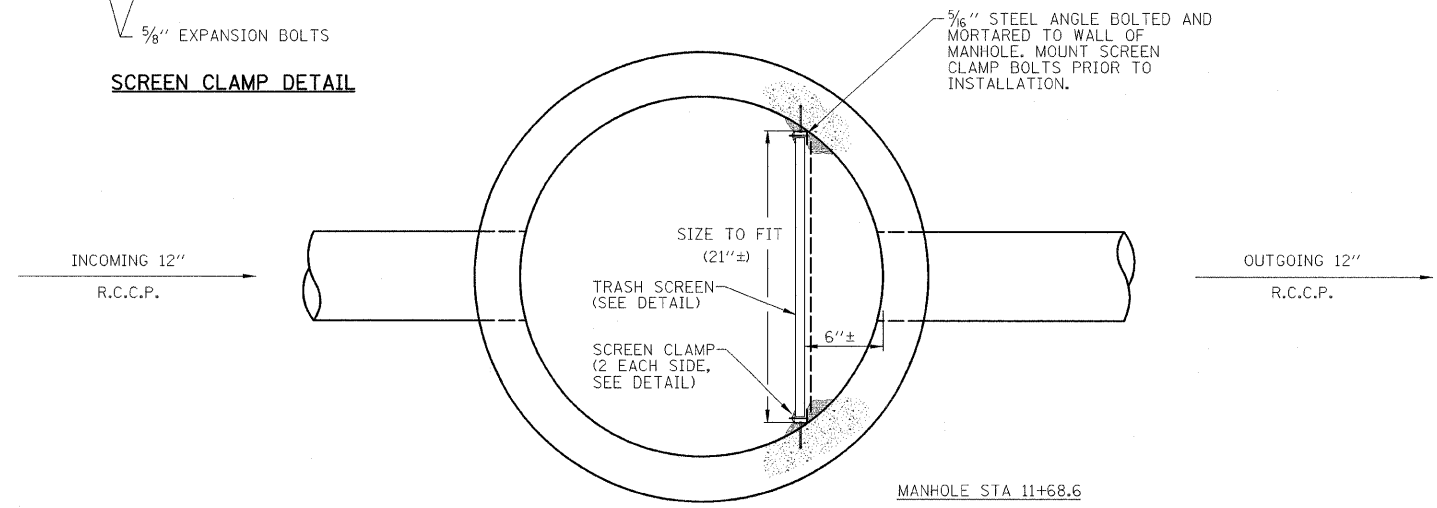


PIPE SUPPORT DETAIL

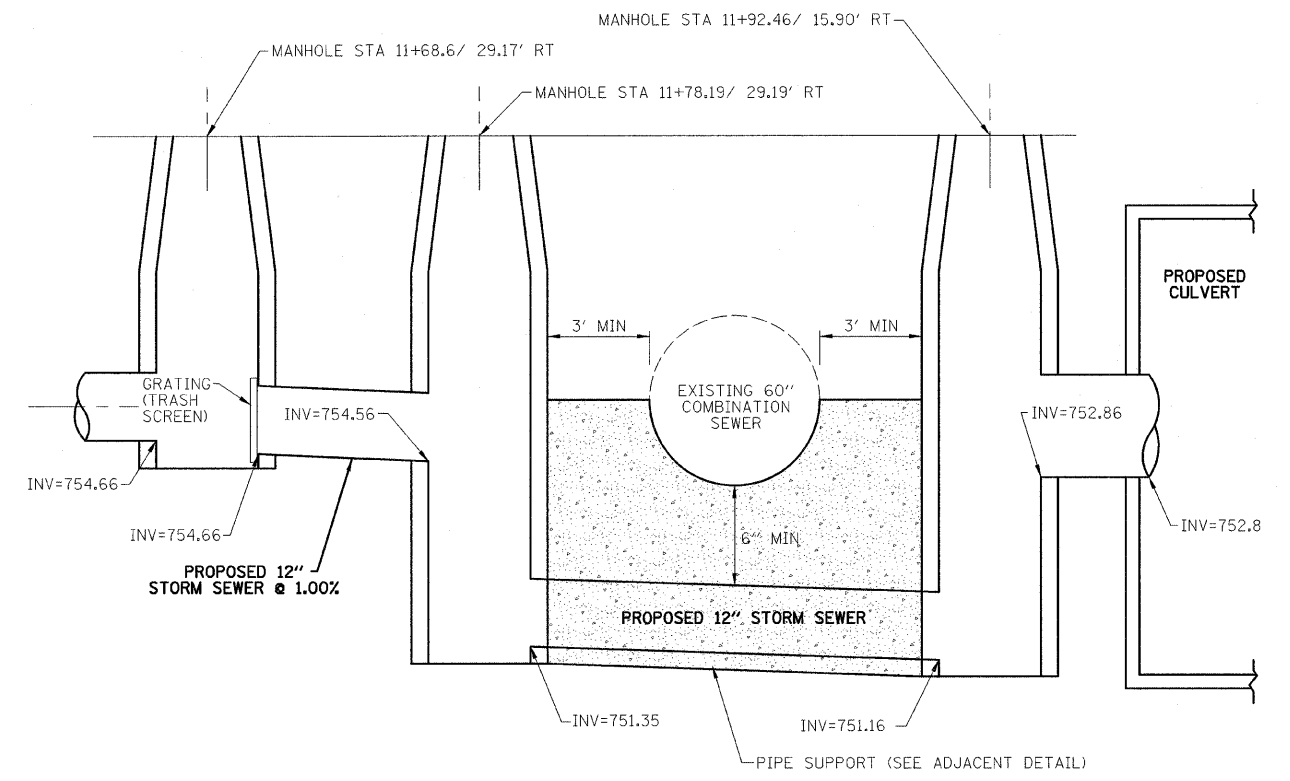


SCREEN CLAMP DETAIL

GRATING (TRASH SCREEN) DETAIL



MANHOLE STA 11+68.6



SIPHON PROFILE DETAIL

NTS

DESIGNED - JDA	REVISED -
DRAWN - DRR	REVISED -
CHECKED - PJM	REVISED -
DATE - 01/22/09	REVISED -

TOWN OF NORMAL

STORM SEWER DETAILS

VIRGINIA AVENUE OVER SUGAR CREEK
SECTION 04-00226-00-BR
MCLEAN, COUNTY

F.A.U.	SECTION	COUNTY	TOTAL SHEETS	SHEET NO.
6356	04-00226-00-BR	MCLEAN	52	16
S.N. 057-7834		CONTRACT NO. 91416		
FED. ROAD DIST. NO.		ILLINOIS FED. AID PROJECT		

FARNSWORTH GROUP, INC.

CONSULTING ENGINEERS - 2709 MCGRAW DRIVE BLOOMINGTON, ILLINOIS 61704 (309) 663-8435 / (309) 663-1571 FAX

24-6082