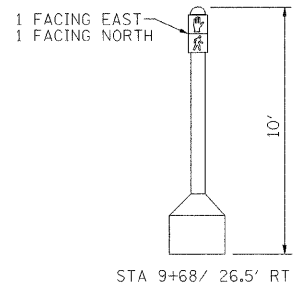
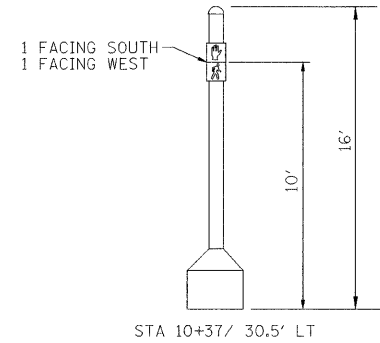


NORTHBOUND TRAFFIC SIGNAL
NORTHEAST CORNER OF
MAIN STREET AND VIRGINIA AVENUE

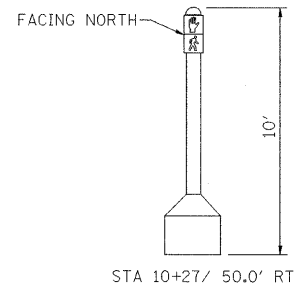
TOP OF FOUNDATION 6" ABOVE
PROPOSED FINISHED GRADE.
FOUNDATION DEPTH IS 13.5'
BELOW GRADE.



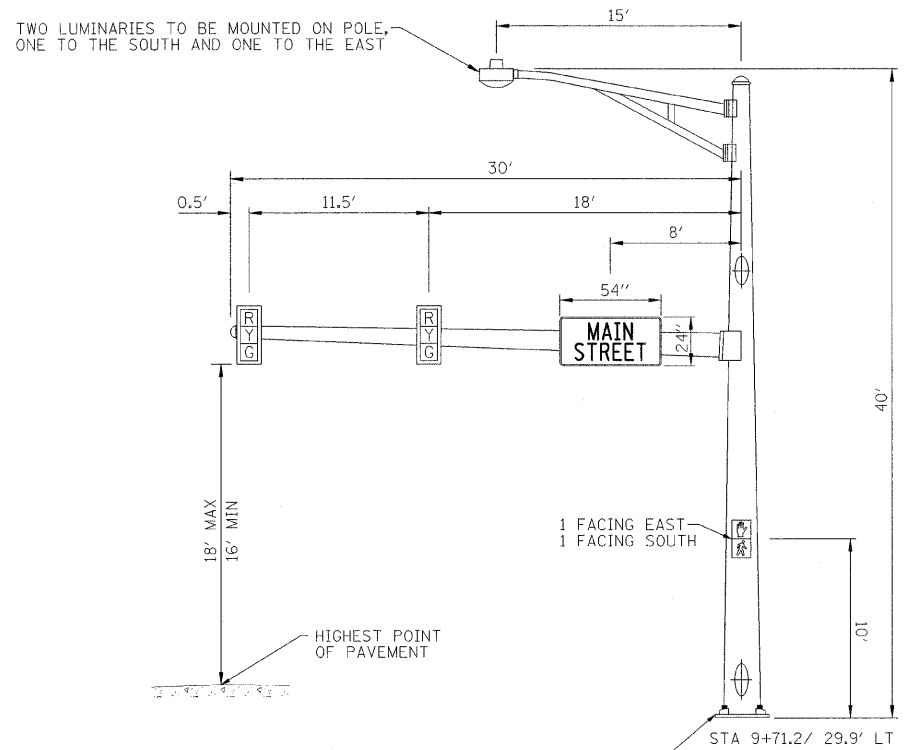
STA 9+68/ 26.5' RT



STA 10+37/ 30.5' LT

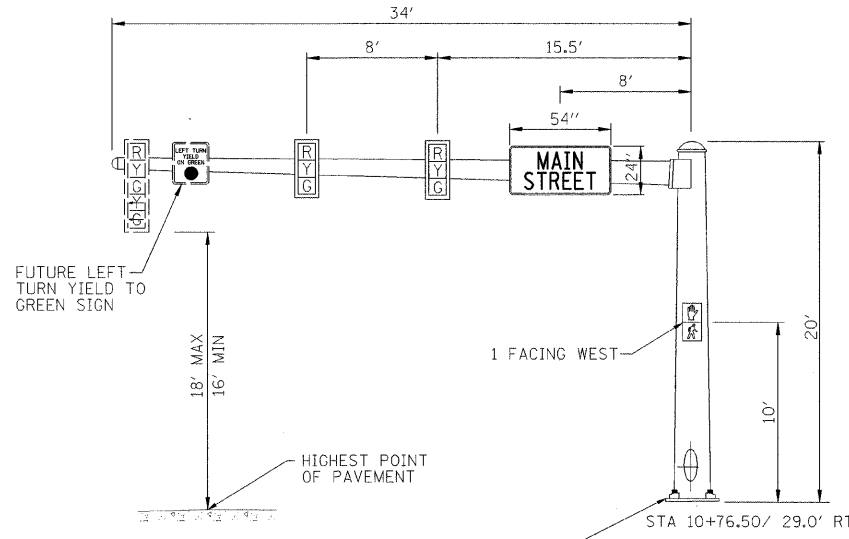


STA 10+27/ 50.0' RT



WESTBOUND VIRGINIA AVENUE TRAFFIC SIGNAL
NORTHWEST CORNER OF
MAIN STREET AND VIRGINIA AVENUE

TOP OF FOUNDATION 6" ABOVE
PROPOSED FINISHED GRADE.
FOUNDATION DEPTH IS 13.5'
BELOW GRADE.



EASTBOUND VIRGINIA AVENUE TRAFFIC SIGNAL
SOUTHEAST CORNER OF
MAIN STREET AND VIRGINIA AVENUE

TOP OF FOUNDATION 6" ABOVE
PROPOSED TOP OF CURB.
FOUNDATION DEPTH IS 18'
BELOW GRADE.

DESIGNED - JDA	REVISED -
DRAWN - DRR	REVISED -
CHECKED - PJM	REVISED -
DATE - 07/22/09	REVISED -

TOWN OF NORMAL

MAST ARM LOADING PLAN

SCALE: SHEET NO. 21 OF 52 SHEETS STA. TO STA.

VIRGINIA AVENUE OVER SUGAR CREEK
SECTION 04-00226-00-BR
MCLEAN, COUNTY

F.A.U.	SECTION	COUNTY	TOTAL SHEETS	SHEET NO.
6356	04-00226-00-BR	MCLEAN	52	21
S.N. 057-7834		CONTRACT NO. 91416		
FED. ROAD DIST. NO. ILLINOIS FED. AID PROJECT				