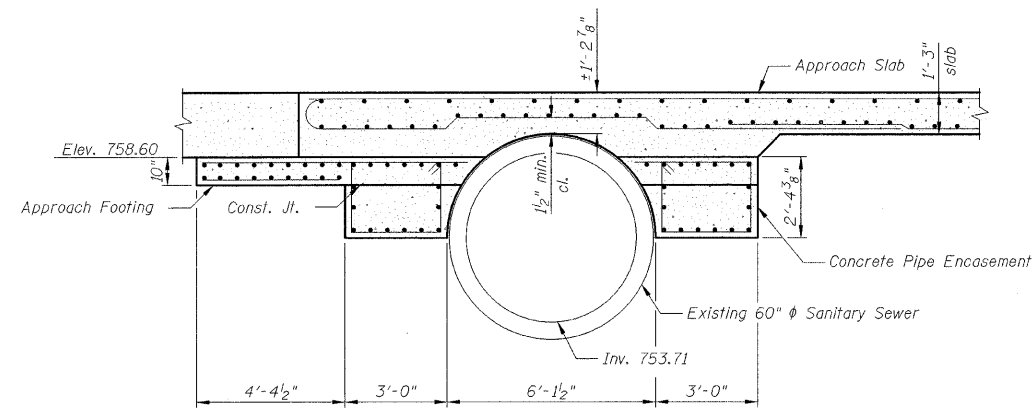


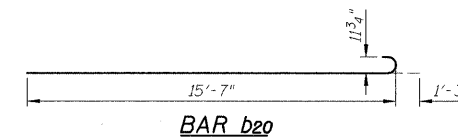
**WEST APPROACH FOOTING,  
NORTH END**

Note: See Section B-B for reinforcement callouts and details.

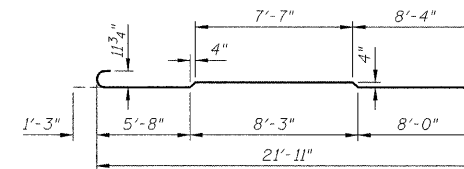


**WEST APPROACH FOOTING,  
SOUTH END**

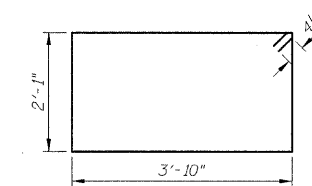
Note: See Section B-B for reinforcement callouts and details.



**BAR b20**



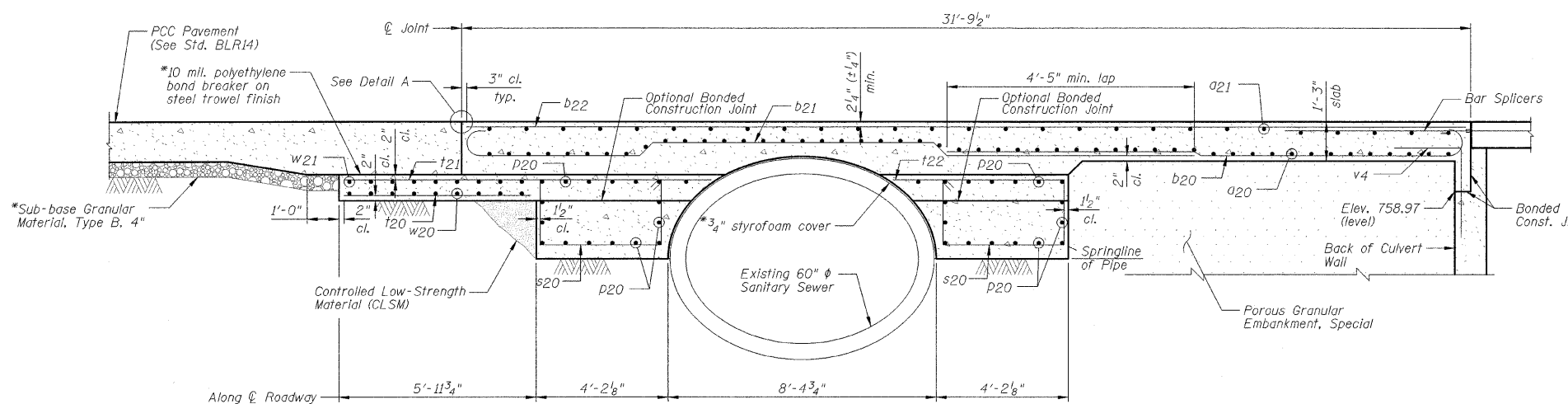
**BAR b21**



**BAR s20**

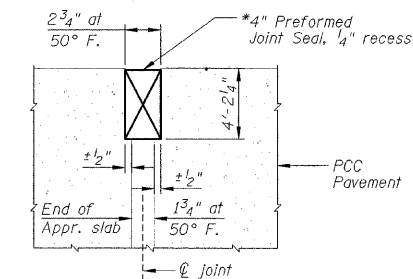
**WEST APPROACH SLAB  
BILL OF MATERIAL**

Bar	No.	Size	Length	Shape
q20	150	#5	25'-7"	
q21	54	#4	37'-4"	
q22	54	#6	14'-6"	
q23	2	#4	5'-0"	
q24	4	#5	6'-0"	
b20	125	#9	16'-10"	
b21	125	#9	23'-5"	
b22	52	#4	33'-3"	
b23	8	#5	4'-0"	
b24	4	#4	5'-0"	
b25	6	#9	9'-6"	
d20	28	#5	3'-10"	
d21	28	#5	4'-6"	
d22	28	#5	4'-8"	
d23	30	#5	2'-10"	
e20	14	#4	18'-9"	
e21	2	#8	15'-2"	
e22	4	#4	29'-7"	
p20	68	#5	37'-6"	
s20	104	#4	12'-7"	
t20	52	#4	5'-6"	
t21	52	#4	10'-8"	
t22	52	#4	4'-8"	
w20	27	#5	25'-7"	
w21	18	#5	37'-6"	
Item	Unit	Quantity		
Concrete Superstructure	Cu. Yd.	89.4		
Concrete Structures	Cu. Yd.	54.3		
Reinforcement Bars, Epoxy Coated	Pound	31,540		
Controlled Low-Strength Material	Cu. Yd.	4		



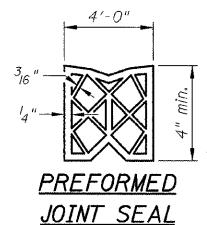
**SECTION B-B**

(of Roadway Looking North)



**RIGID PAVEMENT**

**DETAIL A**



**NOTE:**

\*Cost included with Concrete Superstructure.

DESIGNED - SDH	REVISED -
DRAWN - JWK	REVISED -
CHECKED - MSW	REVISED -
DATE - 07/22/2009	REVISED -

<b>TOWN OF NORMAL</b>	
-----------------------	--

<b>WEST APPROACH SLAB</b>	
SCALE:	TO STA.

<b>VIRGINIA AVENUE OVER SUGAR CREEK</b>	
<b>SECTION 04-00226-00-BR</b>	
<b>MCLEAN COUNTY</b>	

F.A.U.	SECTION	COUNTY	TOTAL SHEETS	SHEET NO.
6366	04-00226-00-BR	MCLEAN	52	34
<b>S.N. 057-7834</b>		<b>CONTRACT NO. 91416</b>		
FED. ROAD DIST. NO. [ILLINOIS] FED. AID PROJECT				