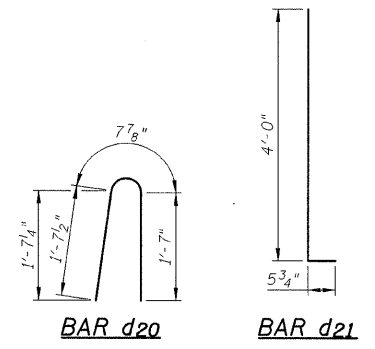
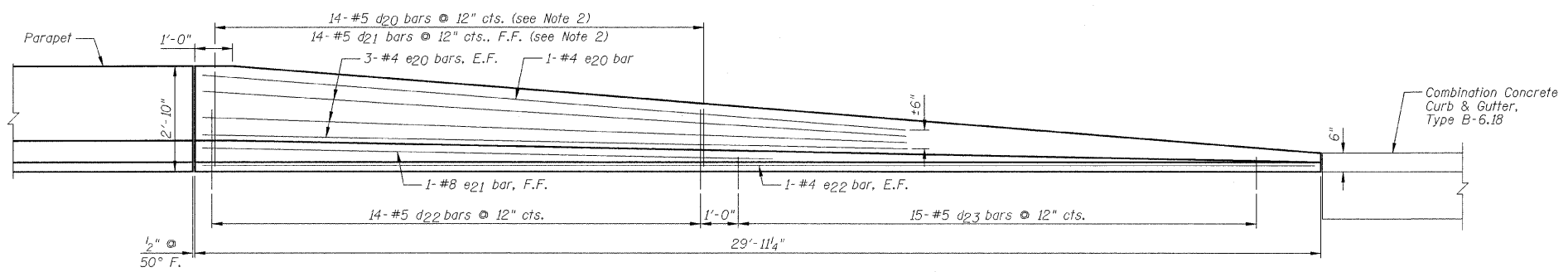


TYPICAL PLAN

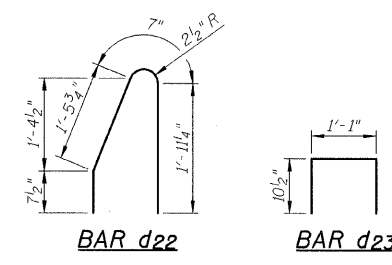


BAR d20

BAR d21

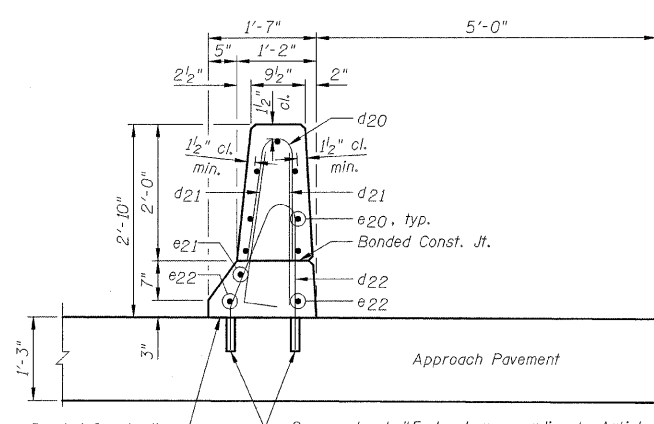


TYPICAL INSIDE ELEVATION VIEW

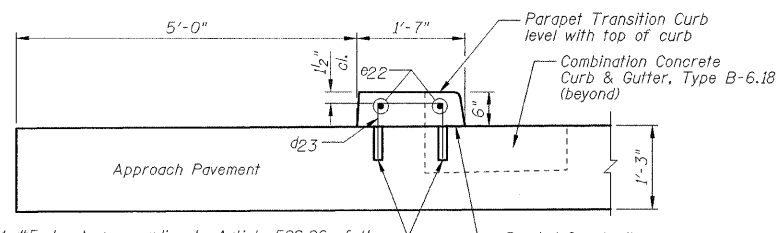


BAR d22

BAR d23



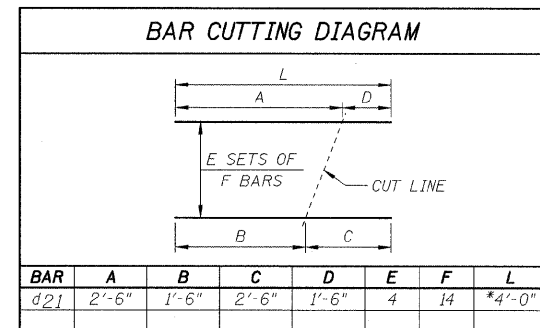
SECTION A-A



SECTION B-B

Bonded Const. Jt. Core and set #5 d22 bar according to Article 509.06 of the Standard Specifications. Cored holes shall be roughened or scored per manufacturer's recommendations. Maximum depth of hole shall not exceed 6".

Bonded Const. Jt. Core and set #5 d23 bar according to Article 509.06 of the Standard Specifications. Cored holes shall be roughened or scored per manufacturer's recommendations. Maximum depth of hole shall not exceed 6".



* Length does not include 5 3/4" hook at end.

NOTES:

- 1.) Cut bars as required to maintain clearance.
- 2.) Order d20 bars and d21 bars full length. Cut d21 according to Bar Cutting Diagram. Use remainder of d21 bars in B.F., opposite end. Discard remainder of d20 bars.
- 3.) Parapet transition concrete shall be paid for as Concrete Superstructure.

DESIGNED - SDH	REVISED -
DRAWN - JWK	REVISED -
CHECKED - MSW	REVISED -
DATE - 07/22/2009	REVISED -

TOWN OF NORMAL

PARAPET TRANSITION DETAILS

VIRGINIA AVENUE OVER SUGAR CREEK
SECTION 04-00226-00-BR
MCLEAN COUNTY

F.A.J.	SECTION	COUNTY	TOTAL SHEETS	SHEET NO.
6366	04-00226-00-BR	MCLEAN	52	37
S.N. 057-7834		CONTRACT NO. 91416		
FED. ROAD DIST. NO.		ILLINOIS FED. AID PROJECT		