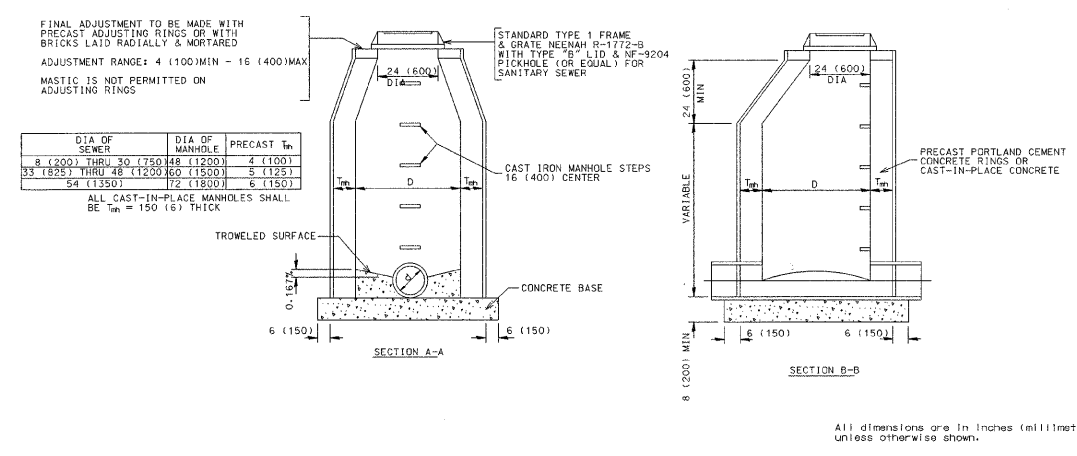
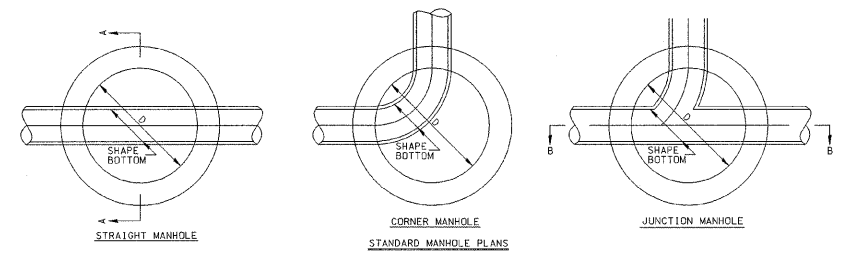


- GUIDELINES**
- IF SELECT GRANULAR BACKFILL EXISTS: REMOVE WITHIN WIDTH OF PROPOSED SEWER TRENCH AND REPLACE WITH SELECT EXCAVATED MATERIAL (CLASS IV) AND COMPACT.
 - OMIT SELECT GRANULAR CRADLE AND GRANULAR BACKFILL TO 12 (300) OVER TOP OF SEWER AND USE SELECT EXCAVATED MATERIAL (CLASS IV) AND COMPACT THE LENGTH OF "L".
 - CONSTRUCT "L" OF PROPOSED SEWER OF WATER MAIN MATERIAL AND PRESSURE TEST, OR:
 - USE "L" OF WATER MAIN MATERIAL FOR CASING OF PROPOSED SEWER AND SEAL ENDS OF CASING.
 - POINT LOADS SHALL NOT BE ALLOWED BETWEEN SEWER OR SEWER CASING AND WATER MAIN.
 - PROVIDE ADEQUATE SUPPORT FOR EXISTING WATER MAIN TO PREVENT DAMAGE DUE TO SETTLEMENT OF SEWER TRENCH.
- NOTE: "S" THE LENGTH NECESSARY TO PROVIDE 10' (3m) OF SEPARATION AS MEASURED PERPENDICULAR TO THE EXISTING WATER MAIN.
- All dimensions are in inches (millimeters) unless otherwise shown.



DESIGNED - JDA	REVISED -
DRAWN - DRR	REVISED -
CHECKED - PJM	REVISED -
DATE - 07/22/09	REVISED -

TOWN OF NORMAL

SANITARY SEWER DETAILS

SCALE: SHEET NO. 46 OF 52 SHEETS STA. TO STA.

VIRGINIA AVENUE OVER SUGAR CREEK
SECTION 04-00226-00-BR
MCLEAN, COUNTY

F.A.J.	SECTION	COUNTY	TOTAL SHEETS	SHEET NO.
6356	04-00226-00-BR	MCLEAN	52	46
S.N. 057-7834		CONTRACT NO. 91416		
FED. ROAD DIST. NO. ILLINOIS FED. AID PROJECT				