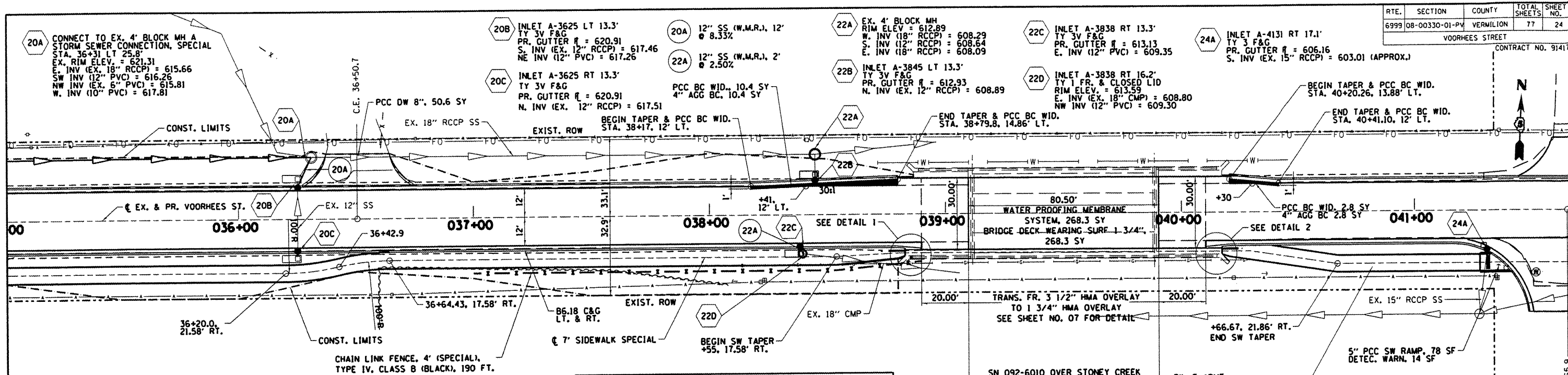
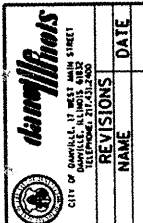
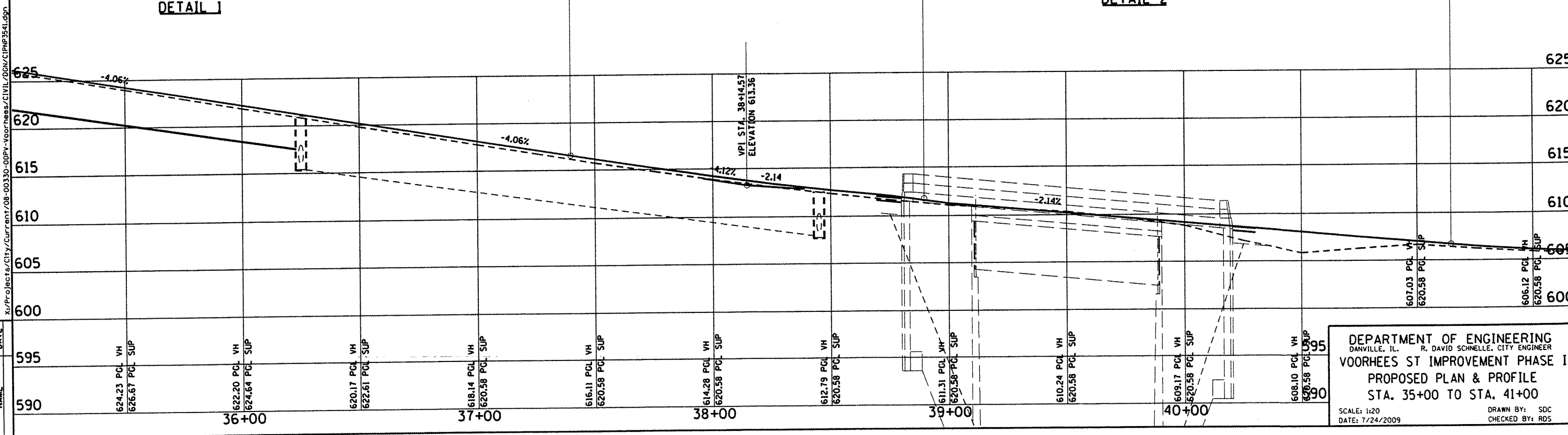
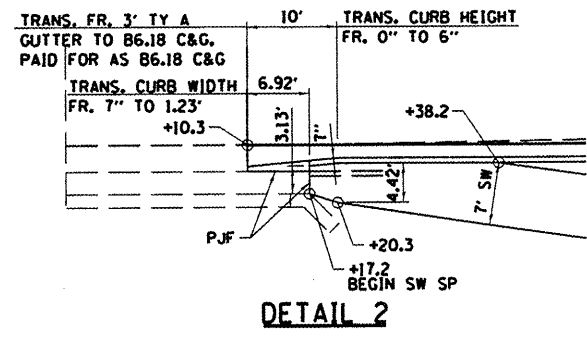
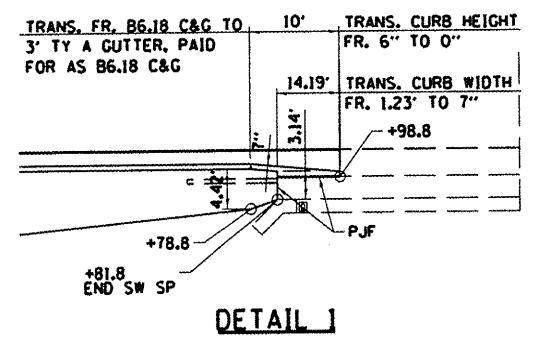


RTE.	SECTION	COUNTY	TOTAL SHEETS	SHEET NO.
6999	08-00330-01-PV	VERMILION	77	24



- NOTES:**
- CURB AND GUTTER AND PCC BASE COURSE WIDENING SHALL BE POURED MONOLITHIC. #6 TIE BARS AT 24" CENTERS SHALL BE DRILLED AND EPOXY GROUTED WITH A MINIMUM 6" EMBEDMENT CONSTRUCTED ACCORDING TO SECTION 584 OF THE STANDARD SPECIFICATION. TIE BARS SHALL EXTEND 12" MINIMUM INTO THE NEW WORK.
 - EARTH EXCAVATION FOR WIDENING WILL NOT BE MEASURED FOR PAYMENT BUT SHALL BE INCLUDED IN THE COST OF PCC BASE COURSE WIDENING AND NO ADDITIONAL COMPENSATION WILL BE ALLOWED.



NO.	DATE	DESCRIPTION
1	5/90	624.23 PCL VH
2	5/90	626.67 PCL SUP
3	5/95	622.20 PCL VH
4	5/95	624.64 PCL SUP
5	5/95	620.17 PCL VH
6	5/95	622.61 PCL SUP
7	5/95	618.14 PCL VH
8	5/95	620.58 PCL SUP
9	5/95	616.11 PCL VH
10	5/95	620.58 PCL SUP
11	5/95	614.28 PCL VH
12	5/95	620.58 PCL SUP
13	5/95	612.79 PCL VH
14	5/95	620.58 PCL SUP
15	5/95	611.31 PCL VH
16	5/95	620.58 PCL SUP
17	5/95	610.24 PCL VH
18	5/95	620.58 PCL SUP
19	5/95	609.17 PCL VH
20	5/95	620.58 PCL SUP
21	5/95	608.10 PCL VH
22	5/95	620.58 PCL SUP

DEPARTMENT OF ENGINEERING
 DANVILLE, ILL. R. DAVID SCHNELLE, CITY ENGINEER
VOORHEES ST IMPROVEMENT PHASE I
PROPOSED PLAN & PROFILE
 STA. 35+00 TO STA. 41+00
 SCALE: 1:20
 DATE: 7/24/2009
 DRAWN BY: SOC
 CHECKED BY: RDS