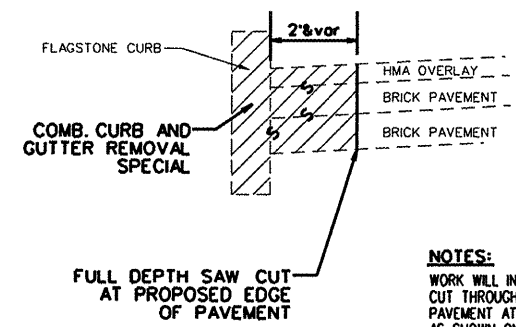


ROUTE NO.	SECTION	COUNTY	TOTAL SHEETS	SHEET NO.
FAU 6982	05-00050-00-RS	VERMILION	42	35
STA.		TO STA.		
F.H.W.A. REG.	ILLINOIS PROJECT	ARA-M-5031(008)		

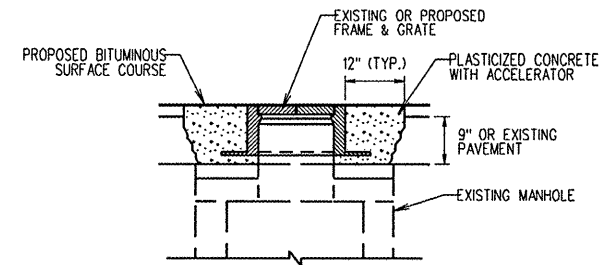
DATE	
BY	
SURVEYED	CHECKED
PLOTTED	CHECKED
NOTE BOOK	RT. OF WAY CHECKED
NO.	
PLAN	



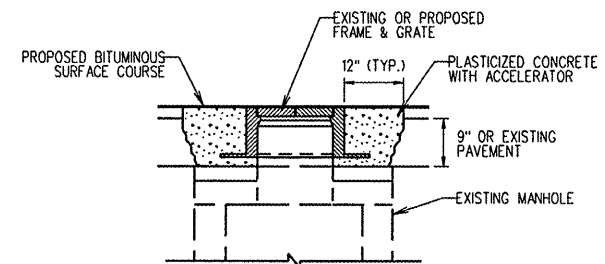
NOTES:
 WORK WILL INVOLVE FULL DEPTH SAW CUT THROUGH ALL LAYERS OF EXISTING PAVEMENT AT PROPOSED EDGE OF PAVEMENT AS SHOWN ON PLANS AND TYPICAL SECTIONS, REMOVAL OF THIS PAVEMENT AND FLAGSTONE CURB, AND DISPOSAL OF ALL MATERIALS OUTSIDE OF THE LIMITS OF THE PROJECT.
 WORK WILL BE PAID FOR AT THE CONTRACT UNIT PRICE PER FOOT OF COMBINATION CURB AND CUTTER REMOVAL (SPECIAL) WHICH SHALL INCLUDE ALL MATERIALS, EQUIPMENT AND LABOR NECESSARY TO COMPLETE THE PRESCRIBED WORK, AND NO ADDITIONAL COMPENSATION WILL BE ALLOWED.

COMBINATION CURB AND GUTTER REMOVAL (SPECIAL)
 NOT TO SCALE

DATE	
BY	
SURVEYED	CHECKED
PLOTTED	CHECKED
NOTE BOOK	B.M.'S NOTED
NO.	STRUCTURE NOTATIONS CHKD
PROFILE	



OPTION 1

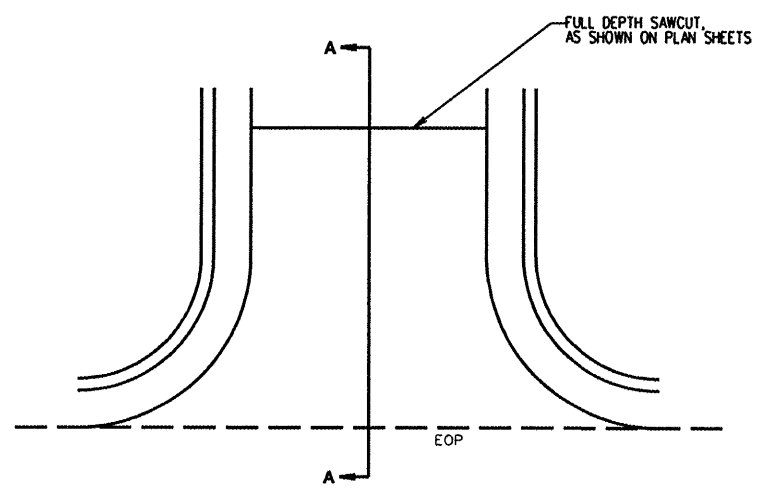


OPTION 2

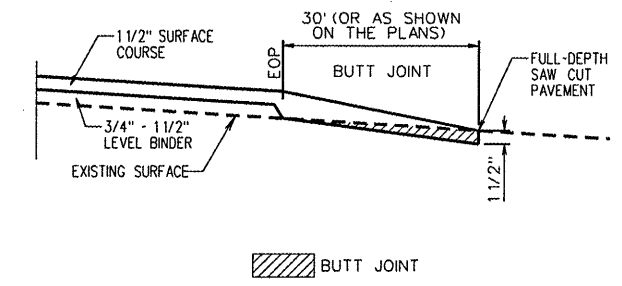
NOTE:
 OPTION 2 SHALL BE USED AFTER THE PLACEMENT OF LEVELING BINDER

MANHOLES & INLETS TO BE ADJUSTED
 NOT TO SCALE

NOTE: VALVES AND HANDHOLES TO BE ADJUSTED ARE SIMILAR TO WORK SHOWN ABOVE FOR MANHOLES.

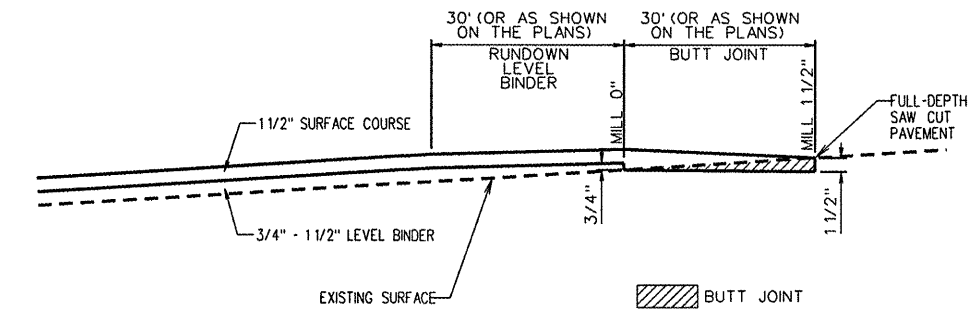


PLAN



SECTION A-A

TYPICAL DETAIL FOR RESURFACED SIDESTREETS



HMA SURFACE REMOVAL-BUTT JOINT DETAIL
 NOT TO SCALE