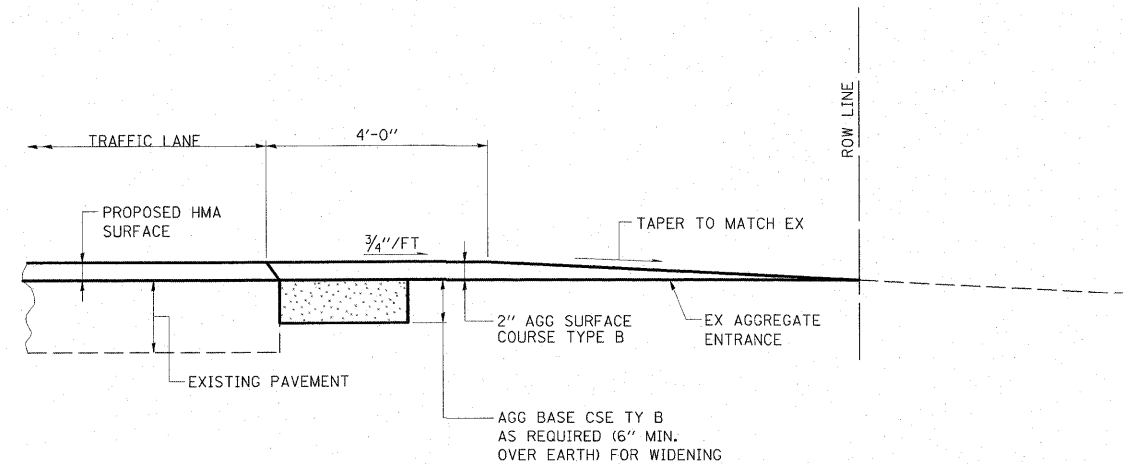
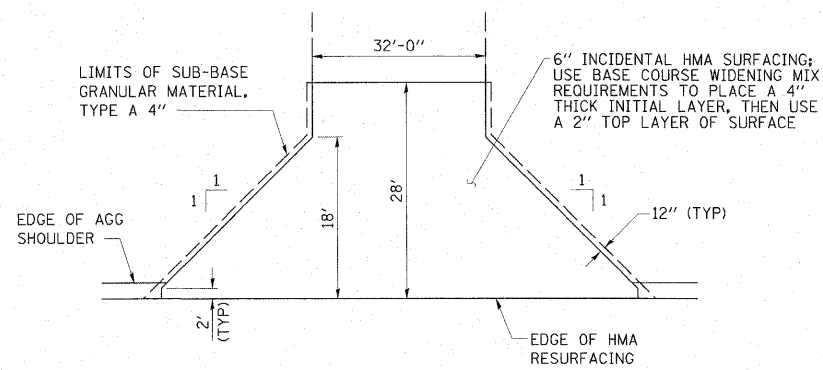
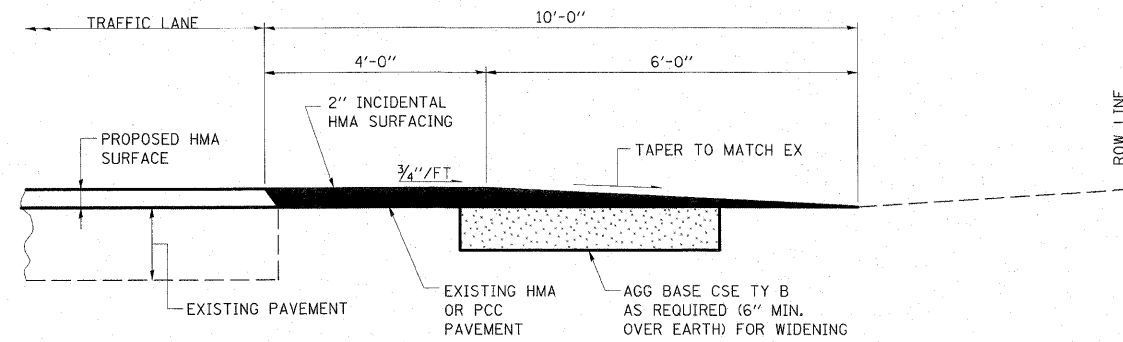
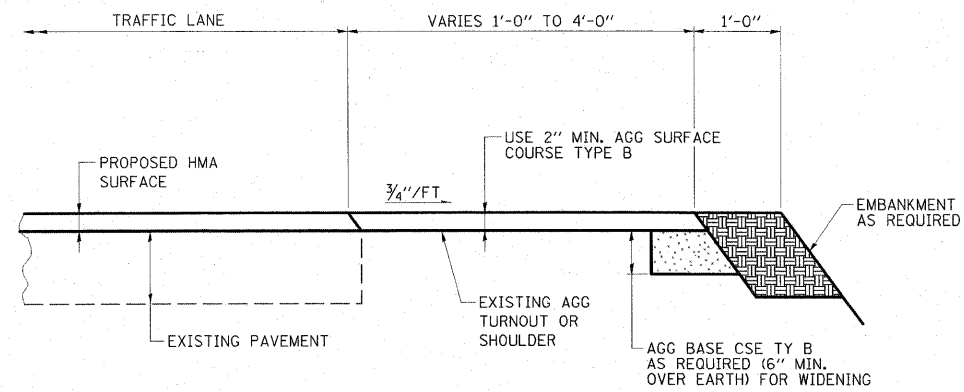
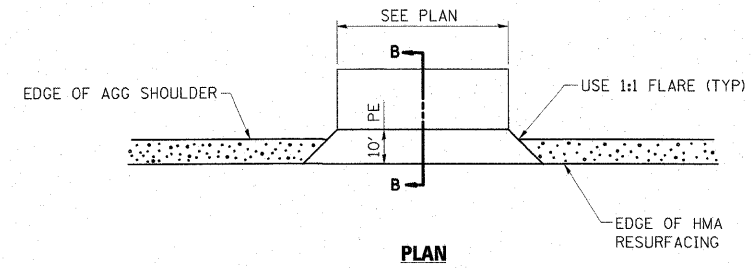
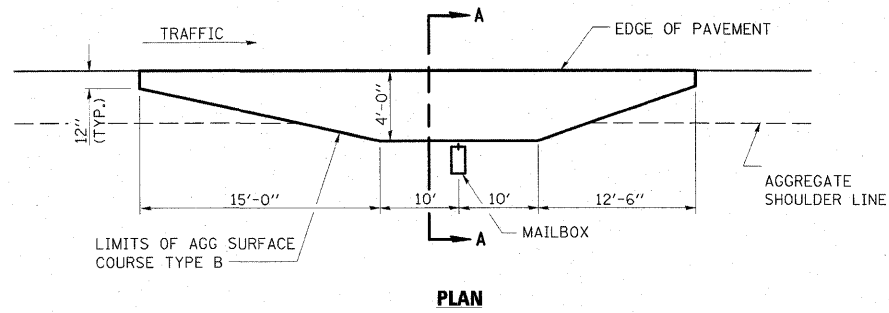


RTE	SECTION	COUNTY	TOTAL SHEETS	SHEET NO.
**	*	PIATT	53	22
STA.		TO STA.		
FED. ROAD DIST. NO.		ILLINOIS FED. AID PROJECT		
* 08-00115-01-RS				
** FAS 535				



ESCA
CONSULTANTS, INC.

DESIGNED BY:	ELH	01/09
DRAWN BY:	cj/HAS	01/09
CHECKED BY:	ELH	07/09
APPROVED BY:	RDP	07/09

MISCELLANEOUS DETAILS
FAS 535 (SHADY REST ROAD)
SECTION 08-00115-01-RS
PIATT COUNTY