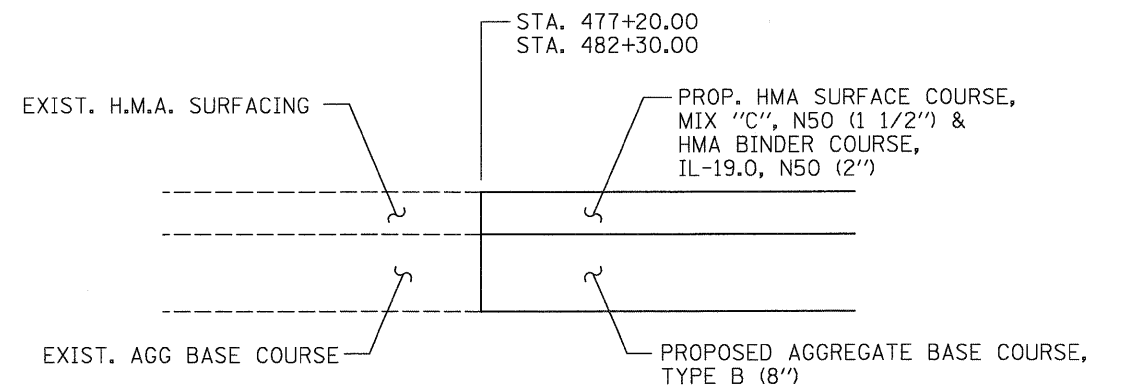


TRENCH FOR CORRUGATED POLYETHYLENE TUBING ALTERNATE

PIPE UNDERDRAINS DETAIL  
NTS

NOTES: SEE HIGHWAY STANDARD 601001-03 SUB-SURFACE DRAINS FOR ADDITIONAL DETAILS.



BUTT JOINT DETAIL  
NTS

USER NAME = dhaberling  
PLOT SCALE = 0.0033' / IN.  
PLOT DATE = 8/18/2009

DESIGNED - JAC	REVISED -
DRAWN - DLH	REVISED -
CHECKED - CWC	REVISED -
DATE -	REVISED -



7018 KINGSMILL CT.,  
SPRINGFIELD, IL  
(217) 483-9457  
DESIGN FIRM #184001036

STATE OF ILLINOIS  
DEPARTMENT OF TRANSPORTATION

DETAILS			
CH 10 OVER NORTH FORK SALT CREEK			
SCALE: 1" = 1"	SHEET NO.	OF SHEETS	STA. TO STA.

F.A.S. RTE.	SECTION	COUNTY	TOTAL SHEETS	SHEET NO.
543	09-00025-01-BR	DEWITT	17	4
CONTRACT NO. 91423			ILLINOIS FED. AID PROJECT	