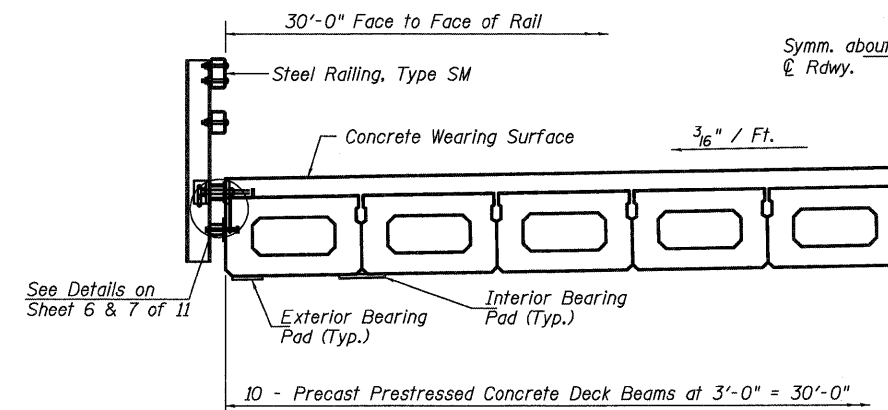


**PLAN - REINFORCED CONCRETE WEARING SURFACE**

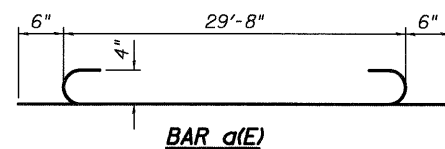
\* Order bars full length, cut to fit skew, and use remainder at opposite end.



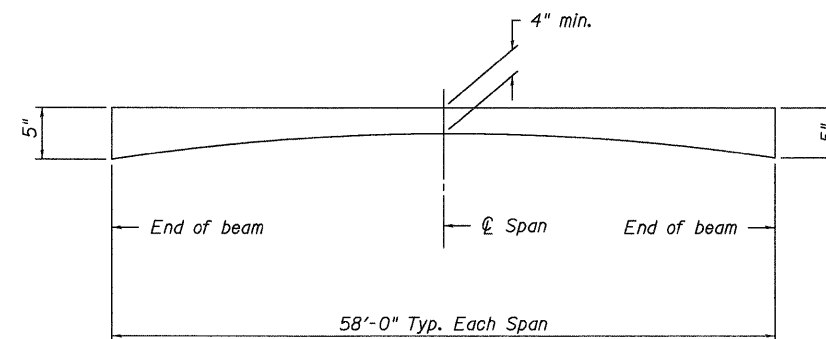
**HALF-SECTION**

**MIN. BAR LAP**

#4 bars = 1'-4"



**BAR a(E)**



**APPROX. REINFORCED CONCRETE WEARING SURFACE PROFILE**

**BILL OF MATERIAL**

| Bar                              | No. | Size | Length  | Shape |
|----------------------------------|-----|------|---------|-------|
| a(E)                             | 233 | #4   | 30'-8"  |       |
| a1(E)                            | 6   | #4   | 30'-9"  |       |
| b(E)                             | 240 | #4   | 30'-0"  |       |
| Reinforcement Bars, Epoxy Coated |     |      | Pound   | 9710  |
| Concrete Wearing Surface, 5"     |     |      | Sq. Yd. | 773   |

FILENAME: I:\jobs\dewitt county\7211 ch 10 over n fork salt creek\cadd\CADD Sheets\0203900-00000.dgn

|                                |                |         |
|--------------------------------|----------------|---------|
| USER NAME = dheber1ng          | DESIGNED - FLL | REVISED |
| PLOT SCALE = @1 1/16" = 1' IN. | DRAWN - DLH    | REVISED |
| PLOT DATE = 8/18/2009          | CHECKED - CWC  | REVISED |
|                                | DATE -         | REVISED |

**WHKS & CO.**  
ENGINEERING

7018 KINGSMILL CT.,  
SPRINGFIELD, IL  
(217) 483-9457  
DESIGN FIRM #184001036

**STATE OF ILLINOIS**  
**DEPARTMENT OF TRANSPORTATION**

|   |                          |        |
|---|--------------------------|--------|
| <b>SUPERSTRUCTURE DETAILS</b>           |                          |        |
| <b>CH 10 OVER NORTH FORK SALT CREEK</b> |                          |        |
| SCALE:                                  | SHEET NO. 5 OF 11 SHEETS | C STA. |

|                     |                |                           |              |           |
|---------------------|----------------|---------------------------|--------------|-----------|
| F.A.S. RTE.         | SECTION        | COUNTY                    | TOTAL SHEETS | SHEET NO. |
| 543                 | 09-00025-01-BR | DEWITT                    | 17           | 11        |
| S.N. 020-3900       |                | CONTRACT NO. 91423        |              |           |
| FED. ROAD DIST. NO. |                | ILLINOIS FED. AID PROJECT |              |           |