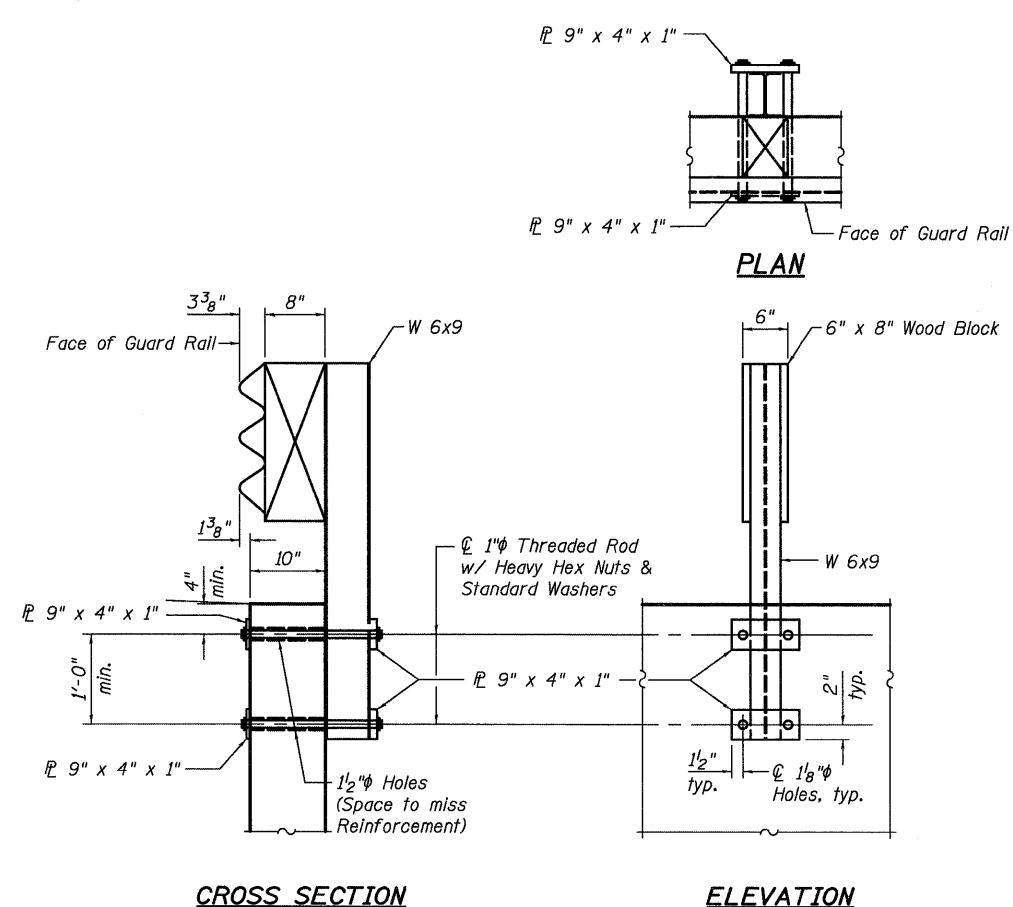
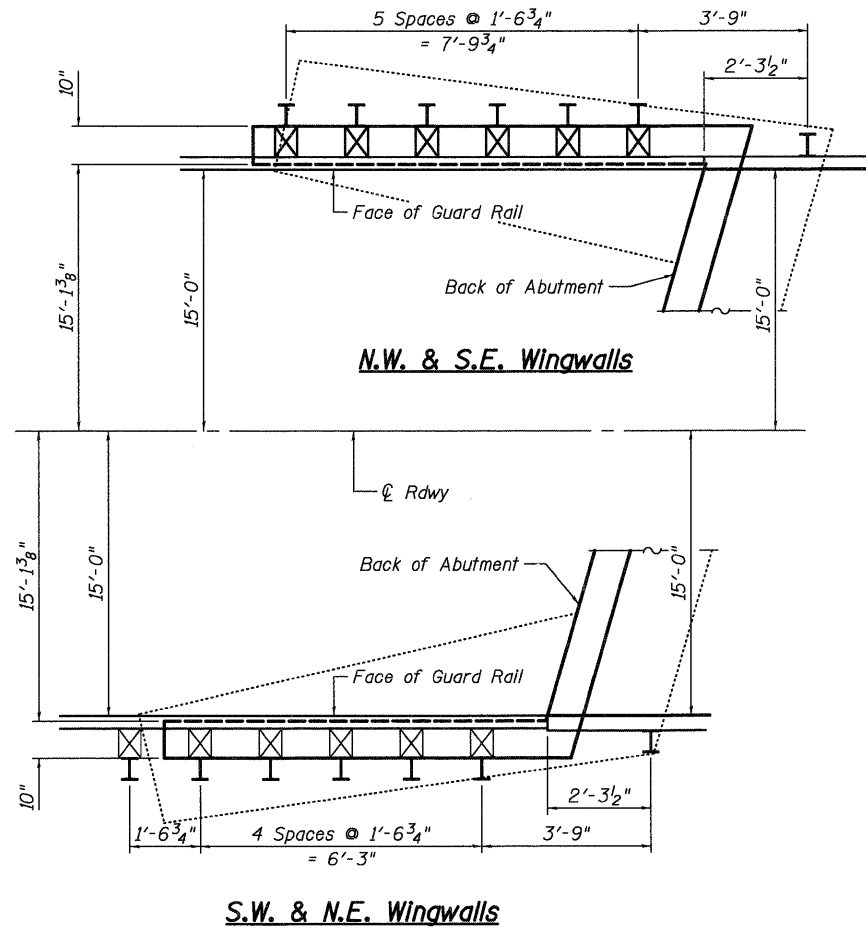


**RAIL POST SPACING**



**CROSS SECTION**

**ELEVATION**



**N.W. & S.E. Wingwalls**

**S.W. & N.E. Wingwalls**

**TRAFFIC BARRIER TERMINAL ANCHORAGE AT WINGWALLS**

Note: Cost of mounting traffic barrier terminal to wingwalls is included with Traffic Barrier Terminal, Type 6A (See roadway plans and Highway Standards for additional details and quantity).  
 The bolts, nuts, and plates connecting the traffic barrier terminal to the wingwalls shall be galvanized according to Article 1006.25 of the Standard Specifications. Cost included with Traffic Barrier Terminal, Type 6A

I:\Jobs\devitt county\7211 ch 10 over n fork salt creek.cadd\CADD Sheets\0203900-00000.dgn

USER NAME = dheberling	DESIGNED - FLL	REVISED		7018 KINGSMILL CT., SPRINGFIELD, IL (217) 483-9457 DESIGN FIRM #184001036	<b>RAILING DETAILS</b>			F.A.S. RTE.	SECTION	COUNTY	TOTAL SHEETS	SHEET NO.
PLOT SCALE = @ 1/16" +/- IN.	DRAWN - DLH	REVISED			<b>CH 10 OVER NORTH FORK SALT CREEK</b>			543	09-00025-01-BR	DEWITT	17	12
PLOT DATE = 8/18/2009	CHECKED - CWC	REVISED			SCALE:      SHEET NO. 6 OF 11 SHEETS      STA.			S.N. 020-3900		CONTRACT NO. 91423		
						FED. ROAD DIST. NO.		ILLINOIS FED. AID PROJECT				