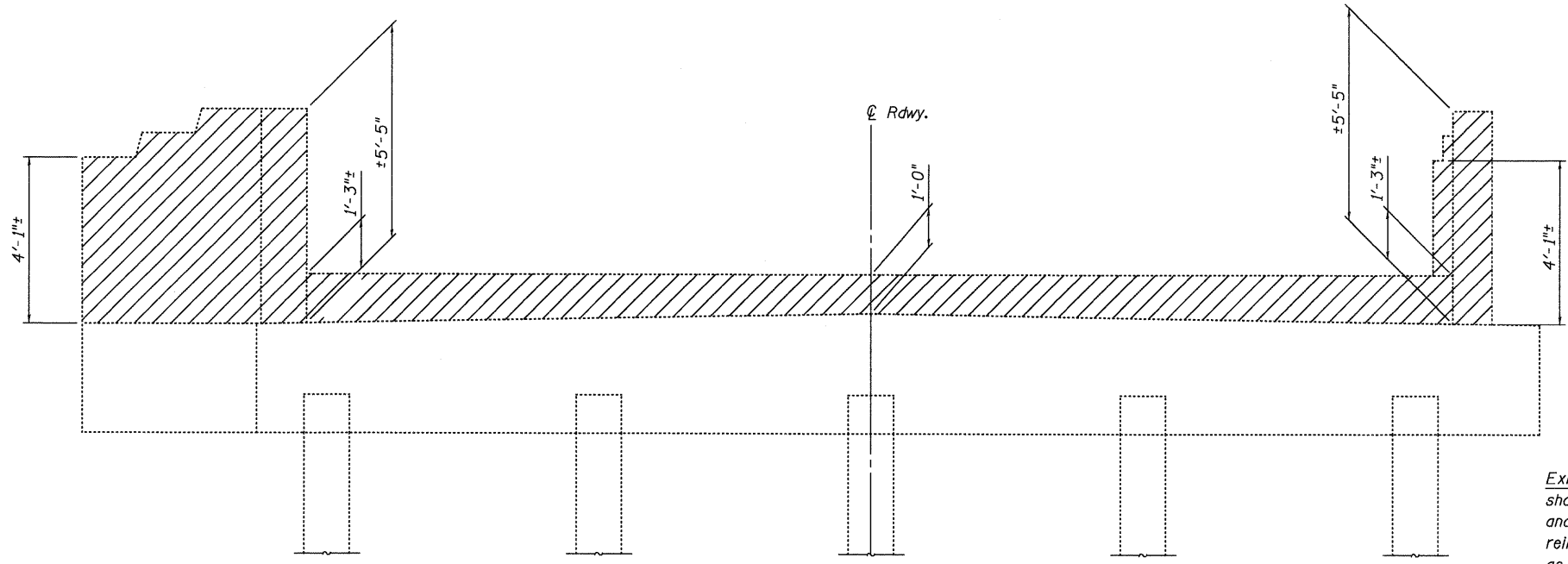
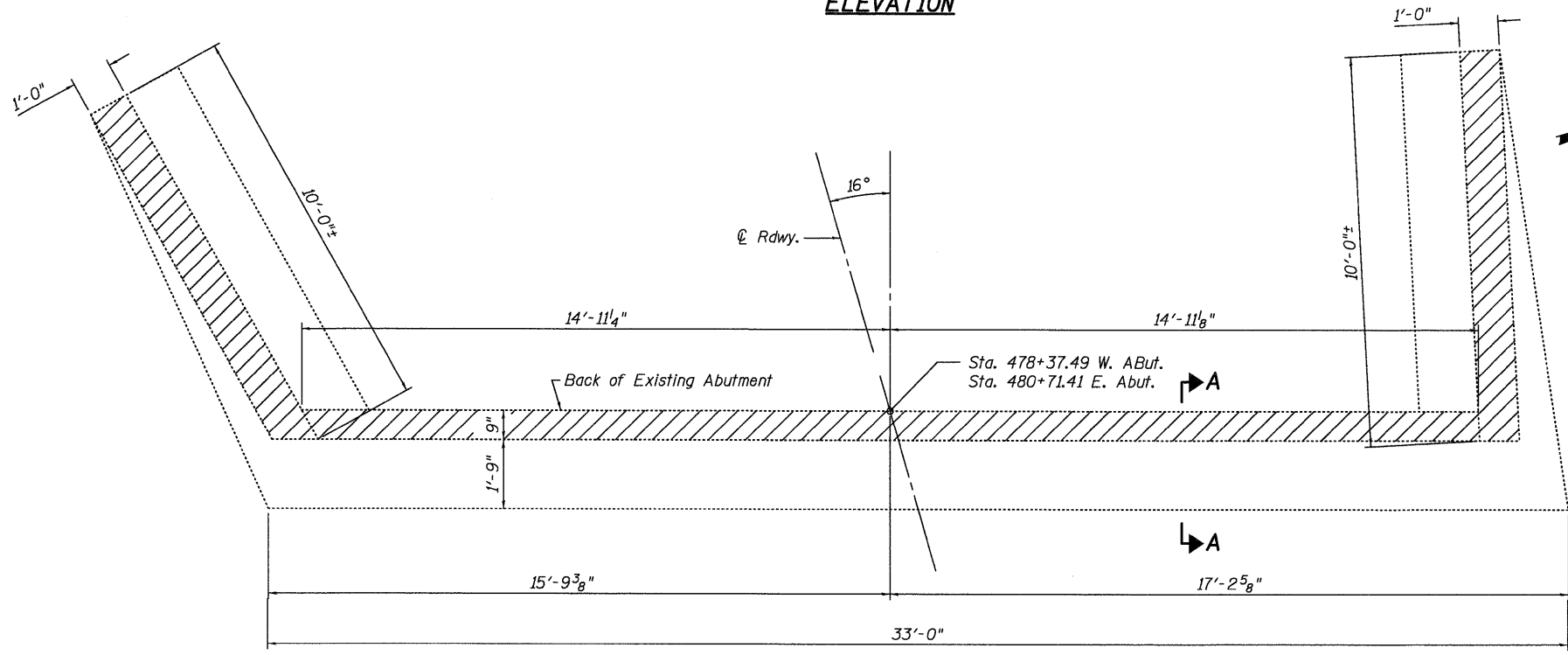


FILENAME: I:\jobs\de Witt county\7211 ch 10 over n fork salt creek\cadd\CADD Sheets\0203900-00000.dgn



ELEVATION



PLAN

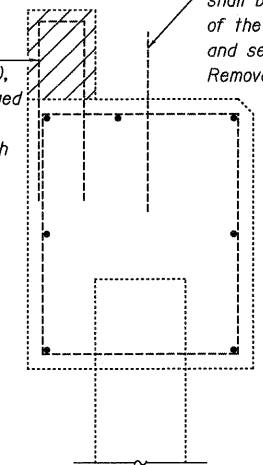
West Abutment Shown - East Abutment Similar

LEGEND

- Concrete Removal

Existing vertical reinforcing steel in backwall shall be cleaned, straightened, cut (if required), and incorporated into new construction. Damaged reinforcing steel shall be replaced or removed as directed by the Engineer. Cost included with Concrete Structures.

Existing Dowel Rods at the Abutments shall be burned off flush with the top of the existing concrete, ground smooth, and sealed with epoxy. Cost included with Removal of Existing Superstructures.



SECTION A-A

**BILL OF MATERIAL
TWO ABUTMENTS**

Item	Unit	Quantity
Concrete Removal	Cu. Yd.	8.9

Notes: Existing Vertical Wingwall Reinforcement shall be burned off flush with the top of the existing concrete, ground smooth, and sealed with epoxy. Cost included with Concrete Removal.
Cost for excavation and backfilling required for concrete removal is included with Concrete Removal.

USER NAME = dheberling	DESIGNED - FLL	REVISED
PLOT SCALE = 01 1/16" = 1" / IN.	DRAWN - DLH	REVISED
PLOT DATE = 6/18/2009	CHECKED - CWC	REVISED
	DATE -	REVISED

WHKS & CO.
ENGINEERING

7018 KINGSMILL CT.,
SPRINGFIELD, IL
(217) 483-9457
DESIGN FIRM #184001036

**STATE OF ILLINOIS
DEPARTMENT OF TRANSPORTATION**

CONCRETE REMOVAL AT ABUTMENTS	
CH 10 OVER NORTH FORK SALT CREEK	
SCALE:	STATION
SHEET NO. 8 OF 11 SHEETS	± STA.

F.A.S. RTE.	SECTION	COUNTY	TOTAL SHEETS	SHEET NO.
543	09-00025-01-BR	DEWITT	17	14
S.N. 020-3900		CONTRACT NO. 91423		
FED. ROAD DIST. NO.		ILLINOIS FED. AID PROJECT		