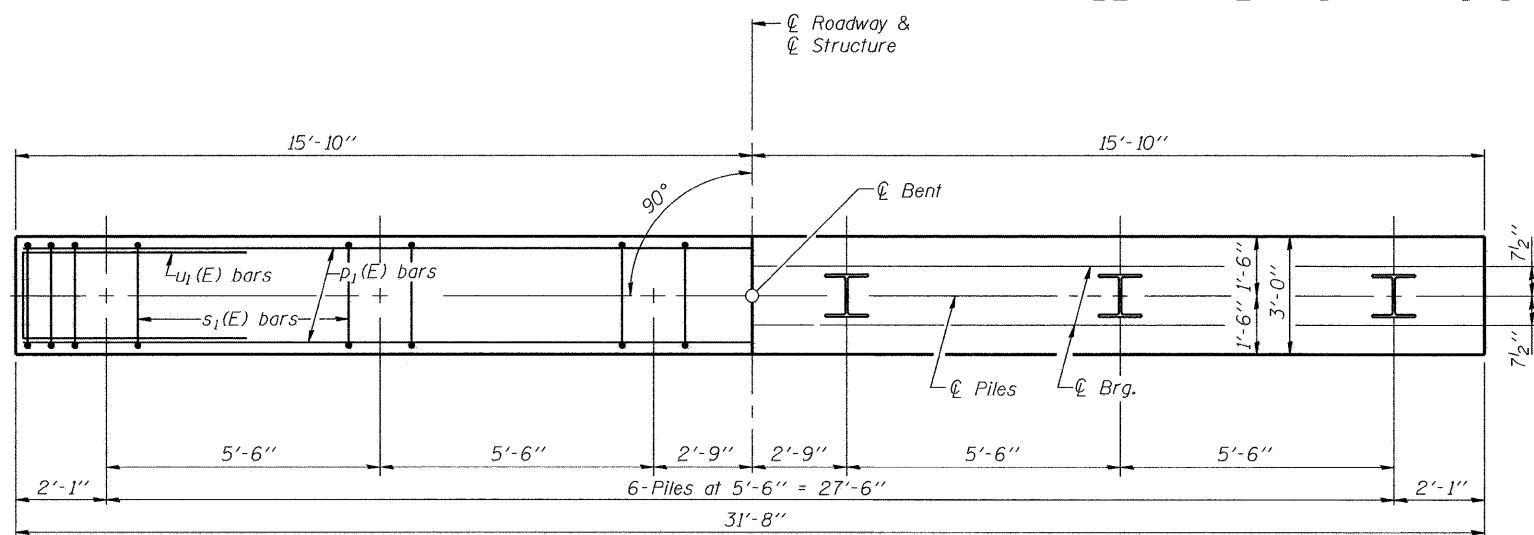
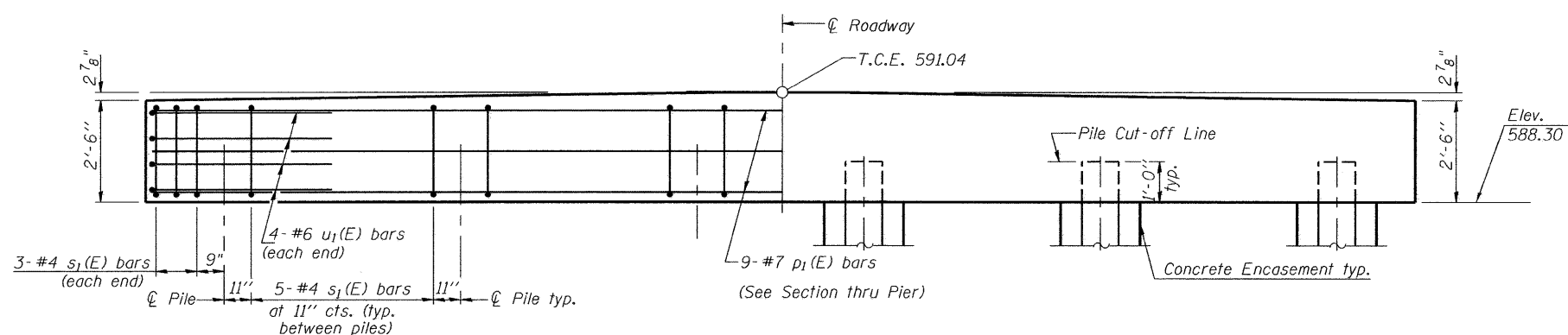
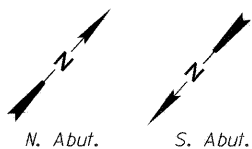


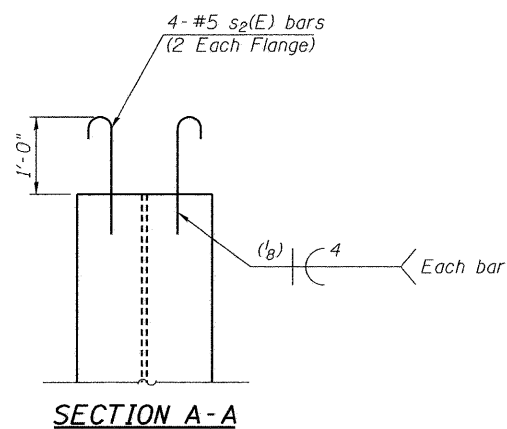
STATE OF ILLINOIS
DEPARTMENT OF TRANSPORTATION



PLAN



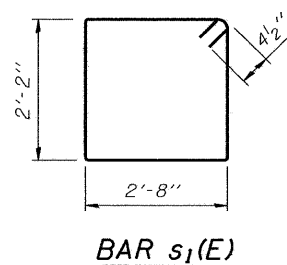
ELEVATION



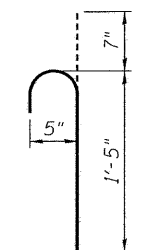
SECTION A-A

PILE DATA

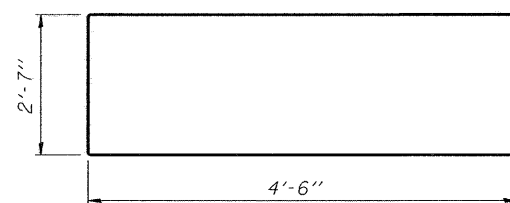
Steel HP 12x53
Nominal Required Bearing = 361 kips
Factored Resistance Available = 180 kips
Est. Length = 34 ft
No. Required = 12



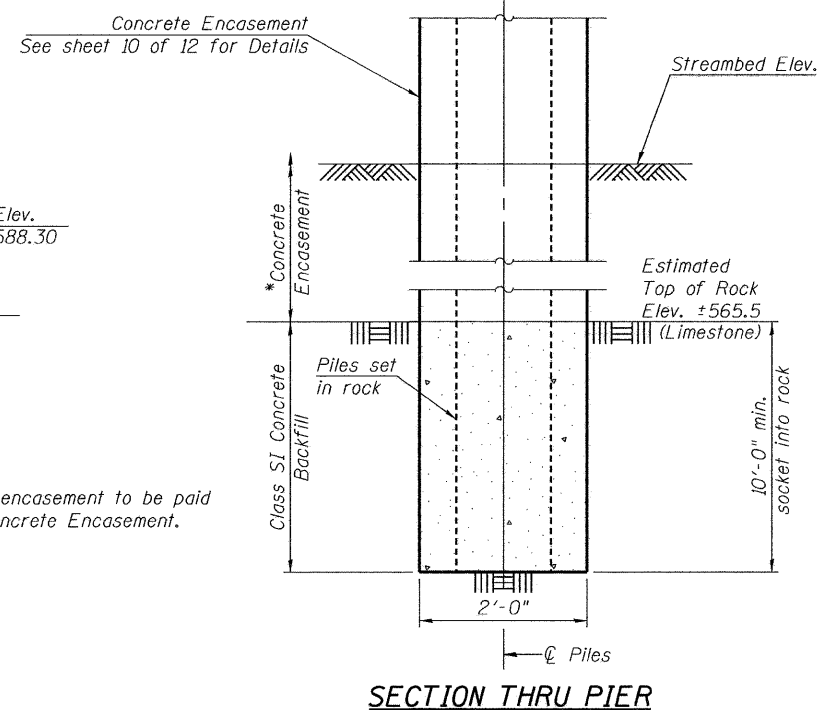
BAR s₁(E)



BAR s₂(E)



BAR u₁(E)



SECTION THRU PIER

BILL OF MATERIAL
FOR TWO PIERS

Bar	No.	Size	Length	Shape
p ₁ (E)	18	#7	31'-4"	—
s ₁ (E)	62	#4	10'-5"	□
s ₂ (E)	48	#5	2'-0"	U
u ₁ (E)	16	#6	11'-7"	—
Concrete Structures			Cu. Yd.	18.4
Reinforcement Bars, Epoxy Coated			Lb.	1960
Furnishing Steel Piles HP 12x53			Foot	408
Concrete Encasement			Cu. Yd.	31.8
Setting Piles in Rock			Each	12

Notes:
The Steel H-Piles shall be according to AASHTO M270 Grade 50.
See sheet 3 of 12 for details at superstructure attachment.

PIERS
STRUCTURE NO. 068-3358

DESIGNED CMF
CHECKED TMM
DRAWN RNH
CHECKED TMM

McDonough-Whitlow, P.C.
Consulting Engineers & Land Surveyors
138 East Wood Street
Hillsboro, IL 62049
Phone: 217.532.9233
Fax: 217.532.6300
PROFESSIONAL DESIGN No. 184-002754

SHEET NO. 9
12 SHEETS

F.A.S. RTE.	SECTION	COUNTY	TOTAL SHEETS	SHEET NO.
721	08-00128-00 BR	MONTGOMERY	22	15
CONTRACT NO. 93496				
FED. ROAD DIST. NO. ILLINOIS FED. AID PROJECT				