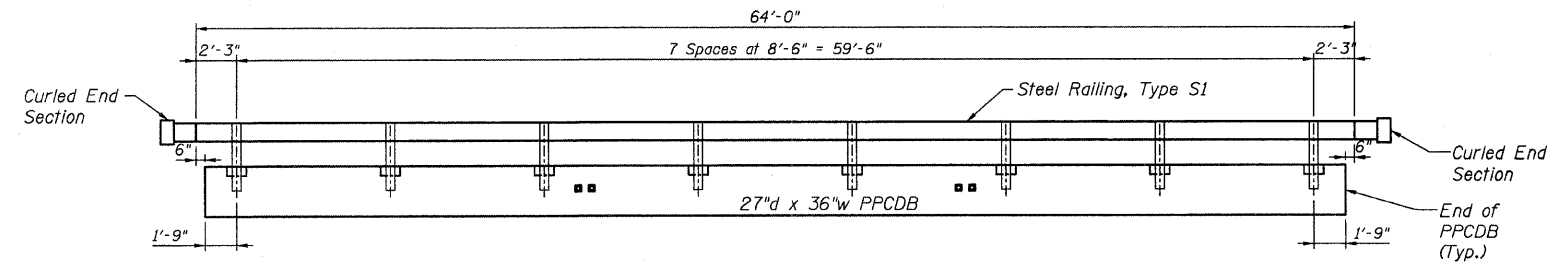
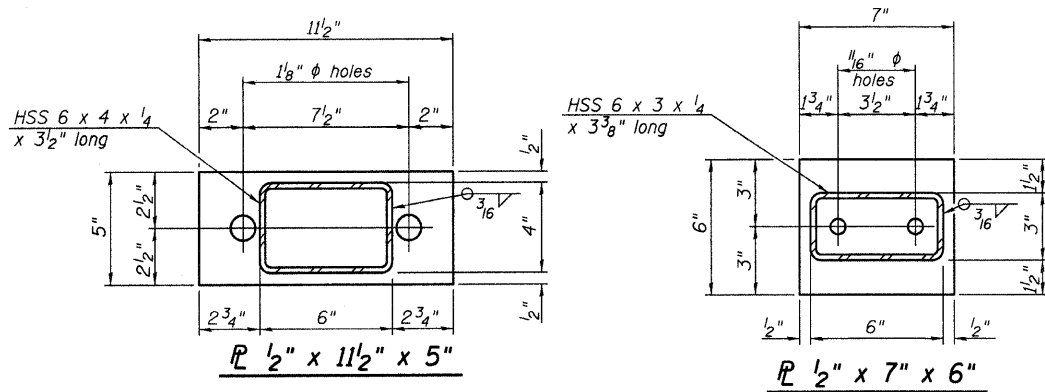
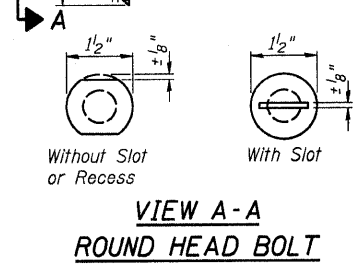
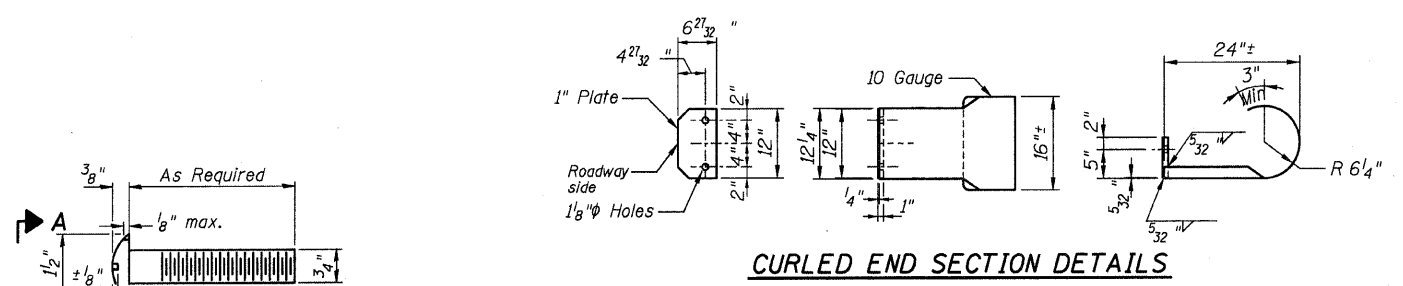
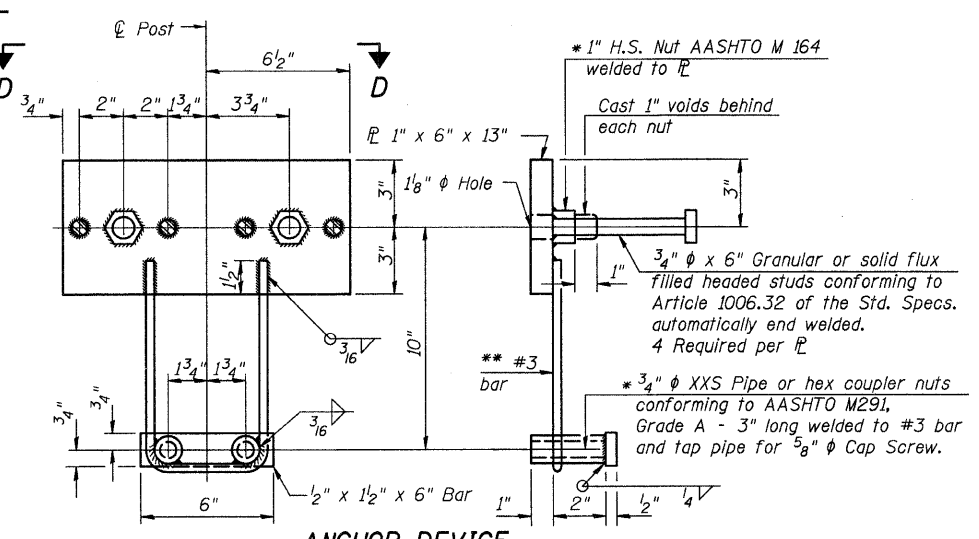
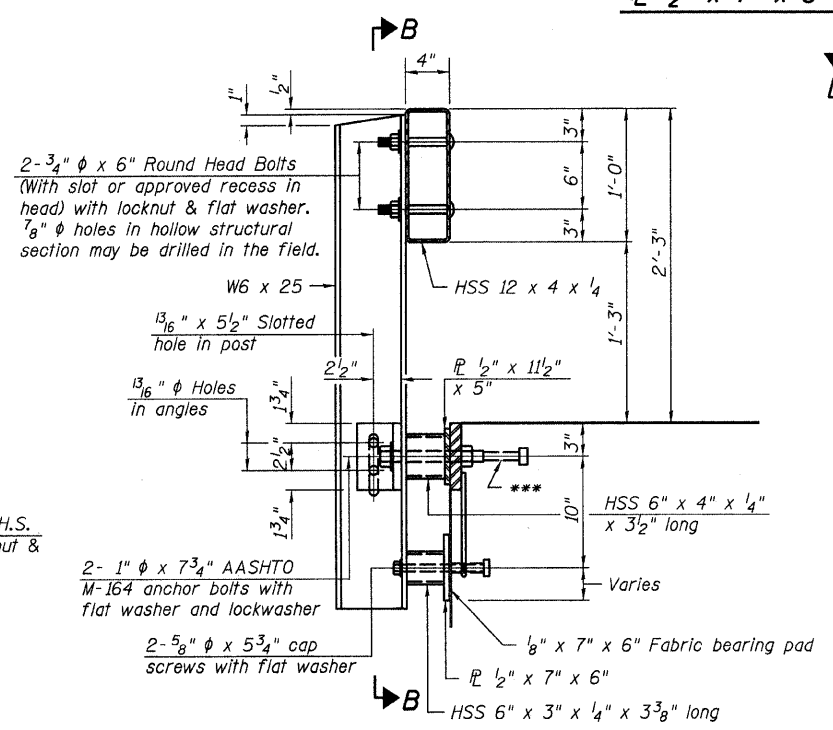
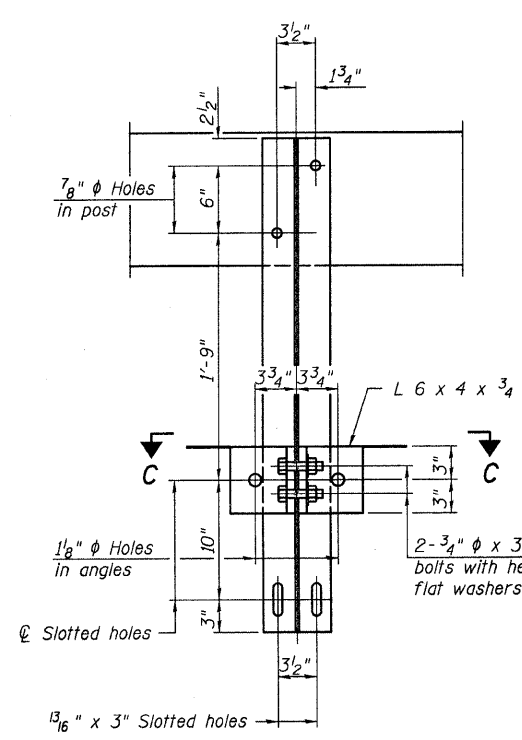


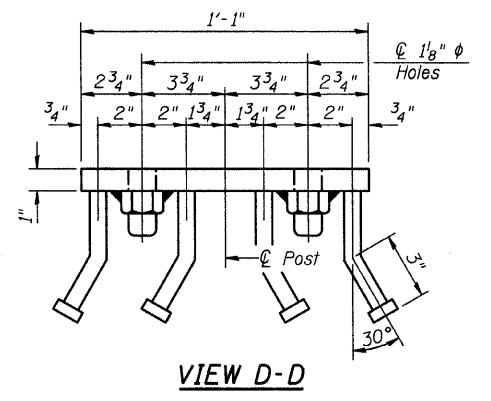
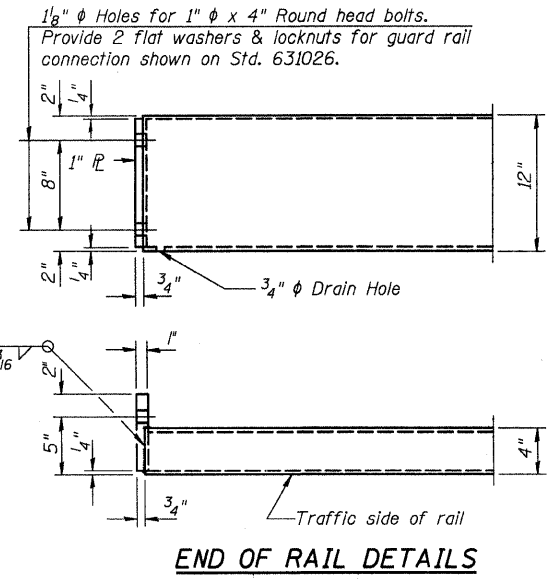
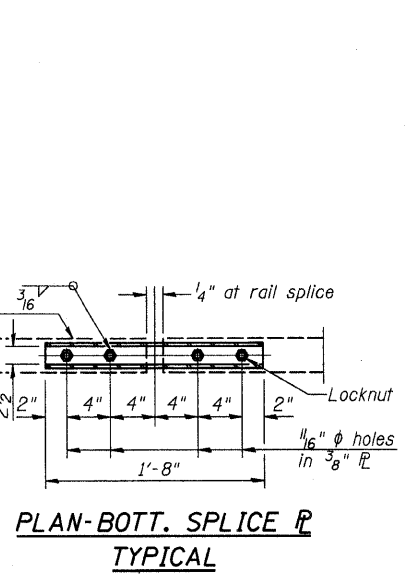
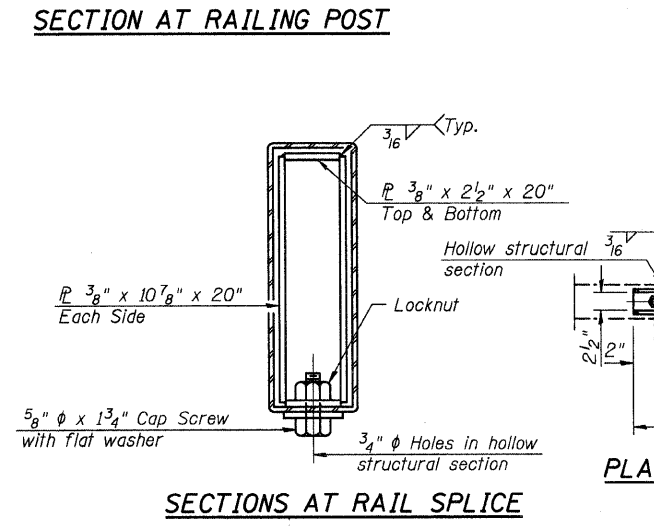
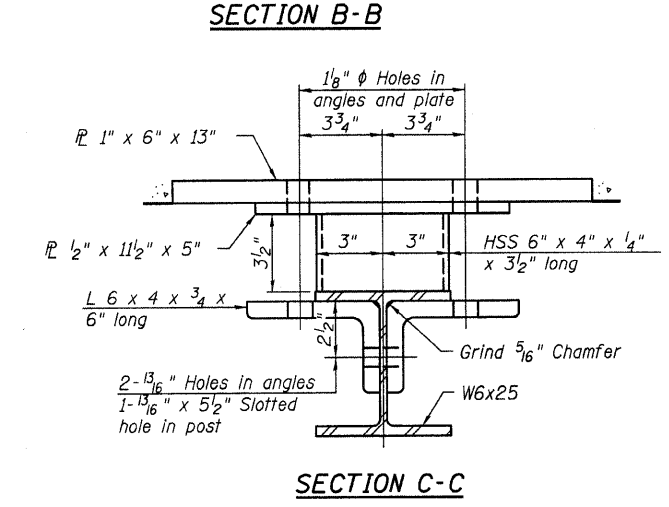
ROUTE	SECTION	COUNTY	TOTAL SHEETS	SHEET NO.
TR 140	07-11120-00-BR	FAYETTE	10	7
ILLINOIS				



Note: The cost of the Curled End Sections shall be included in the contract unit price per foot for "STEEL RAILING, TYPE S1", and no additional compensation will be allowed.



Notes:  
All field drilled holes shall be coated with an approved zinc rich paint before erection.  
For multi-span bridges, sufficient 1/4" x 6" x 1'-2" galvanized steel shims shall be provided to align rail between adjacent spans. Cost included with Steel Railing, Type S1.  
All steel rail elements shall be galvanized according to Article 509.05 of the Standard Specifications.  
\*\*\* The studs of the anchor devices shall be placed below the top reinforcement bars and the outermost longitudinal reinforcement bar shall be placed directly above the studs of the rail post anchor device.



**BILL OF MATERIAL**

Item	Unit	Quantity
Steel Railing, Type S1	Foot	128

**STEEL RAILING, TYPE S1 DETAILS**  
PROPOSED BRIDGE OVER BEAR CREEK  
TR 140  
SECTION 07-11120-00-BR  
FAYETTE COUNTY, ILLINOIS

06/12/2009