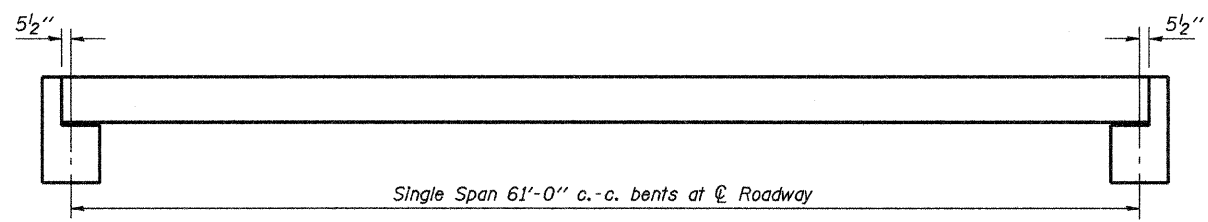
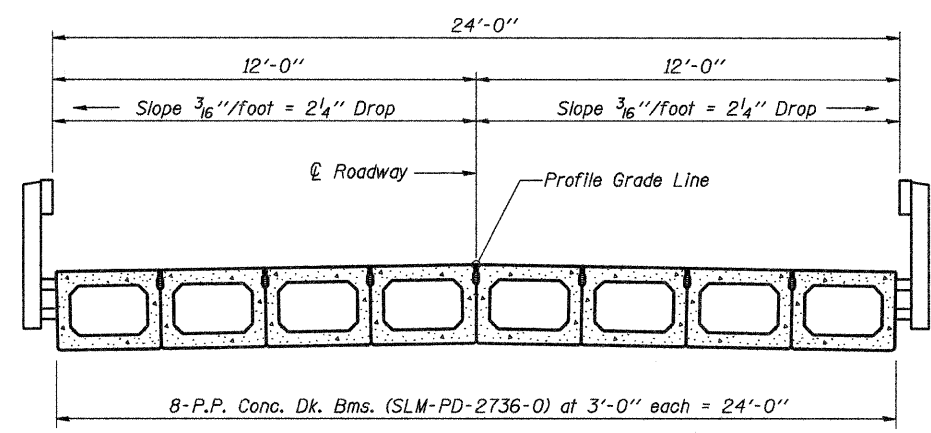


ROUTE NO.	SECTION	COUNTY	TOTAL SHEETS	SHEET NO.
TR 512	08-08123-00-BR	FAYETTE	14	5
FED. ROAD DIST. NO.	ILLINOIS	PROJECT		

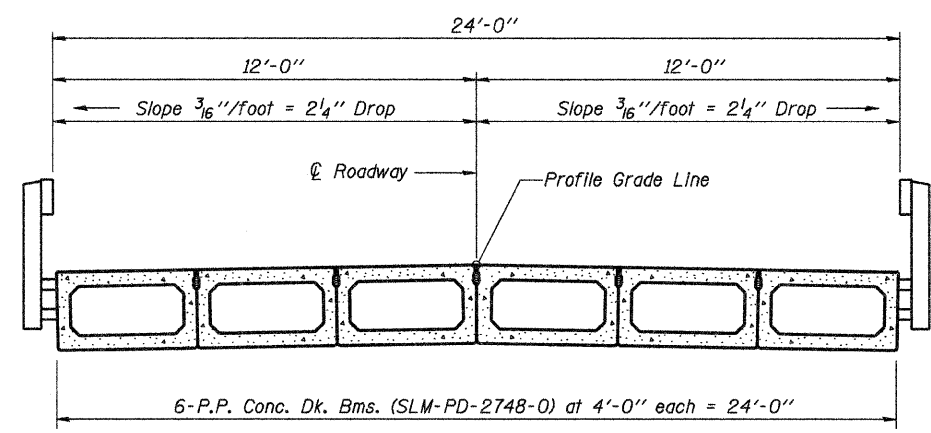
CONTRACT NO. 95595



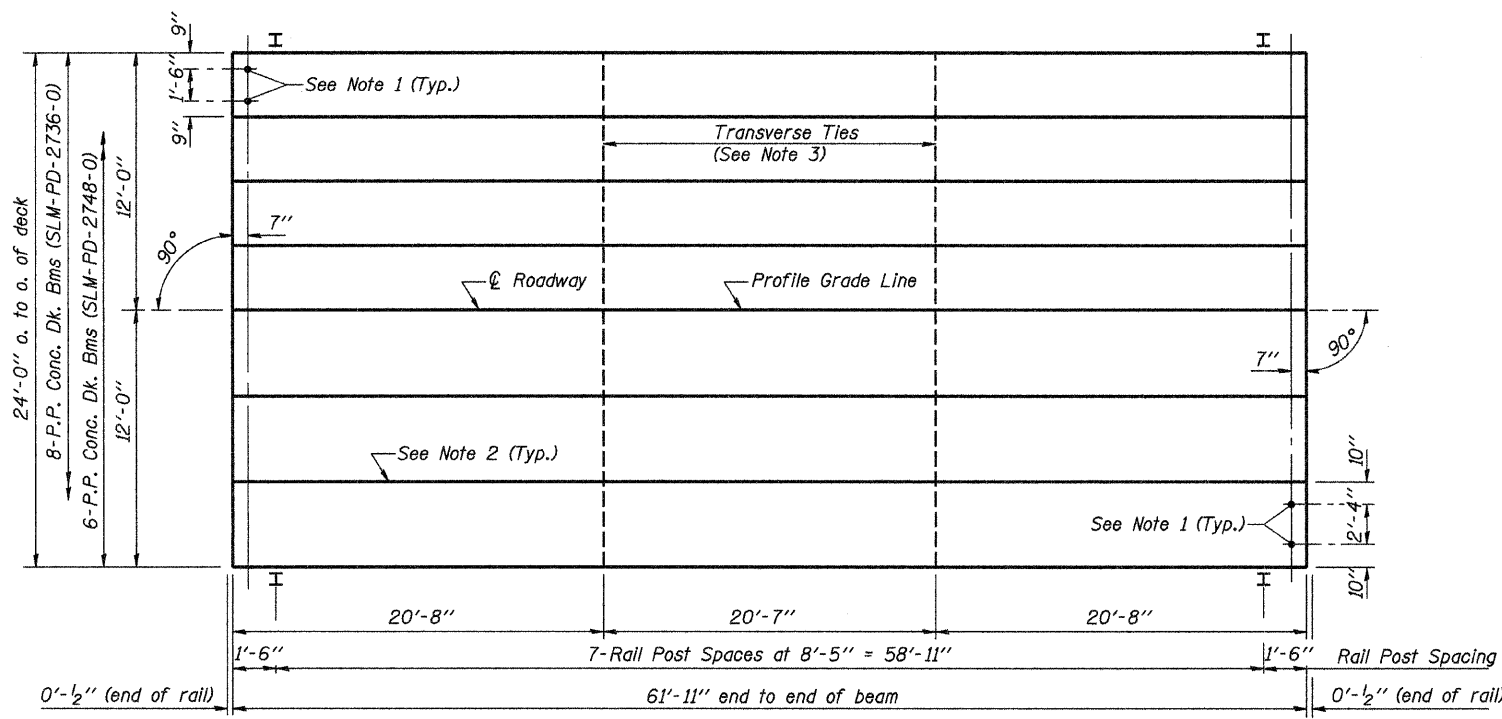
TYPICAL ELEVATIONS



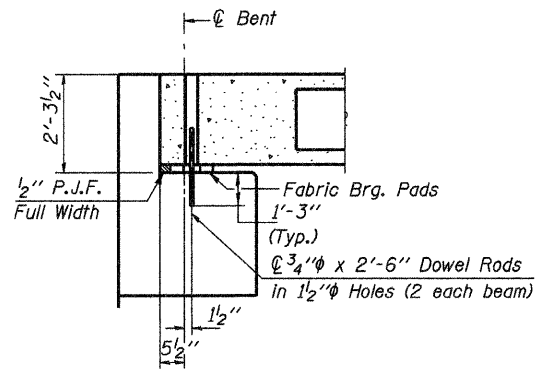
CROSS SECTION



CROSS SECTION



PLAN



SECTION AT ABUTS.
(Along ϕ Beams)

QUANTITIES FOR ONE SPAN

P.P. Conc. Dk. Bm. 27" Dp.	1488 Sq. Ft.
Steel Railing	124 Ft.

NOTES

- After beams have been erected, holes shall be drilled into substructure and anchor dowels placed. Dowel holes shall be filled with non-shrink grout to top of beam and allowed to cure min. 24 hrs. prior to grouting the shear keys.
- Longitudinal keys shall be grouted.
- The 1" ϕ rods in the transverse tie assembly shall be tightened to a snug fit and the threads set. Pockets that receive transverse tie bar outside shall be filled with grout after transverse tie assembly is in place.

AECOM <small>2524 S. Broadway Salem, Illinois 62881 618.548.3500 IL Design Firm Reg. No. 184-003708 www.aecom.com</small>	SLM-CS-2427-62 P.P.C. DECK BEAM SUPERSTRUCTURE
	24' ROADWAY 27" BEAMS 61.0' SPAN - 0° SKEW
Date: 07/27/09 Design: MRQ Drawn: BLT Job No.: 200804643	