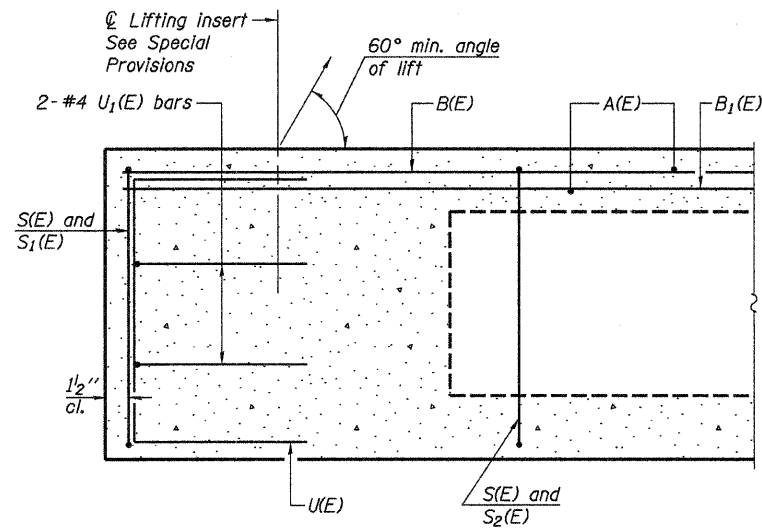
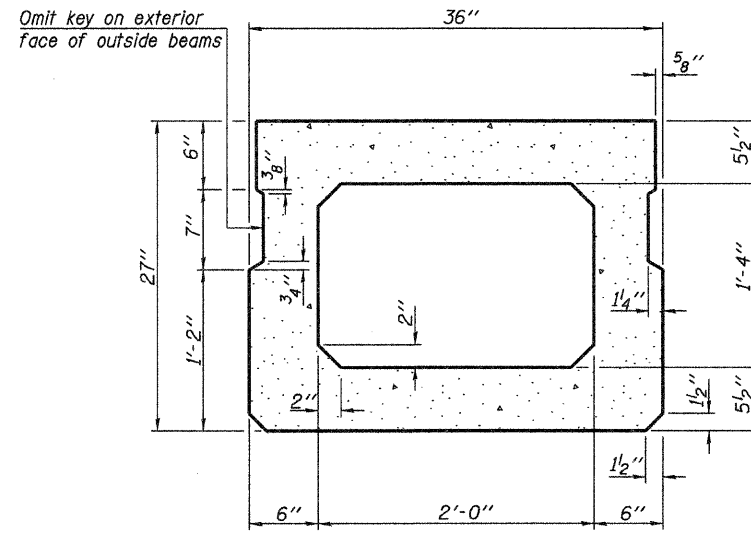


ROUTE NO.	SECTION	COUNTY	TOTAL SHEETS	SHEET NO.
TR 512	08-08123-00-BR	FAYETTE	14	6
FED. ROAD DIST. NO.	ILLINOIS	PROJECT		

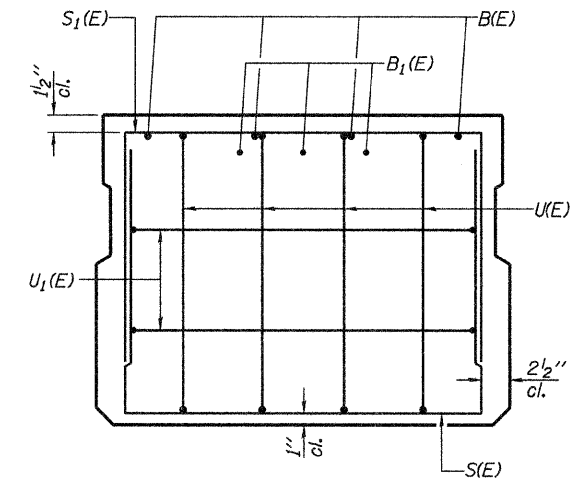
CONTRACT NO. 95595



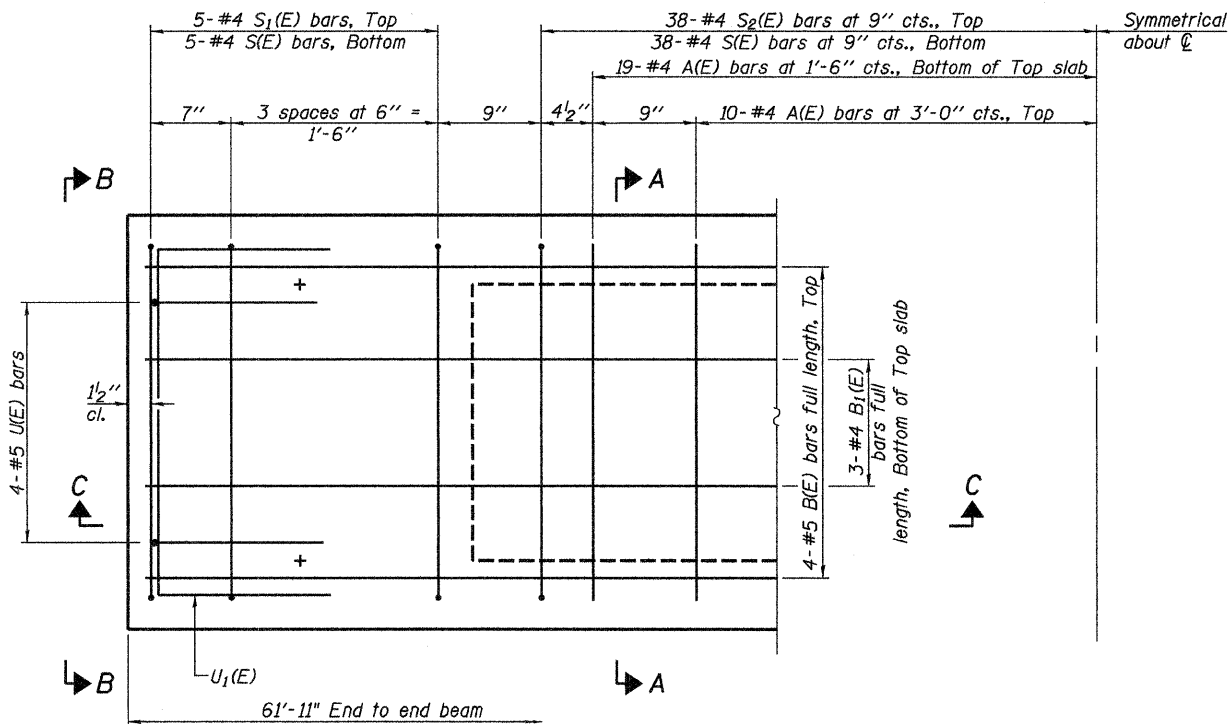
SECTION C-C



SECTION A-A  
(Showing dimensions)

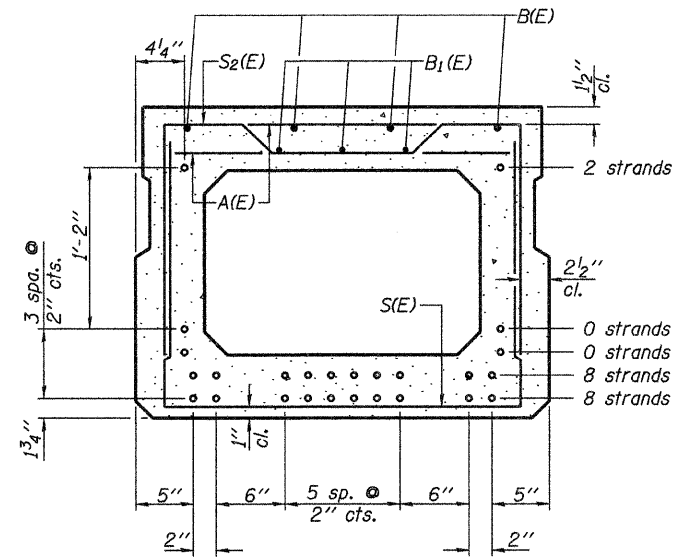


VIEW B-B



PLAN VIEW

Note: Spacing of S(E) and S<sub>2</sub>(E) bars may be adjusted up to 4" in the immediate area of the transverse tie diaphragms to miss the block outs for the transverse ties.



SECTION A-A

(Showing reinforcement and permissible strand locations)

Note: Place the number of strands specified in each row symmetrically about the centerline of beam in the permissible strand locations shown.

Strands: 18 - 1/2" φ strands.

BAR LIST  
ONE BEAM ONLY

(For information only)

Bar	No.	Size	Length	Shape
A(E)	58	#4	2'-7"	—
B(E)	4	#5	61'-8"	—
B <sub>1</sub> (E)	3	#4	61'-8"	—
S(E)	86	#4	6'-5"	⌊
S <sub>1</sub> (E)	10	#4	5'-11"	⌊
S <sub>2</sub> (E)	76	#4	6'-2"	⌊
U(E)	8	#5	4'-6"	⌊
U <sub>1</sub> (E)	4	#4	5'-0"	⌊

Note: See sheet SLM-PD-2736-0D for additional details. See sheet SLM-CS-2427-62 for Bill of Material.

<b>AECOM</b> <small>2524 S. Broadway Salem, Illinois 62661 618.648.3500</small> <small>IL Design Firm Reg. No. 184-003708 www.aecom.com</small>	<b>SLM-PD-2736-0</b> <b>P.P.C. DECK BEAM</b> <b>DETAILS AND SECTIONS</b>
	<b>24' ROADWAY</b> <b>27" x 36" BEAMS</b> <b>0° SKEW</b>
Date: 07/27/09 Design: MRQ Drawn: BLT Job No.: 200804643	